



# INSTRUMENT / CONTROL TRANSFORMER Product Catalogue



**SR ELECTRICAL Co.**

<http://www.srelectricals.co.in>

ISO 9001:2008 Certified Company

## SR ELECTRICAL Co.

### SPECIALITY TRANSFORMERS

#### **TOROIDAL TRANSFORMERS:** ADVANCE SOLUTION TO SPACE PROBLEM

Low weight, less noise & reduced Physical dimensions.

Low exciting current and better accuracy.

Resin cast version also available.

#### **APPLICATION**

For Medical Equipments, UPS, System, Control Panels, Voltage stabilizer, Adaptors, Power Suppliers, Industrial Lighting.

We also manufacture Customer Designed Transformer for special applications.

#### **SINGLE & THREE PHASE TRANSFORMER :** FOR VAROUSE INDUSTRIAL APPLICATION

Control Transformer Auto Transformer

Charger Transformer Power Transformer

Invertors Transformer Isolation Transformer

For Instrument Transformers details please see further pages.



## BK (DK) Series control Transformer



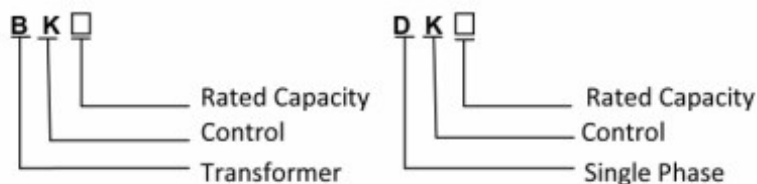
### ❖ SPHERE OF APPLICATIONS:-

BK (DK) Series machine tool control transformer (hereinafter referred to as transformer) is applied to AC 50~60Hz Voltage to 500V, circuit it is often used as a machine tool control local lighting and light electric Power use.

### ❖ STRUCTURE:-

BK (DK) Series machine tool transformer can be classified according to structure, shell according to Installation method can be divided into vertical.

### ❖ TYPE & MEANINGS:-



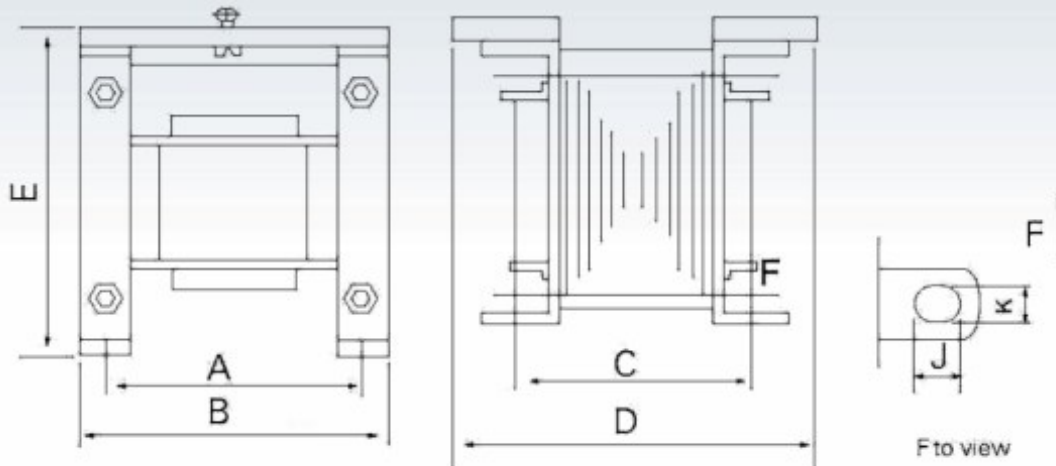
### ❖ WORKING CONDITION :-

The ambient air temperature of  $-5^{\circ}\text{C}$  to  $+40^{\circ}\text{C}$  24-hour average does not exceed  $+35^{\circ}\text{C}$  the installation site Altitude of no more than 2000m, atmospheric relative humidity in the ambient air temperature is  $+40^{\circ}\text{C}$  less Than 50% at lower temperature can have a higher relative humidity the wet months of monthly average Maximum humidity of 90% while the monthly average minimum temperature is  $+25^{\circ}\text{C}$  and taking into account Changes in temperature occurred in the product condensing on the surface.



## BK (DK) Series control Transformer

### ❖ SHAPE & MOUNTING DIMENSION:-



Model	Shape dimension			Installation dimensions		Mounting holes	
	B max	D max	E max	A	C	K	J
BK-50V	78	70	90	56	50	5	12
BK-100VA	96	80	110	85	60	6	12
BK-150VA	108	95	110	78	72	6	12
BK-200VA	112	102	120	78	77	9	11.5
BK-250VA	115	115	125	90	90	9	11.5
BK-300VA	115	125	120	90	98	9	11.5
BK-400VA	132	125	130	100	105	9	11.5
BK-500VA	132	132	130	100	117	9	11.5
BK-700VA	150	135	155	120	125	9	11.5
BK-1000VA	150	155	155	120	125	9	11.5
BK-1500VA	175	190	190	145	145	9	11.5
BK-2000VA	175	210	190	145	165	9	11.5

### ❖ NOTICE:-

1. Buy before good estimates of the total capacity of the electrical appliances you use the same transformer Capacity to ensure that when you do not burn transformer instantaneous start.
2. The transformer specifications according to be national standard of design and production, when you use The multi-winding (multi control voltage) transformer, the capacity should be compared with a corresponding increase in voltage transformer Capacity so as not to burn out transformers.
3. Pre-installation should be carefully checking the data nameplate set forth in compliance with you request to Confirm correct only after the installation.
4. Electricity work the transformer core and coil to heat (but the temperature does not exceed 80°C and even smoke they should cut off the power switch re-check your electrical appliances used in capacity.)
5. In the transport as far as possible to avoid collisions not damp use please note that maintenance to ensure that transformer life.
6. According to user requirement of special transformer customized products product size would be changed or according to user Requirements through consultation.

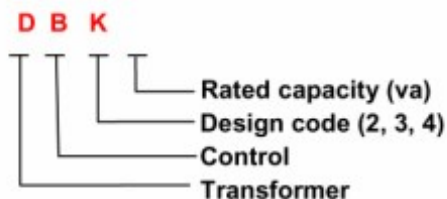
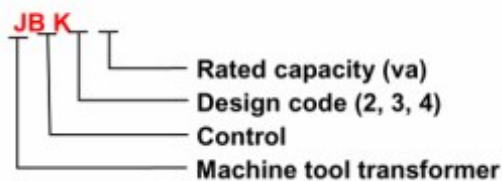
## JBK (DBK) Series machine control Transformer



### ❖ SPHERE OF APPLICATION:-

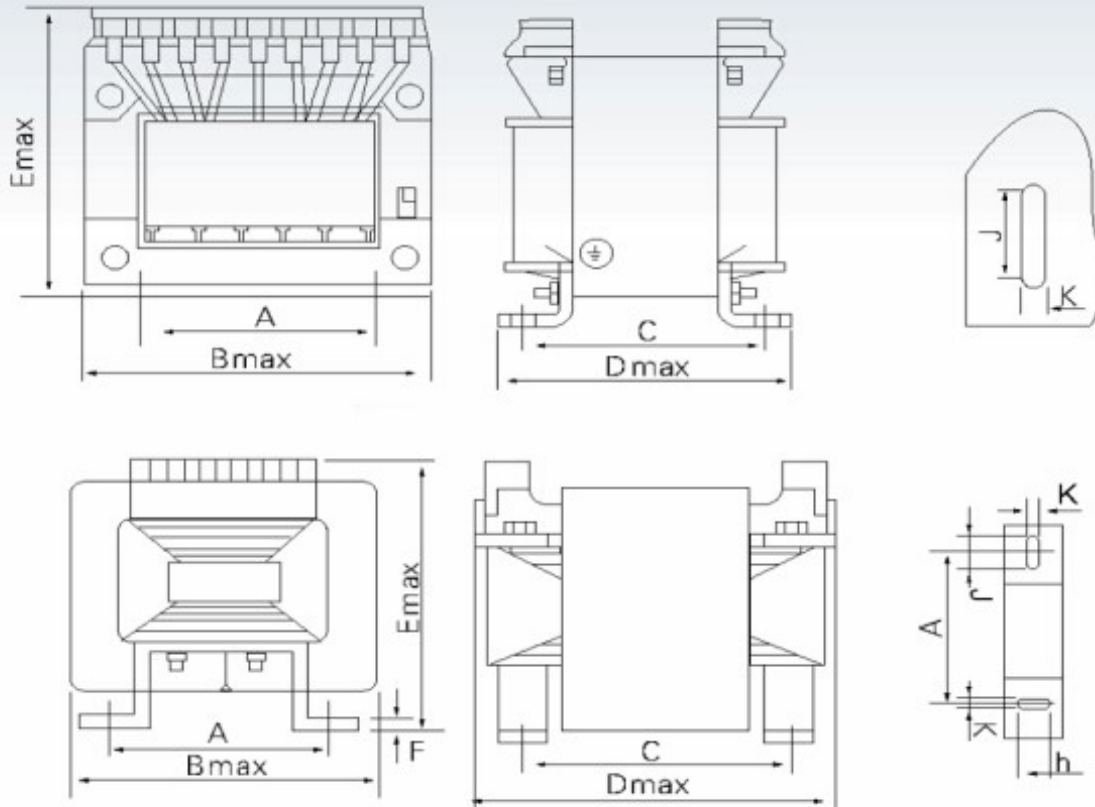
The JKB series machine tool under the control of transformer applies to 60Hz exchanging 50~, entering voltage does not exceed 660V circuit middle as general equipment under the Control of power source part illumination and the guiding light power source as machine Tool of all kinds machinery equipment the series transformer is the product that other control Transformer renovates and upgrades adopt entrance material and the advanced handicraft To carry out fabrication, have the energy working reliably consuming is low volume is small Safety serviceability working a telephone switchboard wait for a characteristic broadly.

### ❖ TYPE & MEANINGS:-



❖ **SHAPE & MOUNTING DIMENSION:-**

**JBK (DBK) Series machine control Transformer**



❖ **JBK (DBK)Series product appearance and size:-**

Model	Shape dimension			Installation dimensions		Mountingholes	
	B	D	E	K	J	A	C
JBK3-40, 63VA	82	76	92	5		56	47
JBK3-100VA	86	90	98	5	9	64	65.5
JBK3-160VA	98	96	112	6	9	84	71.5
JBK3-250VA	98	110	112	6	9	84	85
JBK3-400VA	122	112	130	8	9	90	90
JBK3-630VA	152	110	150	8	14	122	85
JBK3-1000VA	200	165	150	7	14	158	145
JBK3-1600VA	225	185	155	7	14	185	155
JBK3-2500	265	210	175	7	14	210	175



## JBK5 Series machine control Transformer



### ❖ SPHERE OF APPLICATIONS:-

The JBK5 Series machine tool under the control of transformer is that my company introduces the most Late-model transformer of Germany nineties medium term series, on domestic JBK3 series machine tool Under the control of transformer basis, by that absorbing the product of abroad of the same kind for year Further, that excellent together selections abroad the advanced method terminals son structure, will hold You and the framework congregates together makes protection wait for rise to arrive IP2LX prevents from Happening to touch a circuit. Adopt domestic IT cold pressing terminals son, the mode of connection can Make connection concentrated degree rise. Between transformer silicon sheet and silicon sheet linkup Silicon sheet and bottom board linkup has adopt the argon arc - welding bonding technology formed a Entirety, intelligibility simple and direct equally. Especially bottom board one time molding installation the JBK series is more accurate comparatively adopt anticorrosion high grade alloy material but, the reliability having improved the grounded function greatly, has raised product quality has gained European communities "CE" attestation in glory all round with but the product exchange usage abroad, the JBK5 series machine tool under the control of transformer applies to 60 Hz exchanging 50~ entering voltage does not exceed 500V fixed voltage outputting does not exceed 220V as mechanical all professions and trades equipment general electrical equipment under the control of power source and use of job the Signal lamp power source.

## JBK5 Series machine control Transformer

### ❖ SHAPE & MOUNTING DIMENSION:-

Model	Shape dimension			Installation dimensions		Mounting holes	F max	Note
	B max	D max	E max	A	C			
JBK5-40,63	78	72	90	56 ± 0.15	46 ± 0.125	4.6	1.5	
JBK5-100	85	75	96	64 ± 0.15	62 ± 0.15	4.6	1.5	
JBK5-160	96	92	105	84 ± 0.175	73.5 ± 0.15	5.5	1.5	
JBK5-250	96	100	104	84 ± 0.175	85 ± 0.175	5.5	1.5	
JBK5-400	120	100	122	90 ± 0.175	85 ± 0.75	5.8	2	
JBK5-630	150	110	140	122 ± 0.2	90 ± 0.175	5.8	2	
JBK5-800	150	128	142	122 ± 0.2	105 ± 0.2	7	2	
JBK5-1000	150	190	142	126 ± 0.2	155 ± 0.2	7	3	
JBK5-1600	170	225	153	140 ± 0.2	176 ± 0.2	7	4	
JBK5-2500	194	160	165	172 ± 0.2	195 ± 0.23	7		

### ❖ MAIN TECHNOLOGY PARAMETRIC :-

Model	(VA) The rated capacity (VA)	Efficiency (%)	Signal winding (%)	Control around Group (%)	Signal winding (%)	Control around Group (%)	Rated input Voltage (V)	Rated output Voltage (V)	Note
JBK5-40	40	80	5 < Um ≤ 6	95%~105 %UH	6 or 12	1.1Um	AC380 ± 5%	AC220 (127) control making	The winding capacity according to the distribution User requirements
JBK5-63	63							110	
JBK5-100	100							110	
JBK5-160	160	85	10 < Um ≤ 12				AC220 ± 5%	48 Lighting of control	
JBK5-250	250							35	
JBK5-400	400							24	
JBK5-630	630	90	4.5 < Um ≤ 6					12 Signal	
JBK5-800	800							6	
JBK5-1000	1000								
JBK5-1600	1600								
JBK5-2500	2500		9 < Um ≤ 12						

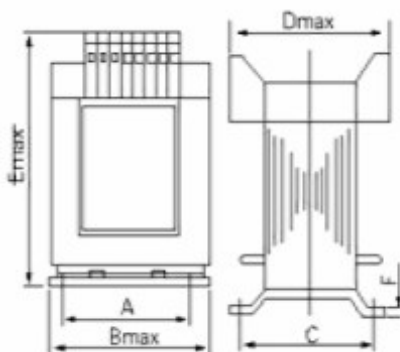


图1 JBK5-40-800 JBK5-1000-1600 立式(vertical)

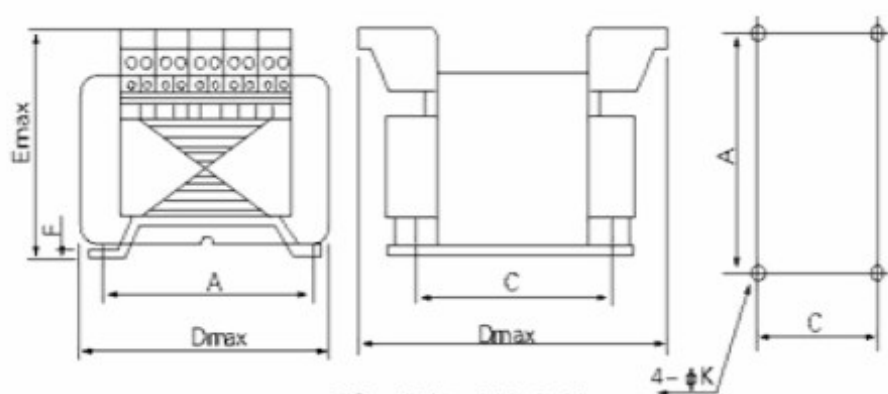


图2 JBK5-1000-2500



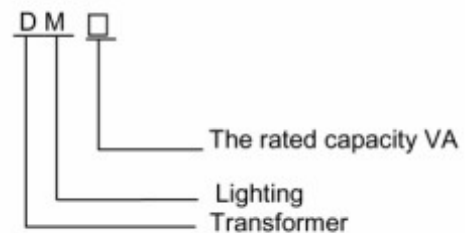
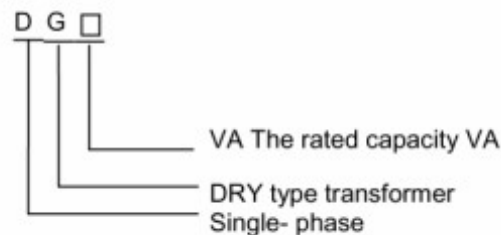
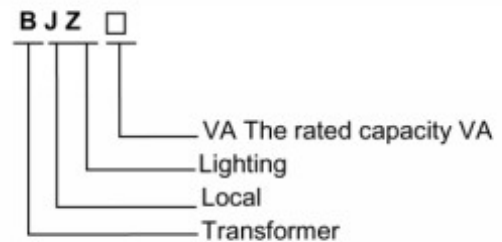
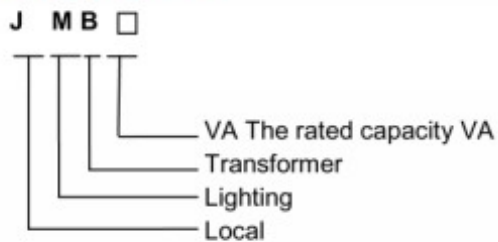
## JMB BJZ, DG, BZ,(DM) Series 12/24VAC, Lighting Control Transformer



### ❖ APPLICATION & STRUCTURE:-

JMB, BJZ, DG, BZ Series illumination Transformer for AC 50Hz, Voltage 500V and below the circuit Machine tools and other equipment as a local lighting supply. JMB BJZ DG Series of transformer by The BK series of transformers and protective shell on both sides have for the input supply and load Wiring terminal used and are used for grounding the grounding screw. BZ lighting transformer is a BK-50, BK-100 Control transformer LS3-2 type main switch and the composition of the protective Housing, in the main switch is equipped with a fuse for the protection of lighting circuit power supply From the main switch is equipped with one end of the film at introduction of dust through the main Switch to connect and breaking lights.

### ❖ TYPE & MEANINGS:-

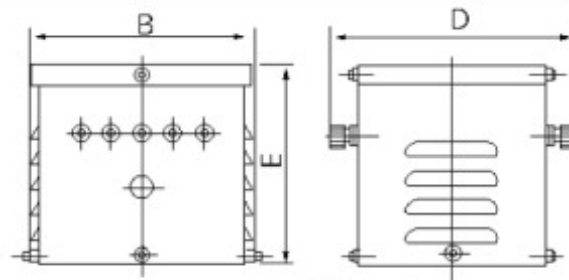


## JMB BJZ, DG, BZ,(DM) Series 12/24VAC, Lighting Control Transformer

### ❖ SHAPE & MOUNTING DIMENSION:-

JMB (BJZ, DG) Product appearance and installation dimension are shown in table 1, figure 1

Model	Primary voltage (V)	Secondary voltage(V)	Shape dimension		
			B	D	E
JMB (BJZ, DG)25VA	220, 380 Or according To use and Jehu demand fixed	6.3, 12, 24, 36 110, 127, 220,380, Or according To use and Jehu demand fixed	145	160	120
JMB (BJZ, DG)50VA			145	165	120
JMB (BJZ, DG)100VA			145	165	120
JMB (BJZ, DG)150VA			165	155	130
JMB (BJZ, DG)200VA			165	155	130
JMB (BJZ, DG)250VA			175	200	150
JMB (BJZ, DG)300VA			175	200	150
JMB (BJZ, DG)400VA			205	230	170
JMB (BJZ, DG)500VA			205	230	170
JMB (BJZ, DG)700VA			220	285	180
JMB (BJZ, DG)1000VA			220	285	180
JMB (BJZ, DG)1500VA			260	320	220
JMB (BJZ, DG)2000VA			260	320	220
JMB (BJZ, DG)3000VA			260	360	240
JMB (BJZ, DG)5000VA			365	350	280



↑ figure 1

Model	The rated capacity (VA)	Primary voltage (V)	Secondary Voltage (V)	Shape dimension (B x D x E)	Mounting holes
BZ-50H	50	380/220	12, 24, 36	118x212x92	Φ 6.5
BZ-100H	50	380/220	12, 24, 36	118x212x104	Φ 6.5

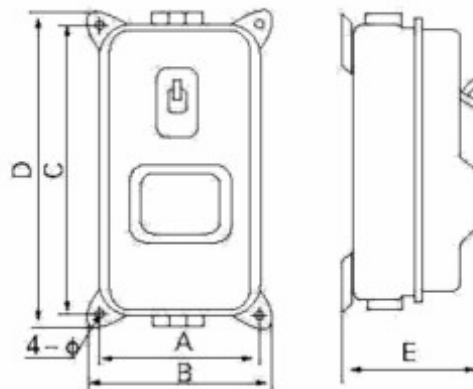


figure 2

**QC Series mine transformer, BZ80 electric coal drill composite device transformer**

❖ **Applications:-**

Electric rating: AC50Hz, up to 1140V, up to 500VA, Application: Widely used for the power Of the partial lighting and signal equipment in control circuit of Main explosion - proof Carbon power devices.



QC815



QC810



KL QC83

**BZ80, ZZ8L, KSGZ Series Electric Coal drill composite device transformer**



2.5kVA



4kVA

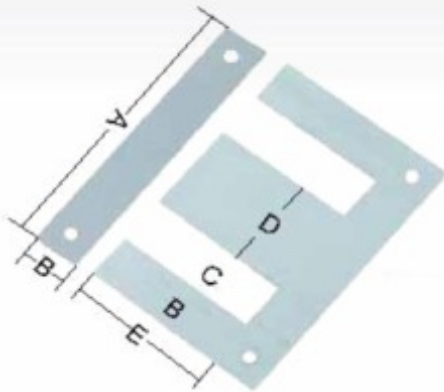


## Silicon steel sheet, coil skeleton, folder parts, terminals

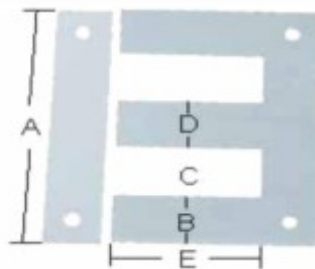
### ❖ Overview:-

Professional production and sales of a variety of single – phase, three – phase transformer silicon steel sheet, coil skeleton, Folder parts, terminals and other accessories special specification to map making.

### ❖ Shape and size of silicon steel sheet:-



Single piece specifications



Three photos specifications

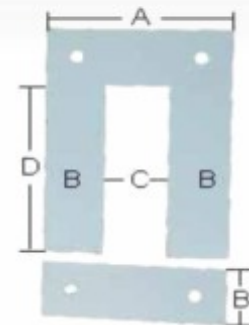


Figure door piece specifications

### ❖ Single Photo Size:-

Code No.	A (length)	B (edge width)	C (open)	D (tongue)	E (Windows)
E26	78.00	13.00	13.00	26.00	39.00
E28	84.00	14.00	14.00	25.00	42.00
E32	96.00	16.00	16.00	32.00	48.00
E34	102.00	17.00	17.00	34.00	51.00
E38	114.00	19.00	19.00	38.00	57.00
E40	120.00	20.00	20.00	40.00	60.00
E44	132.00	22.00	22.00	44.00	66.00
E50	150.00	25.00	25.00	50.00	75.00
E54	162.00	27.00	27.00	54.00	81.00
E57	171.00	28.500	28.500	57.00	85.00
E64	192.00	32.00	32.00	64.00	96.00
E76	228.00	38.00	38.00	76.00	114.00
E80	240.00	40.00	40.00	80.00	120.00
E90	270.00	45.00	45.00	90.00	135.00
150.0E100	300.00	50.00	50.00	100.00	150.00
E12015	360.00	60.00	60.00	120.00	180.00

## Silicon steel sheet, coil skeleton, folder parts, terminals

### ❖ Three photo Size:-

Code No.	A (length)	B (edge width)	C (open)	D (tongue)	E (Windows)
38	190	38	38	38	95
40	200	40	40	40	100
44	220	44	44	44	132
50	250	50	50	50	150
50	250	50	50	50	125
60	300	60	60	60	150
60	300	60	60	60	180

### ❖ Door-Shaped piece Size:-

Code No.	A (length)	B (edge width)	C (open)	D (Windows)
U138	114	38	38	114
U144	132	44	44	132
U150	150	50	50	150
U160	180	60	60	180

### ❖ Transformer Coil skeleton:-



### ❖ Transformer Core Folder parts:-



### ❖ Transformers Terminals:-



## Technological Innovation Energy Saving



MFD. BY:-  
S.R.ELECTRICAL Co.  
554, Old Masuda Road, Outside Suraj Pole Gate  
Bewar-305901 Dist.:- Ajmer (RAJ.) INDIA  
Tele-fax: +91-1462-257089  
Mob. : +91-9314488145, 9414259154, 9214882502  
E-mail: [srelctbwr2000@yahoo.co.in](mailto:srelctbwr2000@yahoo.co.in), [srelctbwr2000@gmail.com](mailto:srelctbwr2000@gmail.com)  
Webmail: <http://www.srelectricals.co.in>

