

## Woltmann Type Water meter (HOT & COLD) Size 50mm to 500mm

### Working Principal

Woltmann meter measure the velocity of the water flowing with the help of a Turbine .The volume is mechanically calculated, through the know section area and indicated with the roller counter in cubic meter. The unique form of the "paddle wheels" enable the Woltmann meter to cover a very large measuring ranges with especially low head loss. Aside from their construction for high flow rate, they also reliably start measuring with small water quantities.

In the horizontal axis Woltmann meters, the turbine shaft is arranged parallel to the axis of the principal. The rotation of the turbine is transmitted through a worm gear to the counter.

### Features

- Cold water 0°-50°C
- Hot water 0°-90°C
- Max working pressure 16 bar
- Mechanical transmission
- Direct reading by numerical rolls.
- Low Head Loss
- Sensitive against low flow
- Accuracy very high
- Seal Against Tempering
- Removable mechanism, easy maintenance.



### Woltmann Water meter

Standard

### Availability

- Hot Water meter (up to -120deg)
- Pulse Output (1Lt per pulse up to 100 Lt per pulse.)
- Digital Water Meterwith electronic Display.
- Digital Display with battery powered. (for 5 year)
- Water Meter with Data logger.
- **Conforms to ISO-4064.Class B**

Woltmann Type Water meter

# ZEST ENGINEERING

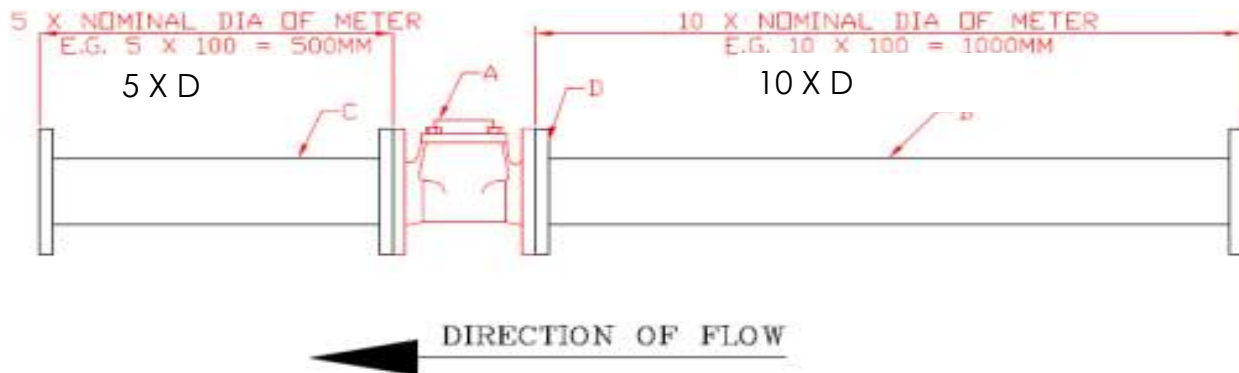
## Selection Procedure

Type	Meter Size	Class	Overload Flow $q_s$	Nominal Flow $q_p$	Transitional Flow $q_t$	Min Flow $q_{min}$	Min Reading	Max Reading
	mm		$M^3/h$				$M^3$	
ZE-50A	50	A	30	15	4.5	1.2	0.001	999.999
		B			3	0.45		
ZE-60A	60	A	50	25	7.5	2	0.01	999.999
		B			5	0.75		
ZE-80A	80	A	80	40	12	3.2	0.01	999.999
		B			8	1.2		
ZE-100A	100	A	120	60	18	4.8	0.01	999.999
		B			12	1.8		
ZE-125A	125	A	200	100	30	8	0.01	999.999
		B			20	3		
ZE-150A	150	A	300	150	45	12	0.01	999.999
		B			30	4.5		
ZE-200A	200	A	500	250	75	20	0.01	999.999
		B			50	7.5		
ZE-250A	250	A	800	400	120	32	0.01	999.999
		B			80	12		
ZE-300A	300	A	1200	600	180	48	0.1	9.999.999

## FLANGED DELTALIS

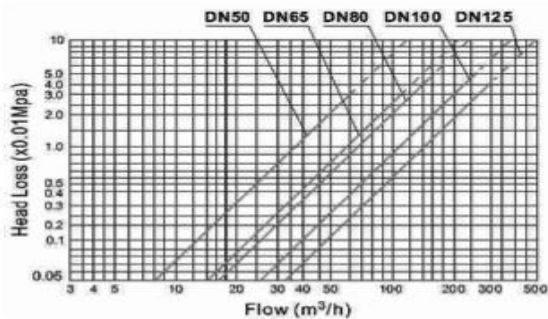
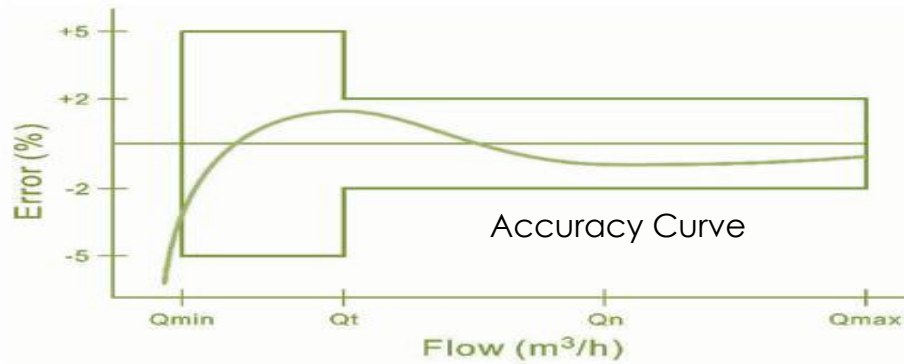
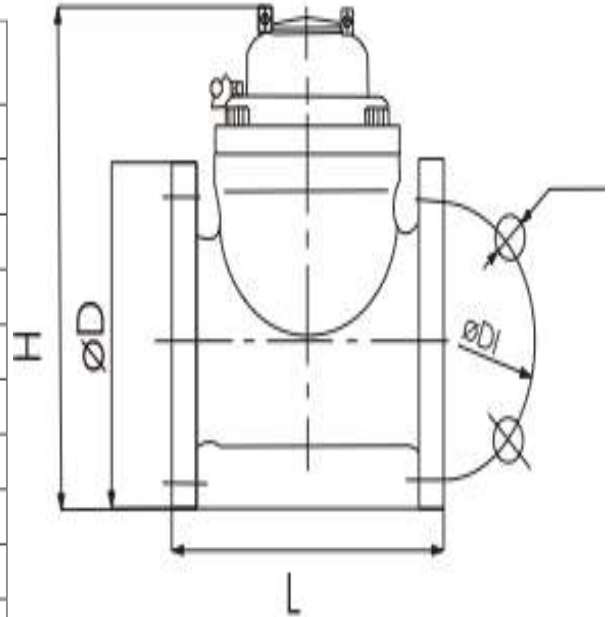
Size Of meter (mm)	Pitch center dia (mm)	Hole dia (mm)	Number of hole	Flange (Outer Dia)
				(mm)
50	125	16	4	165
65	145	16	4	185
80	160	19	8	200
100	180	19	8	220
150	240	22	8	285
200	295	22	8	340
250	355	24	12	395
300	410	24	12	445
400	515	24	16	565
500	620	24	20	670

### Installation Diagram



## METER DIMENSION

SIZE (mm)	Length(mm)	Height(mm)	Weight (Kg)
50	200	230	10.5
65	200	240	12.5
80	225	250	15.5
100	250	260	19
150	300	325	31
200	350	350	46.4
250	450	470	94
300	500	490	114.5
400	600	631	199
500	800	740	340



## HEAD LOSS

