

DH-SD6582/6582A-HNI

2Mp CMOS Full HD Intelligent Auto-Tracking Network PTZ Dome Camera



Features

- 4.7mm ~ 94.0mm(20x)optical zoom
- H.264 & MJPEG dual-stream encoding
- Max 25/30fps@1080p resolution
- WDR(DWDR), Day/Night(ICR), DNR (2D&3D),Auto iris, Auto focus, AWB, AGC,BLC
- Multiple network monitoring: Web viewer, CMS(DSS/PSS) & DMSS
- Max 400 °/s pan speed, 360° endless pan rotation
- Up to 255 presets, 5 auto scan, 8 tour, 5 pattern
- Built-in 7/2 alarm in/out
- Support intelligent 3D positioning with DH-SD protocol
- Micro SD memory, IP67, easy installation

DH-SD6582/6582A-HNI

Intelligent Function

- **Auto-tracking**

Support three auto-tracking modes: single-scene, multiple-scene and panorama-scene.



- **IVS (Intelligent Video Surveillance)**

Tripwire, Cross Warning Zone, Perimeter Protection, Loitering Detection, Abandoned Object Detection, Missing Object Detection, Illegal Parking, Fast Moving and etc.

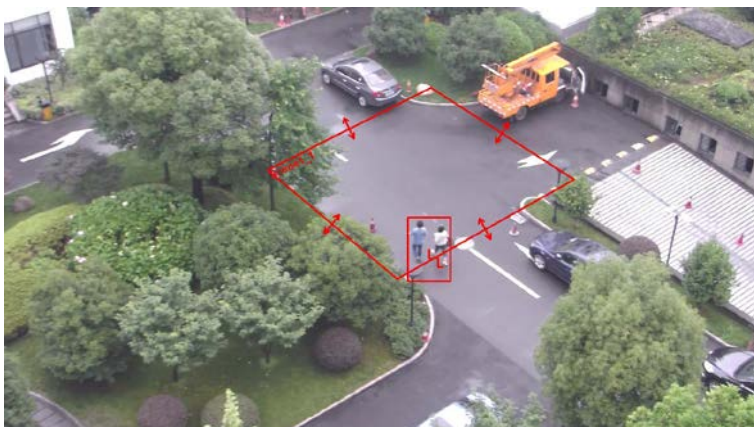
- > **Tripwire**

Detect the object crossing the tripwire.



- > **Cross Warning Zone**

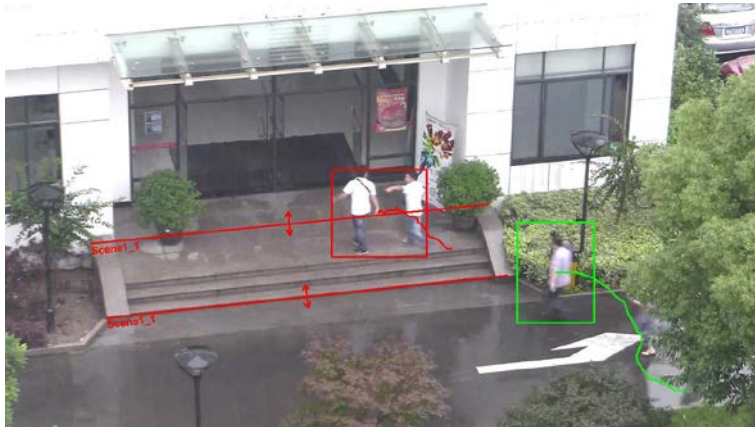
Detect the moving object crossing the specified zone or in the specified zone.



- > **Perimeter Protection**

Detect the object crossing the perimeter.

DH-SD6582/6582A-HNI



> **Loitering Detection**

Detect the object stays in the specified zone than the set time.



> **Abandoned Object Detection**

Detect any abandoned object in the specified zone.



> **Missing Object Detection**

Detect any missing object in the specified zone.

DH-SD6582/6582A-HNI



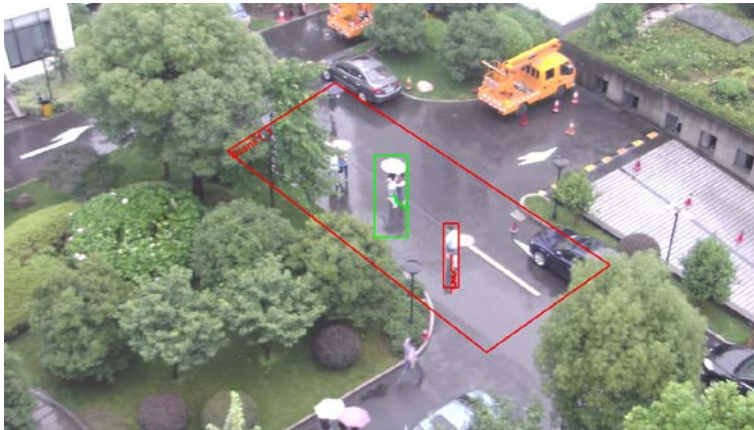
> **Illegal Parking**

Detect any illegal parking event in the specified zone.



> **Fast Moving**

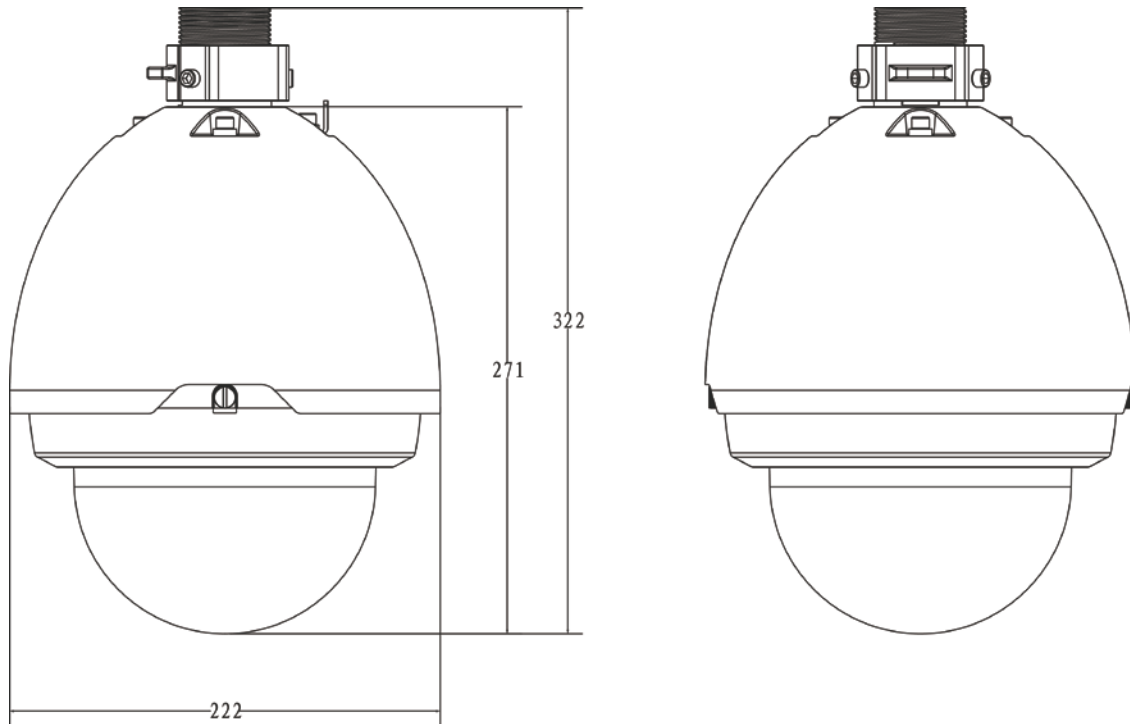
Detect any fast moving object in the specified zone.



- Support manual/auto tracking triggering, trigger events include Targeting, Zoom, Tracking, Recording, Snapshot, Alarm and etc.

DH-SD6582/6582A-HNI

Dimensions (mm)



DH-SD6582/6582A-HNI

Technical Specifications

Model	DH-SD6582-HNI	DH-SD6582A-HNI
Camera		
Image Sensor	1/3" Exmor CMOS	
Effective Pixels	1944(H) x 1092(V), 2 Megapixels	
Scanning System	Progressive	
Electronic Shutter Speed	1/1 ~ 1/10,000s	1/1 ~ 1/30,000s
Min. Illumination	Color: 0.5 lux@F1.6 B/W: 0.095 lux@F1.6	Color: 0.05Lux@F1.6 B/W: 0.005Lux@F1.6
S/N Ratio	More than 50dB	
Video Output	BNC(1.0Vp-p/75Ω), PAL / NTSC	
Camera Features		
Day/Night	Auto(ICR) / Color / B/W	
Backlight Compensation	BLC / HLC / WDR	BLC / HLC / DWDR (Digital WDR)
White Balance	Auto, ATW, Indoor, Outdoor, Manual	
Gain Control	Auto / Manual	
Noise Reduction	2D / 3D	
Privacy Masking	Up to 24 areas	
Digital Zoom	12x	16x
Lens		
Focal Length	4.7mm ~ 94.0mm(20x Optical zoom)	
Max Aperture	F1.6 ~ F3.5	
Focus Control	Auto / Manual	
Angle of View	H: 58.2° ~ 2.9°	H: 55.4° ~ 2.9°
Close Focus Distance	10mm ~ 800mm	10mm ~ 1000mm
PTZ		
Pan/Tilt Range	Pan: 0° ~ 360° endless; Tilt: -2° ~ 90°, auto flip 180°	
Manual Control Speed	Pan: 0.1° ~ 300°/s; Tilt: 0.1° ~ 250°/s	
Preset Speed	Pan: 400°/s; Tilt: 300°/s	
Preset	80(DH-SD), 255(Pelco-P/D)	
PTZ Mode	5 Pattern, 8 Tour, Auto Pan, Auto Scan	
Speed Setup	Human-oriented focal length/ speed adaptation	
Power up Action	Auto restore to previous PTZ and lens status after power failure	
Idle Motion	Activate Preset/Pan/Scan/Tour/Pattern if there is no command in the specified period	
Time Task	Auto activation of Preset/Pan/Scan/Tour/Pattern by preset-time	
Protocol	DH-SD, Pelco-P/D (Auto recognition)	
Video		
Compression	H.264 / MJPEG	
Resolution	1080P(1920×1080) / 720P(1280×720) / D1(704×576/704×480) / CIF(352×288/352×240)	
Frame Rate	Main Stream	1080P/720P(1 ~ 25/30fps)

DH-SD6582/6582A-HNI

	Sub Stream	D1/CIF(1 ~ 25/30fps)
Bit Rate		H.264: 56K ~ 8192Kbps, MJPEG: 56K ~ 20480Kbps
Audio		
Compression		G.711a / G.711u (32kbps) / PCM (128kbps)
Interface		1/1 channel In/Out
Intelligent Function		
Auto Tracking		Single-scene, multiple-scene, panorama-scene
IVS		Tripwire, Cross Warning Zone, Perimeter Protection, Loitering Detection, Abandoned Object Detection, Missing Object Detection, Illegal Parking, Fast Moving and etc.
Tracking Trigger Mode		Manual / Auto (alarm triggered)
Tracking Trigger Event		Targeting, Zoom, Tracking, Recording, Snapshot, Alarm and etc.
Network		
Ethernet		RJ-45 (10/100Base-T)
Protocol		IPv4/IPv6, HTTP, HTTPS, SSL, TCP/IP, UDP, UPnP, ICMP, IGMP, SNMP, RTSP, RTP, SMTP, NTP, DHCP, DNS, PPPOE, DDNS, FTP, IP Filter, QoS, Bonjour
ONVIF		ONVIF Ver. 2.0 conformance
Max. User Access		20 users
Smart Phone		iPhone, iPad, Android, Windows Phone
Auxiliary Interface		
Memory Slot		Micro SD, Max 32GB
RS485		1
Alarm		7/2 channel In/Out
General		
Power Supply		AC 24V/3A (±10%)
Power Consumption		12W, 25W(Heater on)
Working Environment		-40°C ~ 60°C / Less than 90% RH
Protection Level		IP67, IK10 optional
Dimensions		Φ222(mm) x 322(mm)
Weight		5.0kg

Dahua Technology Co., Ltd.

1187 BinAn Road, Binjiang District, Hangzhou, China

Tel: +86-571-87688883

Fax: +86-571-87688815

Email: overseas@dahuatech.com

www.dahuatech.com

*Design and specifications are subject to change without notice.

© 2012 Dahua Technology Co., Ltd.