

# Boschert Hydraulic Punching Machine Compact 1250x2000 Auto index

Single stations auto index for Revotool or Trumpf single tools size 1, 2 and 3



## STANDARD EQUIPMENT

- **Single tool stations capable to hold:**
  - Trumpf style single auto index station tools size 1, 2 or 3
  - All Trumpf style forming tools
  - All Boschert Revotools
- **28 tons** hydraulic punching force
- **High accurate punch guiding** system. The tool is fitted directly in the piston so no additional clearance like on turret machines. These feature warranty long tools live on punch and dies.
- **Smart auto clamp movement system.** Very fast set up of the clamps on the required position
- **2 height compensation clamps** (up to 4 possible)
- **Auto repositioning** up to 10 m for large sheets
- **Easy sheet loading** system: sheet lifting device 2 pneumatic cylinder to lift the sheets, so that it can be easily moved to the clamps without human handling
- Set of keys and instruction manuals
- Programmable stroke adjustment
- Multitalk Memory extension with **USB and LAN connection** for Labod control
- **Safety light guards** in front of the machine
- Free **movable programming console** in front of the machine
- **TFT colour screen** (vibration-proof)

- **Silence punch system** - reduce noise level
- Possibility to do **Forming, Beading, Marking and Bending**
- Table surface with **brushes** for scratch free sheets or **balls** for heavy material
- 100 % **Made in Lörrach - Germany**
- Technical versatility
- Very good price/performance ratio
- Many options to choose from

**Possible required accessories:**

- **1 die holder size I** for tools up to dia. 32 mm
- **1 die holder size II** for tools up to 76 mm
- **1 stripper holder** for steel stripper in case of thick material
- **1 punch adjustment unit** to fix the location of the forming punch with the adjustment ring

Die holders



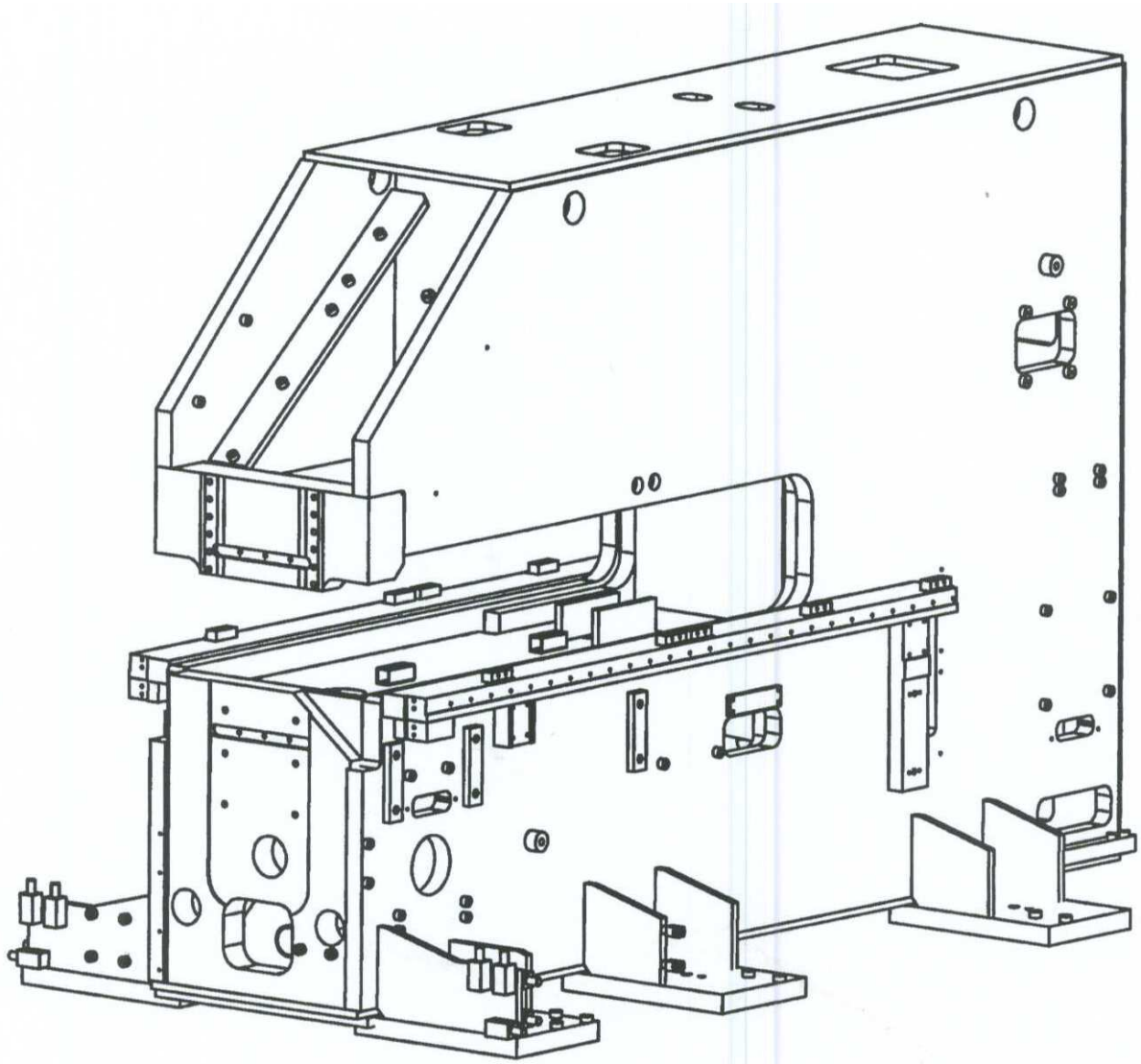
**Possible Revotools to use:**

- Boschert auto index 8-way Revotool up to dia. 16 mm
- Boschert auto index 7-way Revotool 6 x up to dia. 16 mm + 1 x 30x5 mm
- Boschert auto index 6-way Revotool up to dia. 20 mm
- Boschert auto index 4-way Revotool up to dia. 25 mm



Revotool 7-way

- **Stable and accessible.** The design principle of all Boschert machines is an open C frame, which makes both the machine and workpiece accessible from three sides. There is plenty of room for loading and unloading the machine – manually or automatically. The rigid machine frame and work table are highly stable which prevents inaccuracies.



#### Software features:

- Easy to use graphic software
- Programmable safety area. Possibility to enter the stripper size for small punches to allow being very close at the clamp.
- Stroke counter at every tool to check the tool live
- Regrind set up
- Very user - friendly

#### Optional:

- **Spray lubrication** system for longer tool live at nibbling requirements and use of Aluminium.
- **Tapping and drilling** attachment for threads M3 up to M12 and smaller drilled holes in thick sheets.
- **CNC CAD Software Metalix** allows external programming on office PC, capable of import/export CAD files (dxf/dwg).
- **Waste removal** suction system to prevent the slug to move up
- **Fast hydraulic system** (H&L) with low noise gear pump system and oil cooling

**Payment:**

30 % down payment after receipt of order

60 % before delivery

10 % after installation and commissioning, at the latest one month after delivery, or against irrevocable and confirmed Letter of Credit to be opened in our favour with

**Sparkasse Lörrach, Germany**

BIC/SWIFT SOLADES1LOE

Account No. 1022888

IBAN-No. DE41683500480001022888

**Warranty for machine:**

We are liable for defects excluding further demands according to our „General Terms and Conditions“. We guarantee quality and durability of the material as well as workmanship and irreproachable work of the machine for a period of 12 months respectively 2000 working hours after commissioning, whatever happens at first but not longer than 15 months after shipment, if shipping or commissioning have been delayed for reasons for which we are not responsible.

We do not take over responsibility for incorrect service, insufficient maintenance as well as for damages by force.

A demand on guarantee is only possible, if original spare and wear parts of Boschert are used.

We do not take over guarantee for wear parts like cutting torch, nozzles, sensing ring with cable and terminal on capacitive height sensor etc.

If after the commissioning and during the period of guarantee a plasma power source should be installed by the customer or a third person we have to refuse the guarantee too.

**To be provided by the customer for Boschert Multipunch:**

Concrete floor (recommended thickness 200 mm)

Compressed air connection – 6 bars

Primary power cable

Required power supply

**Ownership:**

The articles supplied by Boschert shall remain a property of Boschert until all its claims against the purchaser, including forthcoming ones, have been completely satisfied, all the same on which legal argument they are based.