

1st Floor, Above Bhairavnath Post Office,
Opp Pragati Society, Nr. Meera Cross Roads
Maninagar, Ahmedabad - 380028
Tele Fax : + 91-079-25431453, 8140179903

Website :- www.sspumpsindia.com, E-mail :- info@sspumpsindia.com.

SEAL LESS MAGNETIC DRIVE CHEMICAL PROCESS PUMP IN PP & PVDF CONSTRUCTION "MPMD" SERIES

➤ ABOUT MAGNETIC PUMP:-

Magnetic drive design eliminates the conventional method of shaft coupling. Hence the pump casing is fully sealed from drive end which gives away the use of conventional sealing system. There is no seal used and hence no troublesome seal repairing and replacement, leakage and production lost. Impeller and drive magnets are permanent rare earth magnets. They prevent slippage and ensure that full motor horsepower is converted into pumping power.

- All Pumps are rated for continuous duty with class "E" Insulation.
- All pumps are Centrifugal Semi-Open Impeller Type pumps and need priming before start up.
- SS-316 Magnetic pumps are available upto 5 HP

➤ ADVANTAGEOUS FEATURES

100% Leak Proof pumps due to magnetic drive arrangement. No shaft seal used which automatically solves problems of seal leakage and wear & tear. Friction free operation for reduced power consumption. High power permanent magnets ensure full power transfer and eliminates slippage. All pumping parts are Non-metallic, Which gives superior corrosion resistance, Simple and easy to operate and maintain. Long life, reliable and trouble free operation.

➤ APPLICATIONS & USER INDUSTRIES

Ideal for transfer of corrosive chemicals, plating chemicals, acids, dyes, solvents, toxic & fuming liquids, petrol, kerosene etc. Useful in chemical industries, pharmaceuticals and food processing industries. Electroplating, Galvanizing / Anodizing plants. Laboratory equipments and PCB plants. Medical equipments and X-Ray film plants. Textile Dyeing houses. Liquid dispensing machines and Chemical Filtration equipments. For hazardous duty conditions with flame proof motors. High Efficiency due to permanent magnet power coupling.

➤ RANGE

- Capacity:- from 10 LPM upto 750 LPM
- Head :- upto 40 mtrs.
- Material of Construction :- Poly Propylene Glass Filled, PVDF upto 110 Deg C & SS-316
- Operating Temp :- PP upto 80 deg C, PVDF upto 110 deg C
Special Pumps for high temperature upto 150°C and 250°C for SS-316

NOTE :- All PMD Magnetic Drive Pumps are available in Monoblock type only with Std TEFC motor and Flame Proof motors.



➤ **MATERIAL OF CONSTRCTION:-**

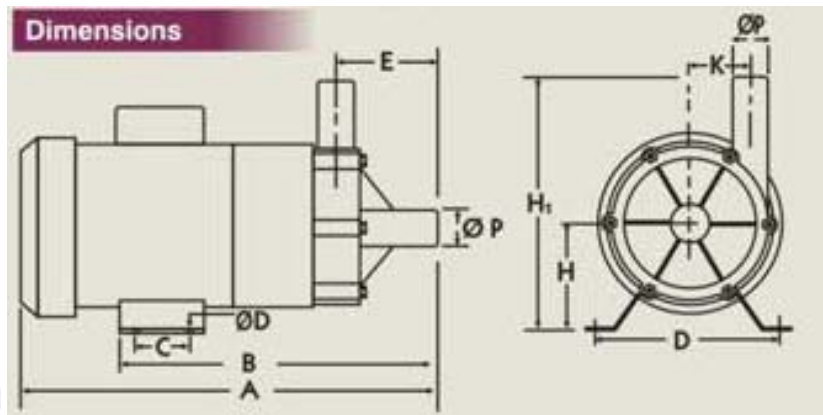
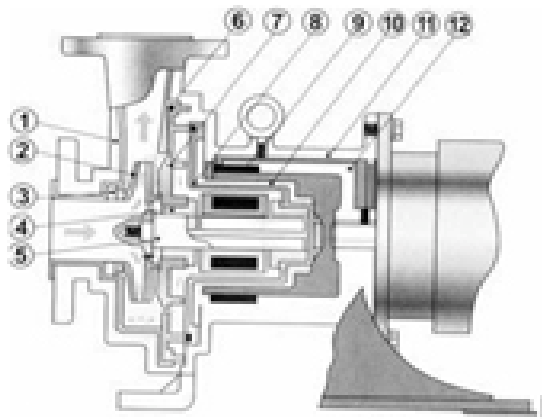
PART NAME	PP MOC	PVDF MOC
Suction casing & cover	GF-PP	PVDF
Impeller	GF-PP	PVDF
Impeller Shaft	High Alumina Ceramic	High Alumina ceramic / Hast Alloy
Bush	GFT / CFT	GFT / CFT
Thrust washer	High Alumina Ceramic	High Alumina Ceramic / Hasy Alloy
O Ring	Viton	Viton
Magnets	Permanent High power Rare Earth	
Mounting Bracket	Aluminum	Aluminum
Motor Body	Aluminum	Cast Iron

➤ **PUMP SPECIFICATIONS:-**

2900 RPM

PUMP MODEL	Input/Output SIZE	Maximum Capacity LPM	Maximum Head Mtrs.	Motor HP	Full Load Current	Phase	Specific Gravity Limit	Weight
MPMD-15	14 x 14 mm Nozzle	15	2.5	0.10 hp	0.15 Amps.	Single	1.1	3 kgs.
MPMD-30	18 x 18 mm Nozzle	30	4	0.16 hp	0.20 Amps.	Single	1.1	3.5 kgs,
MPMD-50	20 x 20 mm Nozzle	50	5	0.25 hp	0.50 Amps.	Single/Three	1.2	5 kgs.
MPMD-85	26 x 26 mm Nozzle	85	9	0.50 hp	1.00 Amps.	Single/Three	1.2	8 kgs.
MPMD-125	26 x 26 mm Nozzle	125	12	0.75 hp	1.25 Amps.	Single/Three	1.3	10 kgs.
MPMD-170	1" x 1" Bsp/Flanged	170	14	1.0 hp	1.70 Amps.	Three	1.3	12 kgs.
MPMD-300	1 1/2" x 1 1/4" Bsp / Flanged	300	22	1.5 hp	2.40 Amps.	Three	1.4	16 kgs.





CROSS SECTION DRAWING

DIMENSIONAL DRAWING

MODEL	A	B	C	D	E	H	H1	OP	OD	K	E
MPMD-15	240	145	41	110	125	61	112	14	9	29	41
MPMD-30	252	155	41	110	125	61	124	18	9	30	41
MPMD-50	292	174	41	110	125	64	139	20	9	35	57
MPMD-85	345	230	90	106	135	71	160	28	10	43	64
MPMD-125	375	244	100	126	160	80	172	28	10	45	66
MPMD-170	380	250	100	126	160	80	172	1"	10	45	50
MPMD-300	400	270	100	126	160	85	185	1 1/2" X 1 1/2"	10	58	57

