

Try to Dry

ANEST IWATA

NEW

Air cooling RoHS CE



Scroll Vacuum Pump

GVS -500
General Vacuum Scroll -501

Anest Iwata, pioneer of dry scroll pump, has developed general usage dry scroll vacuum pump!

We meet your needs!

Ultimate pressure
Noise
Maintenance

Dual inlet Vacuum NW joint and pipe thread

Multi volt motor available (option)



BECAUSE OF SCROLL

Water separator standard

Air flush standard available for vapor operation

High vacuum

250 Pa ultimate pressure. Keep good vacuum level for Long time operation.

Low noise

Orbiting movement makes soft noise. Available near work shop.

Long life

Only annual maintenance interval for Standard usage. 24 hours operation available!

Maintenance

After sales service network for all major market is available and one of our quality.

Air cooling

No need to change oil or cooling water because of air cooling system!

Applications

- Vacuum Chuck
- Vacuum Drying
- Vacuum Transport
- Vacuum Packing
- Vacuum Forming
- Gas Substitution
- Deaerator
- Leak Test

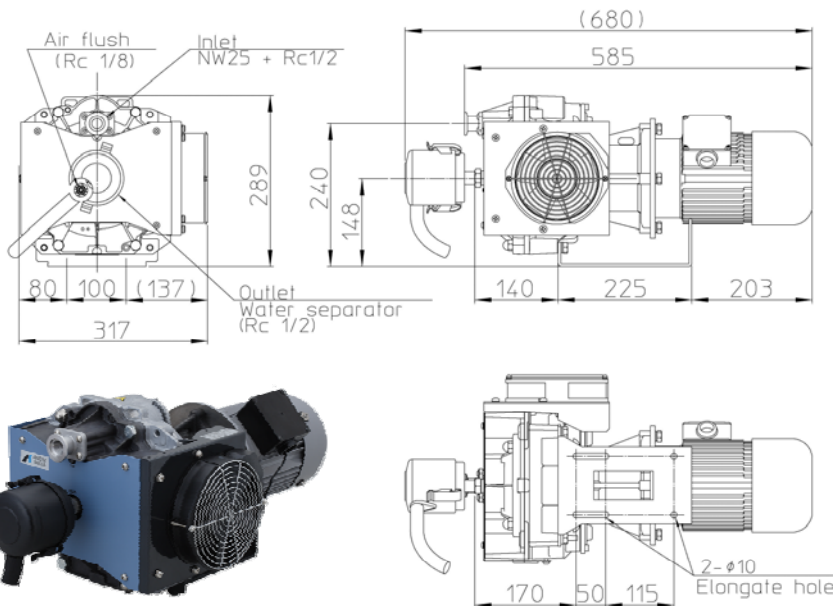
Product	Oil-free Scroll Vacuum Pump	
Model	GVS-500	GVS-501
Displacement	423 L/min(50Hz) 505 L/min(60Hz)	
Ultimate pressure	≤ 250 Pa	
Noise level	64 dB(A)	
Motor power	1.2 ~ 1.5 kW	
Voltage	3Phase Local voltage	
Connection	InletNW25(Rc1/2) Outlet(Rc1/2)	
Ambient temperature	5~40°C(in house)	
Weight	39 kg	
Dimension	W 317mm D 585mm H 289mm	
Material of back up seal	Silicon rubber	Fluoro rubber

ANEST IWATA Corporation

3176, Shinyoshida-cho, Kohoku-ku, Yokohama 223-8501
Sales Group, Vacuum Pump Dept.
TEL +81-(0)45-591-1112: FAX +81-(0)45-593-1539
http://www.anest-iwata.co.jp
e-mail: ispinfo@anest-iwata.co.jp

※Models,specification and photos are subject to change without notice

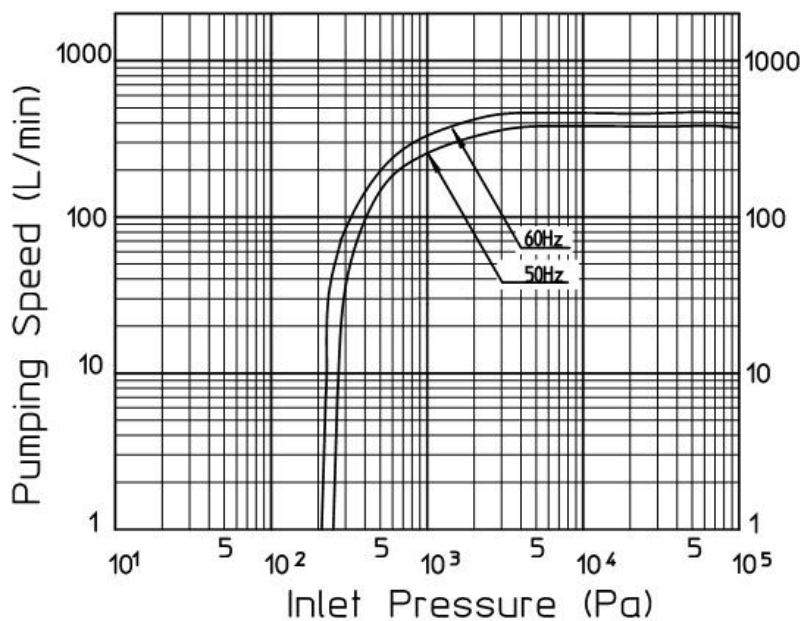
Dimension



Applications

- Vacuum Chuck
- Vacuum Transport
- Vacuum Forming
- Gas Substitution
- Degassing
- Vacuum Drying
- Vacuum Packing
- Leak Test

Pumping Speed



Option

- Control Box
- Hour Meter
- Filter



Precaution on Usage

- This vacuum pump is suitable for **clean processes only**.
- Do not use explosive, flammable, toxic or corrosive substances or substances which contain chemicals, solvents or particles.
- ANEST IWATA will not perform maintenance work on pumps which have used hazardous substances.
- Use at ambient operation temperature in the range of **5°C to 30°C**.
- Do not disassemble, reassemble or alter pump and parts on user's side.
- Be sure to read instruction manual and understand it fully before use.
- When maintenance interval has been reached, be sure to contact our distributor who sold it to you.
- The guarantee period is based on instruction manual. Maintenance interval and the guarantee period are different.
- Please contact at ANEST IWATA Corporation before exporting pumps which are shown on this catalog to out side of Japan.

Caution for installation

- Danger of explosion and fire
- Install in an area which is not exposed to explosives, flammable gas, or other related things.
- Pumps which are shown in this catalog do not have breaker for avoiding motor burnout by installing. Avoid motor burnout using breaker.
- Electric source cord is not included in the pump.
- Use electric source cord which is instructed by instruction manual.
- This vacuum pump is required maintenance by interval which is shown on the instruction manual.
- Install the pump where it has enough ventilation and available maintenance.