

# High Vacuum Pumping System

Scroll is reliable  
toughness

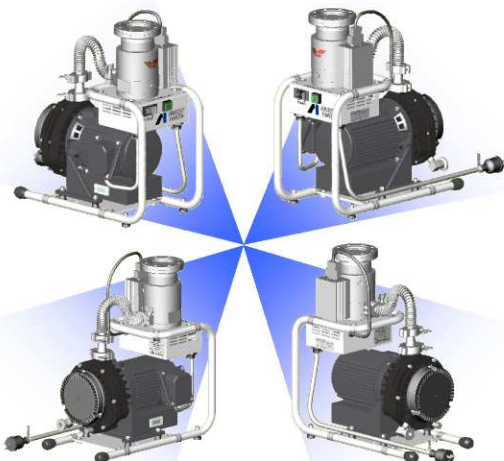
Turbo molecular pump  
high speed pumping



*Try to Dry*

- ◆ Environment friendly and easy maintenance dry pump
- ◆ Faster and stronger than Diaphragm pump
- ◆ Osaka Vacuum, Ltd. Supply reliable TMP
- ◆ Compact design and easy transfer

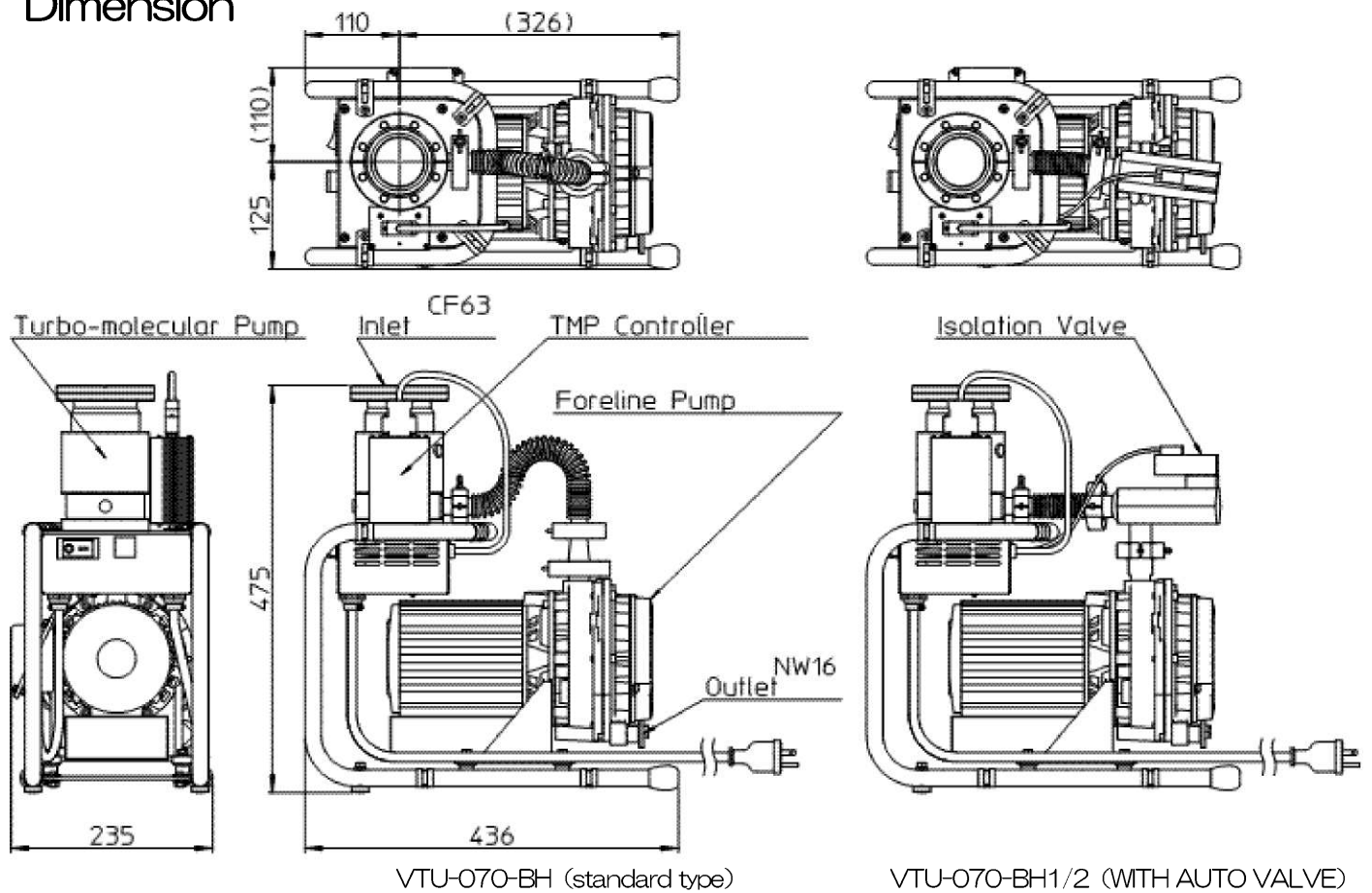
Model	VTU-070-BH
Scroll vacuum pump	ISP-90 (ANEST IWATA)
Turbo molecular pump	TG70F (Osaka Vacuum, Ltd.)
Ultimate pressure	$10^{-5}$ (without baking)
Noise level	59dB(A)
Voltage	Single-phase 100V
Dimensions	235×436×475



**ANEST IWATA Corporation**

3176, Shinyoshida-cho, Kohoku-ku, Yokohama 223-8501 Japan  
 Telephone (81)45-591-1112  
 Facsimile (81)45-593-1539  
 URL <http://www.anest-iwata.co.jp>  
 E-mail [ispinfo@anest-iwata.co.jp](mailto:ispinfo@anest-iwata.co.jp)

## Dimension



Various types available

VTU - 070 - BH

BH	=STANDARD SINGLE PHASE AC100V/200V
BHA 1	=WITH AUTO VALVE SINGLE PHASE AC100V
BHA 2	=WITH AUTO VALVE SINGLE PHASE AC200V

## Application

- mass spectroscope   ■ surface analyzer   ■ X-ray analyzer   ■ laboratory use   ■ Accelerator
- synchrotron radiation facility   ■ leak test   ■ glove box   ■ roughing pump for TMP   ■ electron microscope

## Features

- Clean Discharge and Vacuum  
This high vacuum pumping system is completely dry system because it consists of oil-free scroll vacuum pump (ISP) and turbo molecular pump (TMP).
- Compact Design  
Since this pumping system is compact design and footprint is minimized, it can be installed near your vacuum system. It is easy to move.
- Handling  
Its controller has two ways to start to run TMP, manually or automatically\*. It can be chosen by the application and preference.  
※ In the case of automatic start, it is restricted by volume of chamber and pipes.

## Precaution on Usage

- This pumping system is suitable for **clean processes only**. Do not use explosive, flammable, toxic or corrosive substances or substances which contain chemicals, solvents or particles. ANEST IWATA will not perform maintenance work on pumps which have used hazardous substances.
- Use at ambient operation temperature in the range of **5°C to 30°C**.