

Firebus Datasheet

MODEL: SA-1Z-FHN

Firebus is unique design by ASES. The system having a conventional zone line, inbuilt MCP & inbuilt hooter with strobe. The single zone line can handle 8-10 NOS conventional detectors. This model is best suited for small shops, garages, small restaurants.

Features:

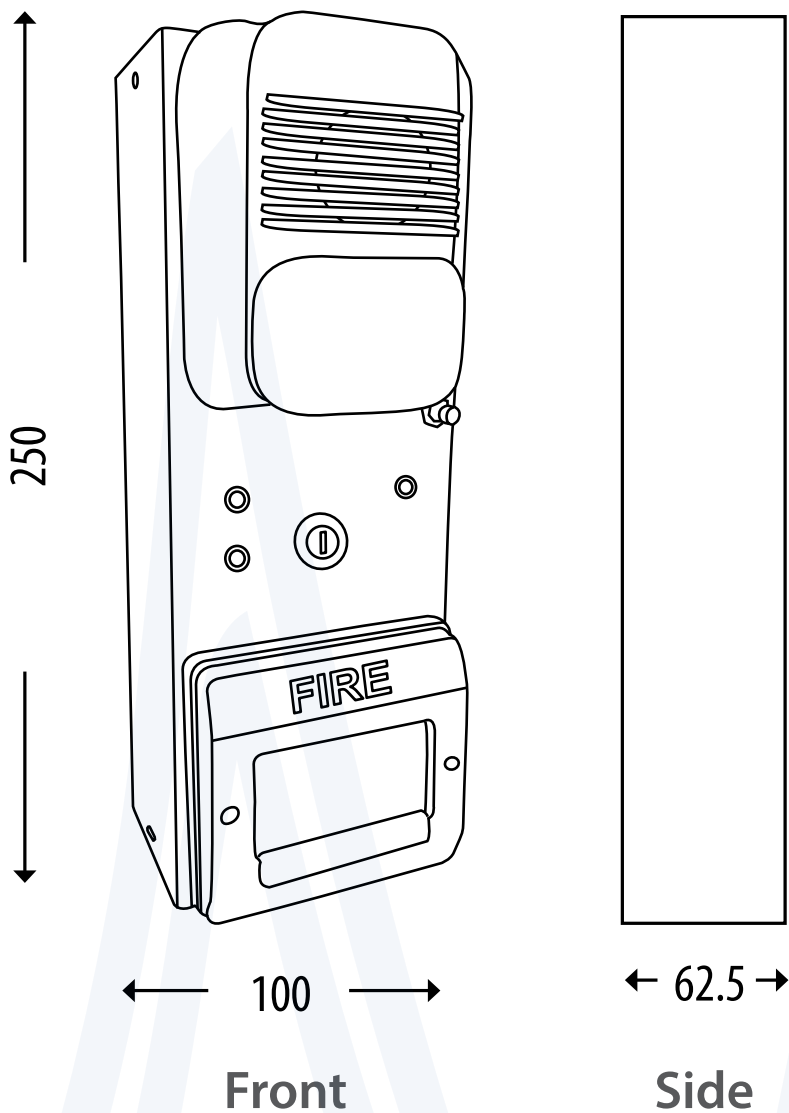
- Inbuilt MCB & Hooter with single zone Fire alarm Panel.
- Battery Charger & Battery backup facility.
- Best usage for shops, showrooms, factories, houses, temporary locations, schools.
- Small size, light weight, cylindrical shape.
- Compatible with up to 8–10 smoke detector(any make)
- System off, system normal, system silence facility.
- System healthy, fire, A.C.fail indications.
- External Hooter & M.C.B connectivity Facility.

Technical Specification:

Panel Operating Condition Operating Voltage

AC Power	220v AC, 50Hz ± 10%
Power I/P	230V.AC/12V.DC
Housing Color	Red Body
No. of Zones	Single Zone
End of Line	2K 2Ω
Power consumption	10 watt/200 Watt(Normal/Fire)
Weight (with Batt.)	3 Kg
Dimensions	10" x4" x2.5"
Detection o/p	12V DC
Hooter o/p	12V DC





Part Number	Pack Quantity	Dimensions (WxHxD millimetres)	Weight
SA-1Z-FHN	1 NOS	130 x 320 x 120	3 Kg