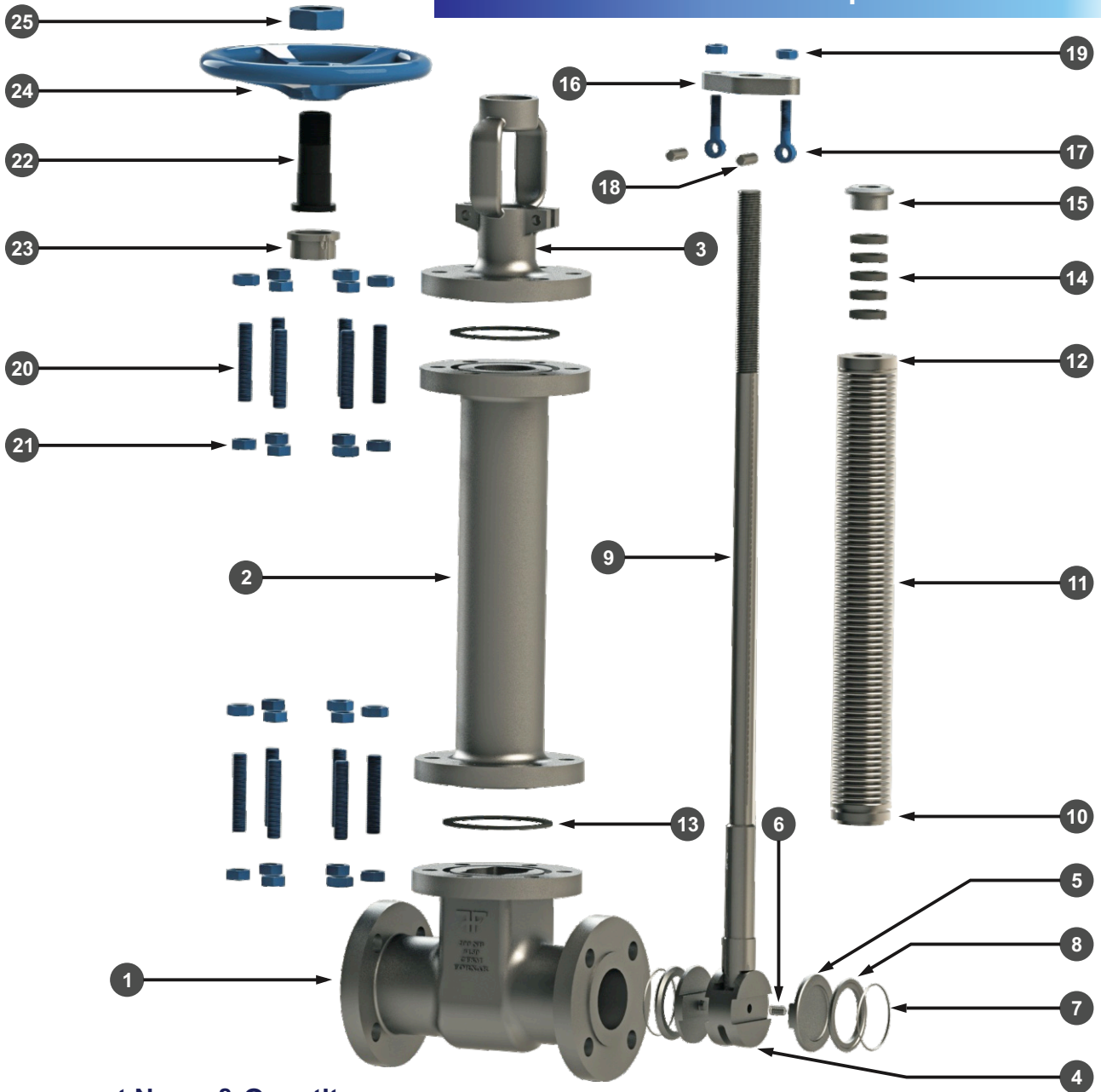


Bellow Seal Gate Valve Exploded View

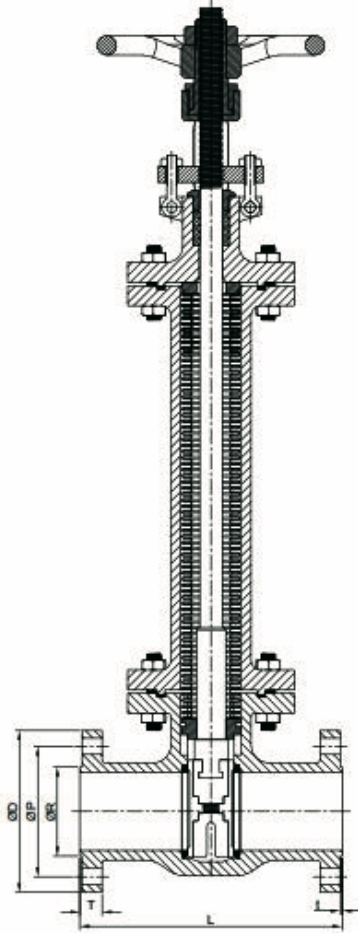


Component Name & Quantity

No.	Component Name	Qty.
1	Body	1
2	Extender	1
3	Bonnet	1
4	Wedge	1
5	Wedge Plate	2
6	Spring	1
7	Disc Ring	2
8	Body Seat Ring	2
9	Stem	1
10	Bottom Bellow Corner	1
11	Bellow	1
12	Top Bellow Corner	1
13	Gasket	2

No.	Component Name	Qty.
14	Gland Packing	5
15	Gland Bush	1
16	Gland Flange	1
17	Eye Bolt	2
18	Eye Bolt Pin	2
19	Eye Bolt Nut	2
20	Body Stud	12
21	Body Nut	24
22	Yoke Sleeve	1
23	Yoke Bush	1
24	Hand Wheel	1
25	Hand Wheel Nut	1

Bellow Seal Gate Valve Dimension



TECHNICAL DATA

- Valve Designed to API - 600 / BS - 1414
- Valve Tested to API - 598 / BS - 5146
- Flanged End as per ANSI - B 16.5
- Face to Face as per ANSI - B - 16.10

ACCESSORIES

- Pneumatic Actuators
- Electric Actuators
- Floor Columns
- By-Pass Piping

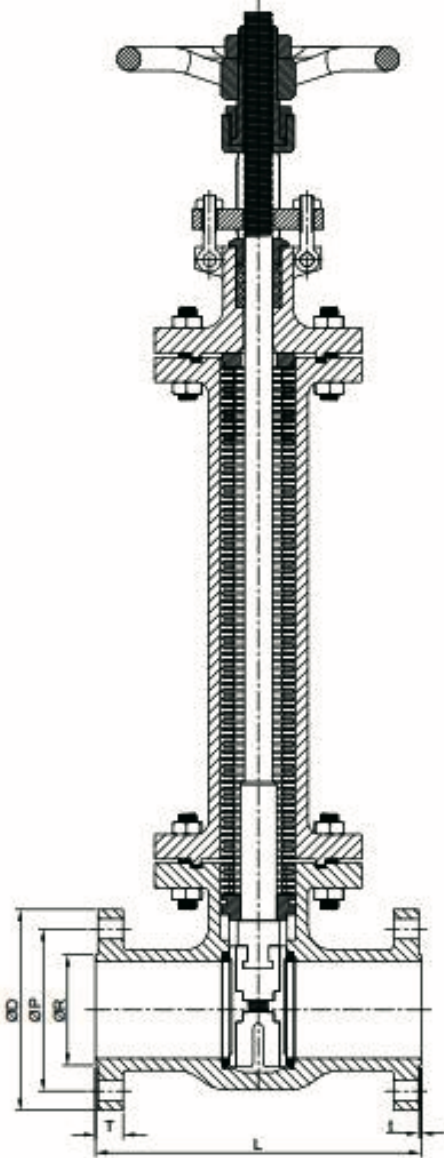
NOTES

- Optional Stellite Wedge & Seat
- Sizes above 250 mm have two piece Bonnet

DIMENSIONS :

VALVE SIZES (INCH)		15	20	25	40	50	65	80	100	150	200	250	300	350	400
FACE TO FACE	#150	108	118	127	165	178	191	203	229	267	292	330	356	381	406
	#300	140	153	165	191	216	241	283	305	403	419	457	502	762	838
FLANGE DIA.	#150	89	98	108	127	152	178	191	229	279	343	406	483	533	597
	#300	92	118	124	156	165	191	210	254	318	381	445	521	584	648
RAISED FACE DIA.	#150	35	43	51	73	92	105	127	157	216	270	324	381	413	470
	#300	35	43	51	73	92	105	127	157	216	270	324	382	413	470
FLANGE PCD.	#150	60	70	79	98	121	140	152	191	241	298	362	432	476	540
	#300	67	83	89	114	127	149	168	200	270	330	387	451	514	572
FLANGE THK.	#150	11	13	14	18	19	22	24	24	25	29	30	32	35	67
	#300	14	16	18	21	22	25	29	32	37	41	48	51	54	57
RAISED FACE THK.	#150	1.6	1.6	1.6	1.6	1.6	1.6	1.6	1.6	1.6	1.6	1.6	1.6	1.6	1.6
	#300	1.6	1.6	1.6	1.6	1.6	1.6	1.6	1.6	1.6	1.6	1.6	1.6	1.6	1.6
No. OF HOLES/ DIA.	#150	4/16	4/16	4/16	4/16	4/19	4/19	4/19	8/19	8/22	8/22	12/25	12/25	12/29	16/29
	#300	4/16	4/19	4/19	4/22	8/19	8/22	8/22	8/22	12/22	12/25	16/29	16/32	20/32	20/32

Bellow Seal Gate Valve Technical Data



TECHNICAL DATA

- Valve Designed to API-602 / BS - 5352 (Reduced Bore)
- Valve Tested to API - 598 / BS - 5146
- Socket Weld End as ANSI-B-16.11
- Screwed End as per ANSI-B1.20.1 (NPT)
- Butt Weld End as per ANSI-B-16.25 with end pups
- End to End as per manufacturers spec.

NOTES

- Valve upto 40 mm NB are from forging
- Optional Full port Design upto 40 mm NB
- Also Manufactured in ASTM-A 182 Gr. F304L / F316L
- Optional Stellite Seat & Wedge
- Optional Screwed Ends (BSP / NPT)
- Optional Butt Weld Ends
- Alternate Bellow Material : HC-276 / Inconel/625/Monel 400

Size - NB (mm)	15	20	25	40
Face to Face	85	90	110	145
Socket Diameter	21.72	27.05	33.78	48.64
Socket Depth	09.6	12.7	12.7	12.7

ACCESSORIES

- Hand Wheel Locking Arrangement
- Extended Stem Design
- Actuator Mounted Valve

Ordering Information of Bellow Seal Valves

As Per Our Design

1) Type of Valves

Types	Nomen.
Bellow Seal Globe Valve	BGL
Bellow Seal Gate Valve	BGT
Bellow Seal Check Valve	BCH

2) Materials

Type Of Materials	Nomen.
S S310	S1
SS304 / ASTM A182 Gr. F304	S4
SS304 L	S4L
SS316	S6
SS316L	S6L
SS317	S7
SS321	S21
Ss446	S46
Monal 400	M4
Incoloy 625	I6
Incoloy 825	I8
Carbon Steel	CS
A105	A1
Alloy 20	A20
ASTM A182 F51 (Duplex F51)	F51
ASTM A182 F60 (Duplex F60)	F60
ASTM A182 F53 (Super Duplex F53)	F53
ASTM A312 TP 304L	P4L
ASTM A182 F11	F11
ASTM A182 GR F5	F5
ASTM A312 TP 304	TP4
Hastelloy C276	HC2
A350 Gr. LF1/ LF2/ LF3	LF2
SS410	S41
ASTM A240 TP 316L	P6L
Inconel-600	I60
ASTM A234 Gr. WPB	WPB
Mild Steel	MS
Nickel Alloy	NA
Galvanized	GLV

3) Sizes

Size	Nomen.	Size	Nomen.
1/8"	6	8"	200
1/4"	8	10"	250
3/8"	10	12"	300
1/2"	15	14"	350
3/4"	20	16"	400
1"	25	18"	450
1 1/4"	32	20"	500
1 1/2"	40	22"	550
2"	50	24"	600
2 1/2"	65	26"	650
3"	80	28"	700
4"	100	30"	750
5"	125	32"	800
6"	150	36"	900

4) Type Of Bore

Type	Nomen.
Full Bore	FB
Reduced Bore	RB

5) Type of End Connections.

Type	Nomen.
Flange End	FL
Butt Weld End	BW
Socket Weld End	SW
Tounge & Groove	TG
Ring Type Joint	RTJ

6) Type Of Class

Types	Nomen.
Class 150	#150
Class 300	#300
Class 400	#400
Class 600	#600
Class 900	#900
Class 1500	#1500
Class 2500	#2500
Class 4500	#4500
Sch 10	S10
Sch 20	S20
Sch 40	S40
Sch 80	S80
Sch 160	S160
Sch XXS	SXXS
Table F	F
Table E	E
Table D	D

7) Special Requirement

Types	Nomen.
IBR	IBR
Fire Safe	FS



Ex. BELLOW SEAL GATE VALVE, 100NB, FLANGE END
ASTM 182 A SS 316 FULL BORE #300, WITH IBR = BGT-S6-100FB-FL-#300-IBR