

Xpert SL

Ophthalmic Diagnosis



LABOMED 

ideas for vision

XPERT Slit Lamp

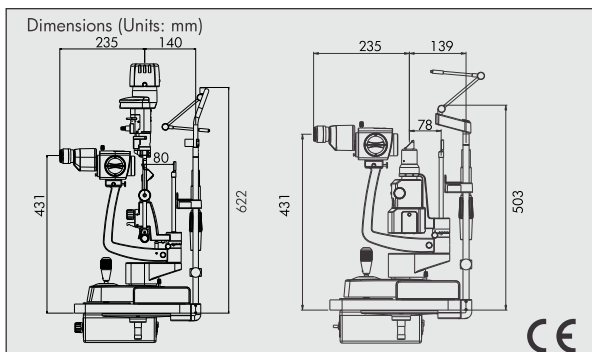
Item

Specifications

	XPERT SL 40	XPERT SL 45
- Microscope	Galilean	Galilean
- Magnification	3 step rotation; 10X, 16X, 25X	3 step rotation; 10X, 16X, 25X
- Eye pieces	Wide field 12.5x	Wide field 12.5x
- IPD Range	48.5-80mm, dioptic adjustment \pm 6mm	48.5-80mm, dioptic adjustment \pm 6mm
- Slit Length/ Width	0-14mm	0-12mm
- Slit Apertures	0.3,5.5,9,14mm	0.3,1,3,5,9,12mm
- Slit Rotation	0-180°	0-180°
- Slit tilt	--	20°
- Filters	Red free, cobalt blue, heat absorbing	Red free, cobalt blue, heat absorbing, neutral density
Movement ranges:		
- Longitudinal (in/out)	90mm	90mm
- Lateral(left/Right)	100mm	100mm
- Vertical (up/down)	30mm	30mm
- Chin rest Range	80mm	80mm
- Illumination	6V 20W halogen	6V 20W halogen
- Table Base Dimensions/Weight	465mm x 350mm/ 25kg (packed)	465mm x 316mm/ 24 kg (packed)



Specifications



Features:

- Ergonomic design
- Enhanced Optical System for superb image quality
- Feather-touch XYZ joystick
- 3 step magnichanger
- Video compatibility with iVu SL imaging system
- Digipro v4.0 image archiving software with iVu SL

Labo America, Inc.

920 Auburn Court.
Fremont, CA 94538
U.S.A.

Tel: (510) 445-1257
Fax: (510) 991-9862
Global: sales@laboamerica.com



ISO 9001:2008
File No. A9020

laboamerica.com

Distributor