

# CAST STEEL SWING CHECK VALVES BOLTED COVER CLASS 150/300

## PRODUCT TECHNICAL DETAILS

### Features

- Bolted cover.
- Design Std.BS 1868 /ANSI 16.34 .
- Testing as per BS 6755-1 / EN ISO12266-1.
- Face to Face Dimension as per B 16.10.
- Flange Drilling as per ANSI B16.5 RF Serrated / Buttweld ends as per B16.25



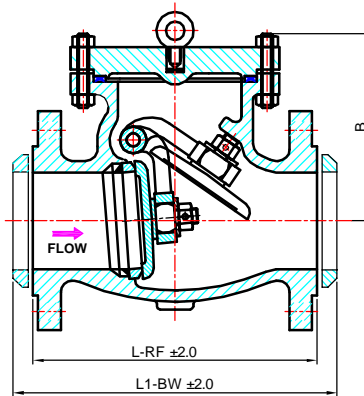
### On Request

- API 6D Design.
- Tilting Disc Design.
- NACE as per MR-01-75.
- Stellite Hard face.
- Jacketed valves.
- Dash pot arrangement.

## MATERIALS

Sr.No	Part Name	Material Option
01	Body	ASTM A216 WCB/A217 WC6,WC9,C5,C12/A351 CF8,CF8M,CF3,CF3M/A352 LCB/A890 DUPLEX
02	COVER	ASTM A216 WCB/A217 WC6,WC9,C5,C12/A351 CF8,CF8M,CF3,CF3M/A352 LCB/A890 DUPLEX
03	DISC	ASTM A216 WCB/A217 WC6,WC9,C5,C12/A351 CF8,CF8M,CF3,CF3M/A352 LCB/A890 DUPLEX
04	Seat Rings	ASTM A216 WCB/A217 WC6,WC9,C5,C12/A351 CF8,CF8M,CF3,CF3M/A352 LCB/A890 DUPLEX
05	HING	ASTM A216 WCB/A217 WC6,WC9,C5,C12/A351 CF8,CF8M,CF3,CF3M/A352 LCB/A890 DUPLEX
06	Bonnet Gasket	SPIRAL WOUND SS304/304L/316/316L/321+GRAFOIL/PTFE
07	Body Stud	ASTM A193 B7/B7M/B8/B8M /B16/ASTM A320/L7
08	Body Nut	ASTM A194 2H/2HM/ 8/ 8M /ASTM A320/ 7
09		
10		
11		

## DIMENSIONS



SIZE	L-RF ±3.0			L1-BW ±3.0			B-(Approx)			WT.(APPROX) KG.		
	150	300	600	150	300	600	150	300	600	150	300	600
50 (2")	203	267	292	203	267	292	145	160	170	16	24	28
65 (2.1/2")	216	292	330	216	292	330	170	180	190	23	38	54
80 (3")	241	318	356	241	318	356	190	200	215	31	61	65
100 (4")	292	356	432	292	356	432	210	210	230	51	81	118
125 (5")	330	400	508	330	400	508	242	252	280	66	106	148
150 (6")	356	444	559	356	444	559	260	280	310	93	132	255
200 (8")	495	533	660	495	533	660	305	340	370	137	216	408
250 (10")	622	622	787	622	622	787	390	405	430	221	346	623
300 (12")	698	711	838	698	711	838	410	425	480	346	472	810
350 (14")	787	838	×	787	838	×	470	525	×	487	686	×
400 (16")	864	864	×	864	864	×	600	562	×	574	1000	×
450 (18")	978	978	×	978	978	×	550	670	×	775	1060	×
500 (20")	978	1016	×	978	1016	×	605	630	×	1060	1230	×
600 (24")	1295	×	×	1295	×	×	760	×	×	1320	×	×

### Notes:

- All Dimensions are in mm.
- Data provided for information only. subject to change without notice.