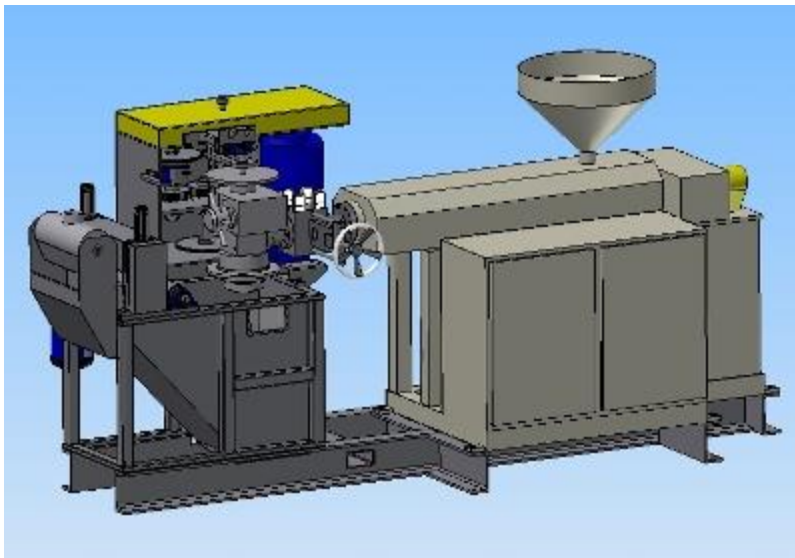
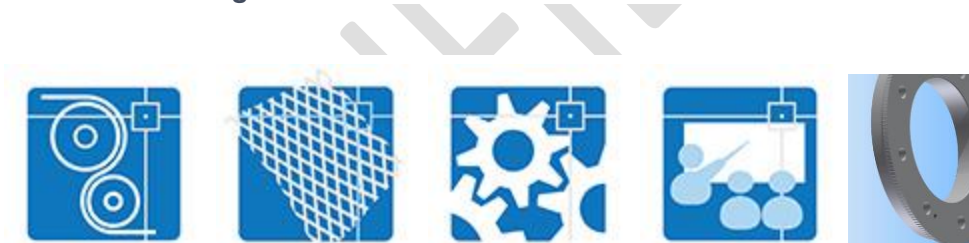


# Plastic Mesh / Net Making Machines & Technologies

**Netting India** are specialists in the design and project management of extruded plastic net making technology and Agro shade net made out of PE monofilament/Flat Tape. Having many years experience in the design and production of plastic mesh and netting, our knowledge and experience places us at the forefront of the net making design market. Whether our clients are after a die head design, dies, extruders, winders, orientation technologies or full plastic net making lines we are able to offer a full design and project management service. We pride ourselves in being experts in Counter rotation die technology, counter rotating die heads (diamond mesh), Netlon die heads.



## Plastic Net Making Lines

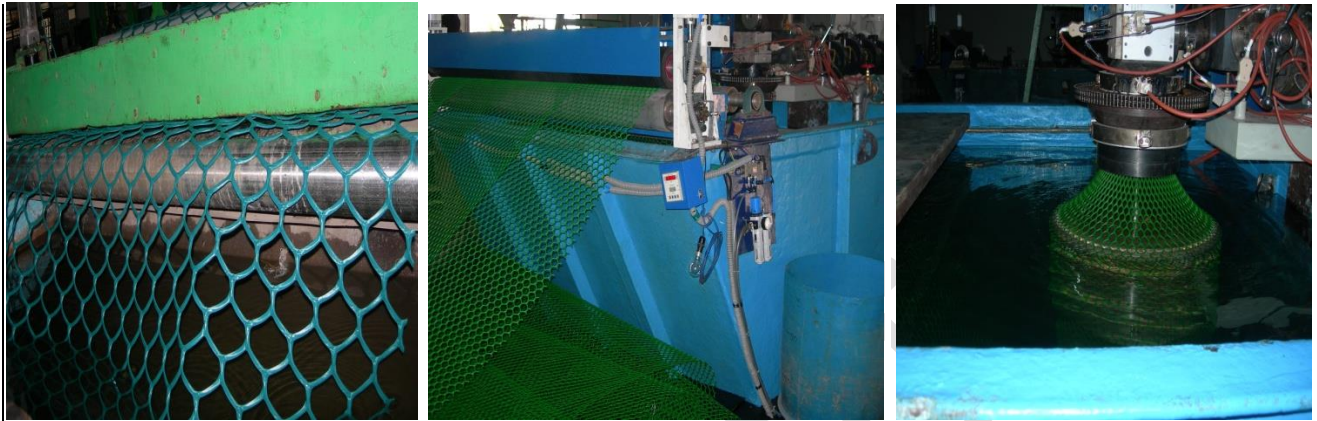


## Complete Manufacturing Lines

Netting India have designed and project managed a large variety of extruded plastic mesh and net making lines. From filtration mesh lines, packaging mesh lines, Agro Shade nets to large scale square mesh and diamond mesh lines for the geo synthetic industries we have the capabilities and experience to deliver a first class project. Our Netlon and Rotating die technology lines can make following products having width from 0.20 Meter to 4.0 Meter

**Product Applications:** Packaging/Insect Proofing/Garden Landscaping/Geo civil and infra /Agro/Industrial/Home and domestic/Pigeon protection

Unique packaging net used for Fruits packing, Toys Packing, Cosmetic Packing and many end uses, Accu-pressure Net, Air Freshener Net, Scrubber net for stainless steel Vessels cleaning, Scrubber net for smooth bath with fragrance of natural flower, Protective net for Glass & Engineering Spares, Insects screen, Garden net Agriculture net, Poultry cage, Desert cooler net, AC ODU fins protection



### ***Plastic Hexa Fencing /Packaging /Protective Net Making Line***

## **ABOUT US**

Netting India are Baroda (Gujarat-India) base Extruded nets machine making and net making expert designs and provide consultancy for project management to make plastic mesh manufacturing lines which includes design, installation ,erection and dies slotting for variety of products with end to end solution up to market. We also help for agro Shade net manufacturing project, products are made out of flat tapes, monofilament yarns and combination of these two input yarns.

## **CONTACT US**

## **Netting India**

**Reg. Office:** A1/46, Gangotri Residency, Nr. Narayan Gardens,  
30 Meter Vuda Road, Gotri, Baroda((390 021) Guj. India.  
+91 98250 48147 +91 9898 222 222

**Works:** 68, GIDC Por, NH 8, Por Ramangamdi, Dist.Vadodara Gujarat, India.

Email:[nettingindia@gmail.com](mailto:nettingindia@gmail.com) / [sales@nettingindia.com](mailto:sales@nettingindia.com)

Website: [www.nettingindia.in](http://www.nettingindia.in) [www.exportersindia.com/netting-india](http://www.exportersindia.com/netting-india) [www.indiamarts.com/netting-india](http://www.indiamarts.com/netting-india)