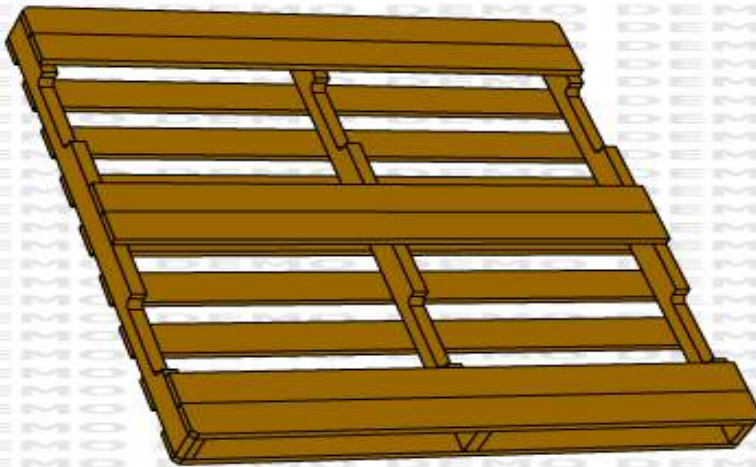
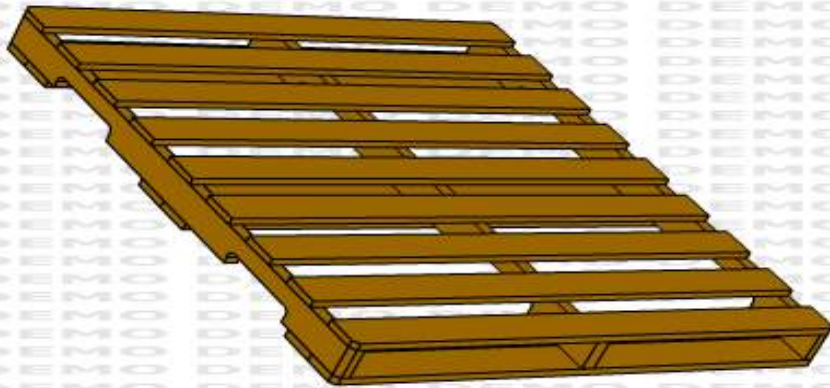
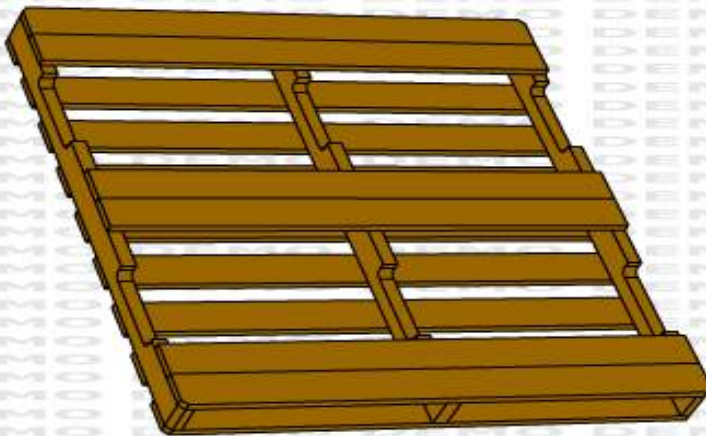
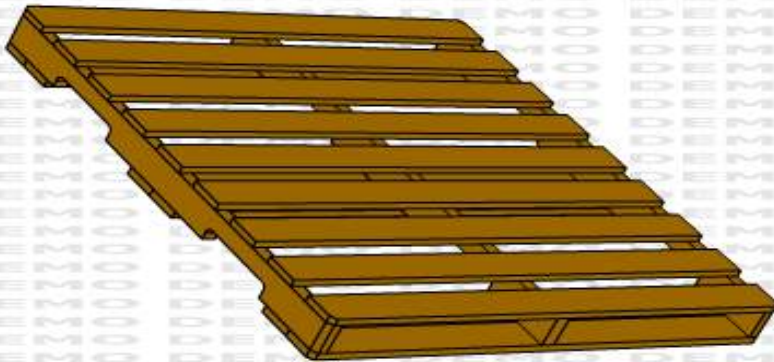


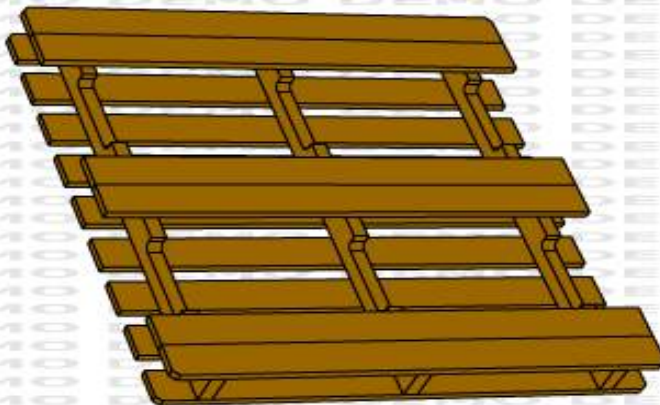
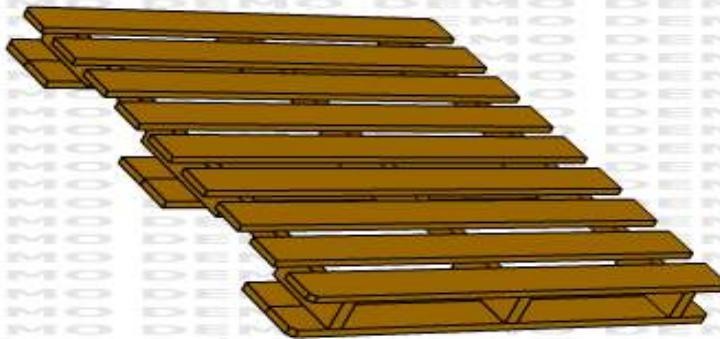
1	DIMENSION	150 X 150 X 15CM
2	TYPE	LEG
3	ENTRY	TWO WAY
4	BOTTOM	HALF FRAME
5	LOADING CAPACITY	2.5 TON - DYNAMIC
		5 TON - STATIC
6	WOOD	SOFTWOOD



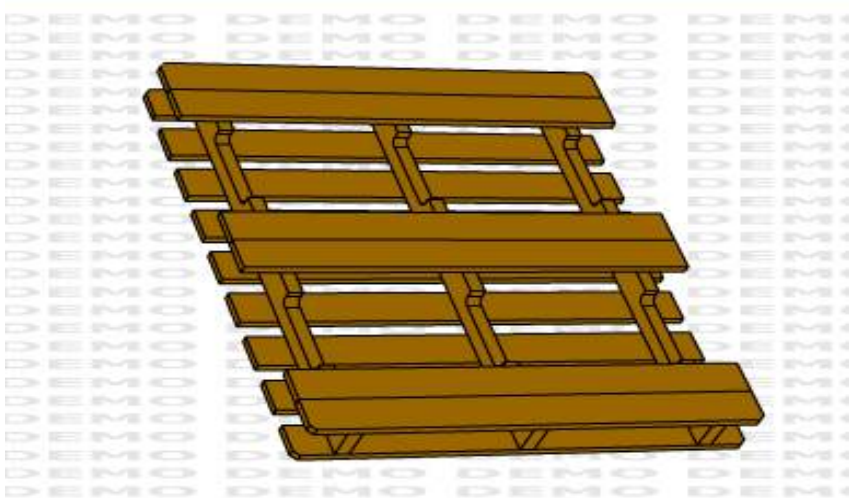
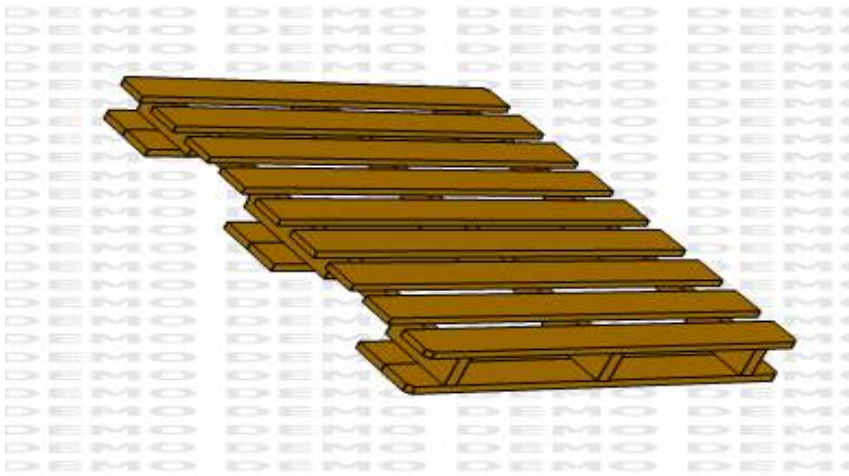
1	DIMENSION	140 X 140 X 13CM
2	TYPE	LEG
3	ENTRY	TWO WAY
4	BOTTOM	HALF FRAME
5	LOADING CAPACITY	2 TON - DYNAMIC
		4 TON - STATIC
6	WOOD	SOFTWOOD



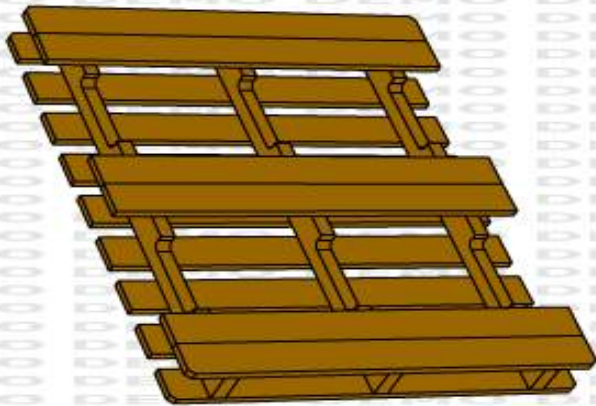
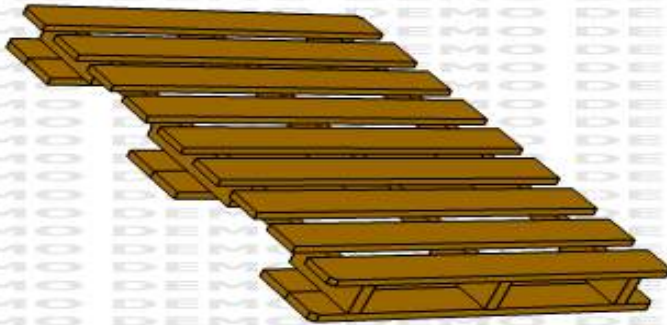
1	DIMENSION	130 X 130 X 13CM
2	TYPE	LEG
3	ENTRY	TWO WAY
4	BOTTOM	HALF FRAME
5	LOADING CAPACITY	1.75 TON - DYNAMIC
		3.5 TON - STATIC
6	WOOD	SOFTWOOD



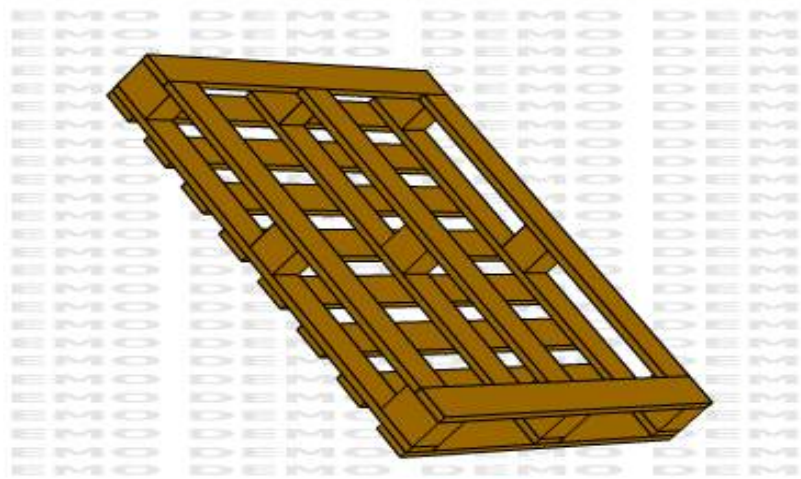
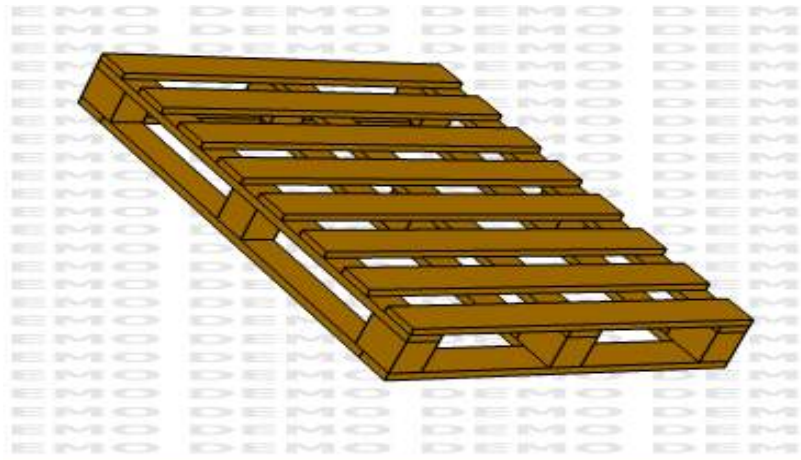
1	DIMENSION	120 X 130 X 13CM
2	TYPE	LEG
3	ENTRY	TWO WAY
4	BOTTOM	HALF FRAME
5	LOADING CAPACITY	1.5 TON - DYNAMIC
		3 TON - STATIC
6	WOOD	SOFTWOOD



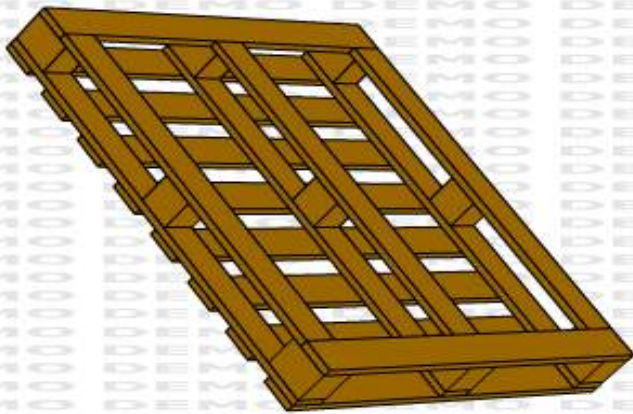
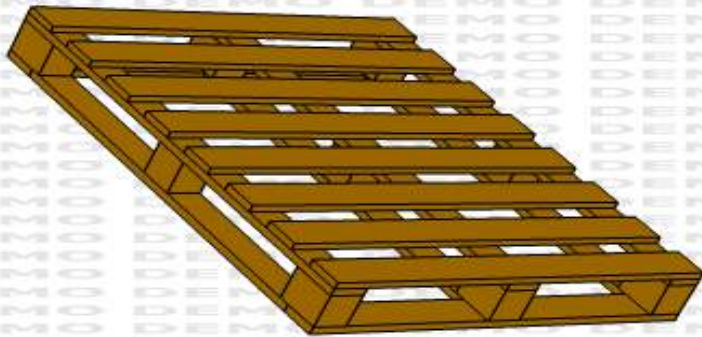
1	DIMENSION	110 X 130 X 13CM
2	TYPE	LEG
3	ENTRY	TWO WAY
4	BOTTOM	HALF FRAME
5	LOADING CAPACITY	1.5 TON - DYNAMIC
		3 TON - STATIC
6	WOOD	SOFTWOOD



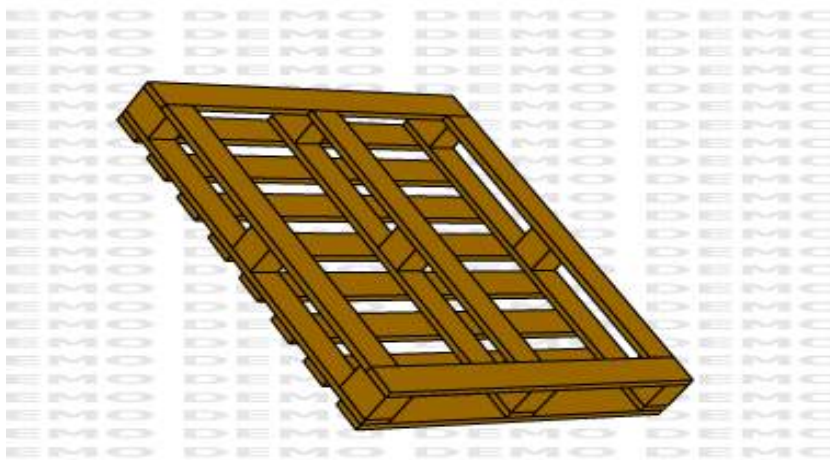
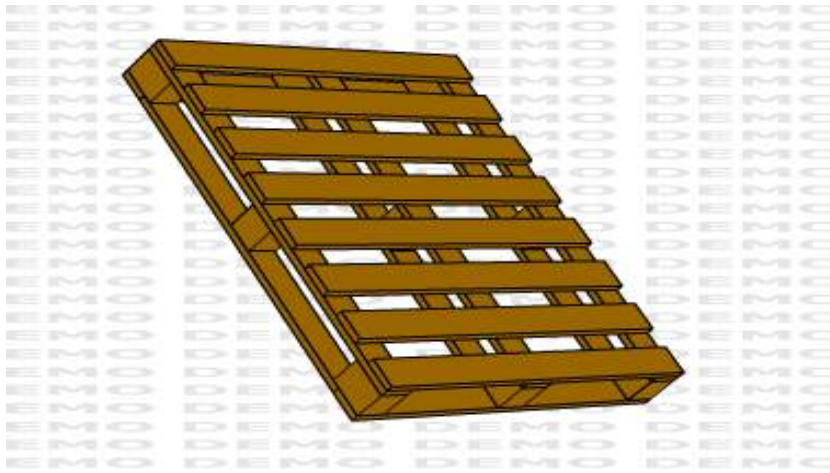
1	DIMENSION	110 X 130 X 15CM
2	TYPE	BLOCK
3	ENTRY	FOUR WAY
4	BOTTOM	FULL FRAME
5	LOADING CAPACITY	1.5 TON - DYNAMIC
		3 TON - STATIC
6	WOOD	SOFTWOOD



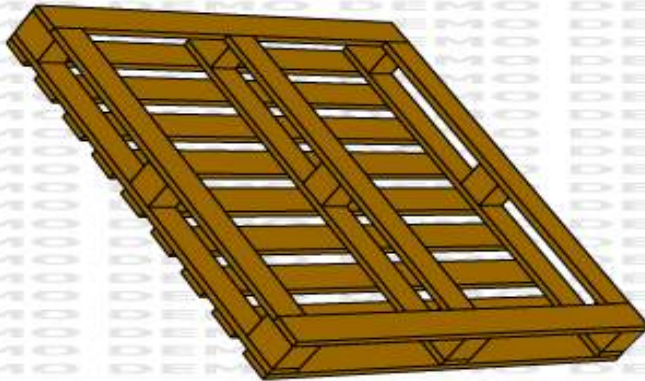
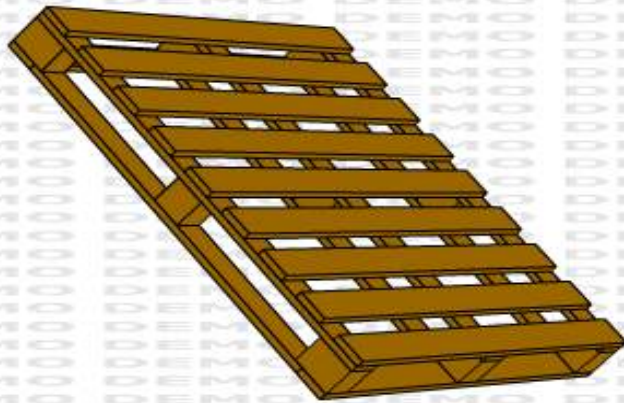
1	DIMENSION	120 X 130 X 15CM
2	TYPE	BLOCK
3	ENTRY	FOUR WAY
4	BOTTOM	FULL FRAME
5	LOADING CAPACITY	1.5 TON - DYNAMIC
		3 TON - STATIC
6	WOOD	SOFTWOOD



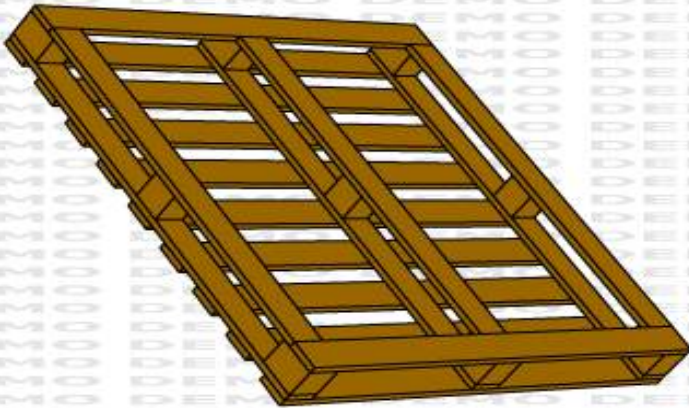
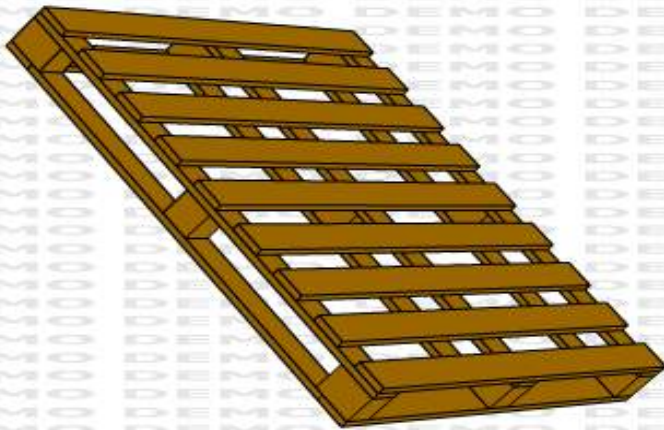
1	DIMENSION	130 X 130 X 15CM
2	TYPE	BLOCK
3	ENTRY	FOUR WAY
4	BOTTOM	FULL FRAME
5	LOADING CAPACITY	1.75 TON - DYNAMIC
		3.5 TON - STATIC
6	WOOD	SOFTWOOD



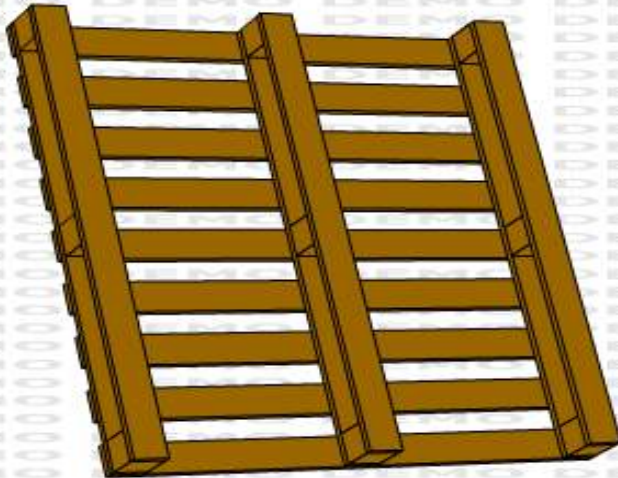
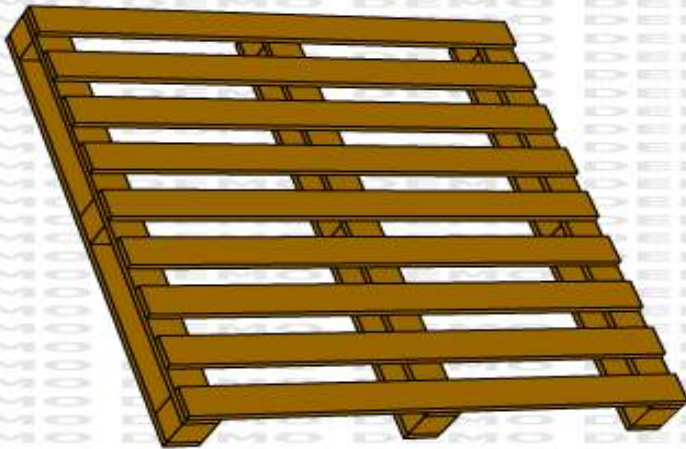
1	DIMENSION	140 X 140 X 15CM
2	TYPE	BLOCK
3	ENTRY	FOUR WAY
4	BOTTOM	FULL FRAME
5	LOADING CAPACITY	2 TON - DYNAMIC
		4 TON - STATIC
6	WOOD	SOFTWOOD



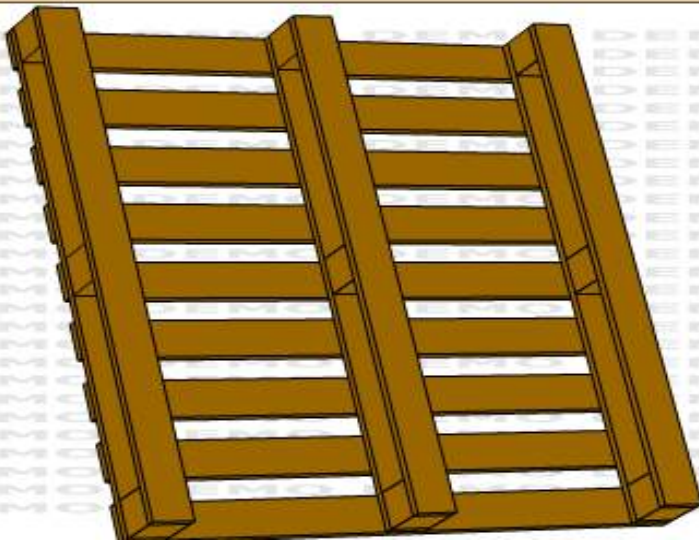
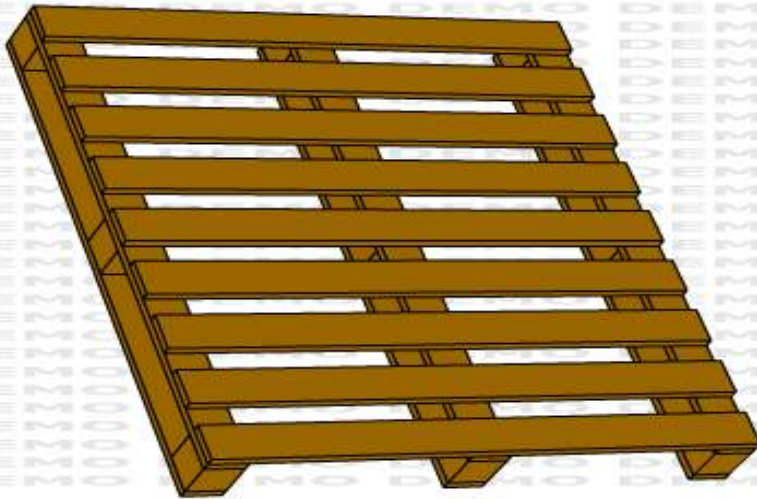
1	DIMENSION	150 X 150 X 15CM
2	TYPE	BLOCK
3	ENTRY	FOUR WAY
4	BOTTOM	FULL FRAME
5	LOADING CAPACITY	2.5 TON - DYNAMIC
		5 TON - STATIC
6	WOOD	SOFTWOOD



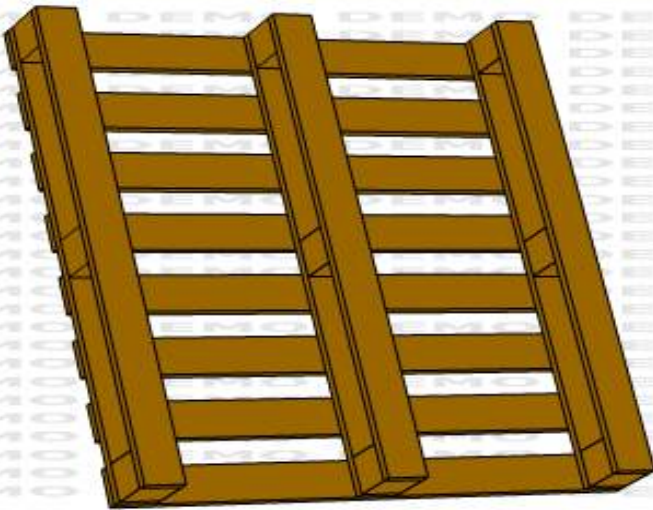
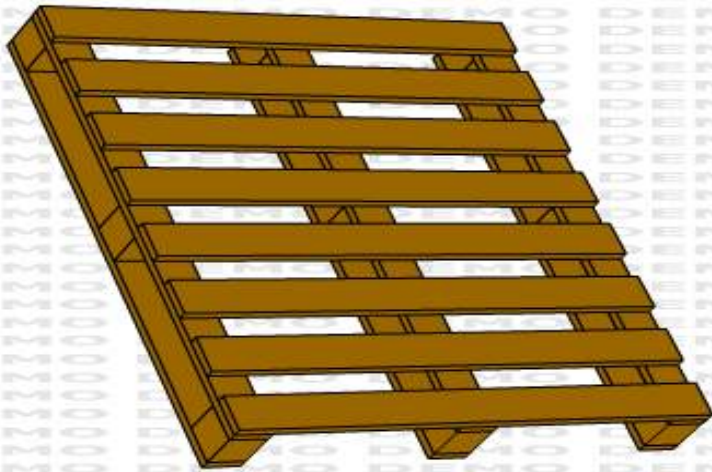
S.No	DESCRIPTION	DETAILS
1	DIMENSION	150 X 150 X 15CM
2	TYPE	BLOCK
3	ENTRY	FOUR WAY
4	BOTTOM	HALF FRAME
5	LOADING CAPACITY	2.5 TON - DYNAMIC 5 TON - STATIC
6	WOOD	SOFTWOOD



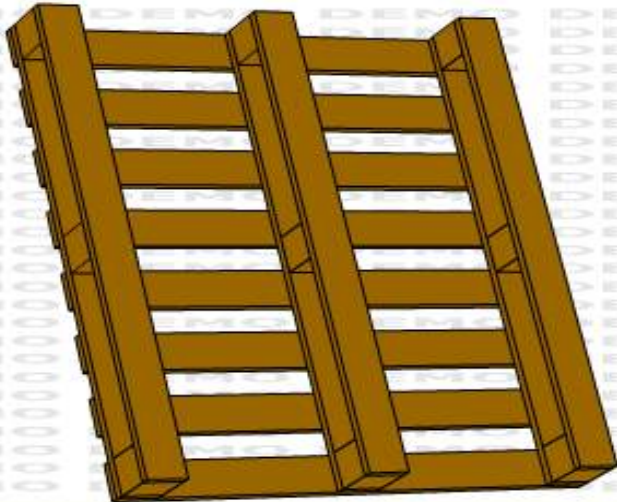
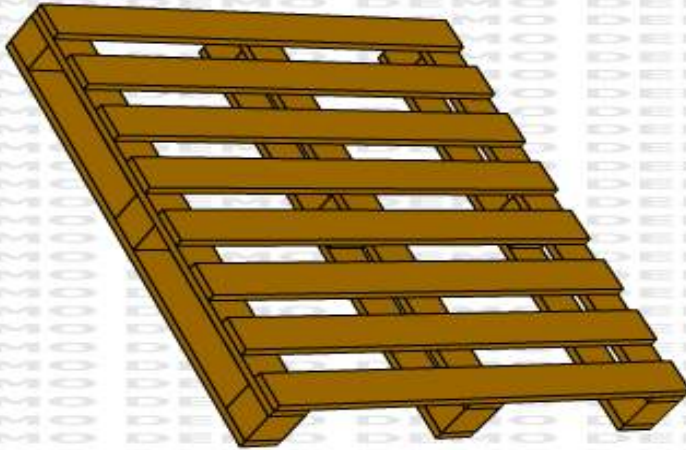
S.No	DESCRIPTION	DETAILS
1	DIMENSION	140 X 140 X 15CM
2	TYPE	BLOCK
3	ENTRY	FOUR WAY
4	BOTTOM	HALF FRAME
5	LOADING CAPACITY	2 TON - DYNAMIC 4 TON - STATIC
6	WOOD	SOFTWOOD



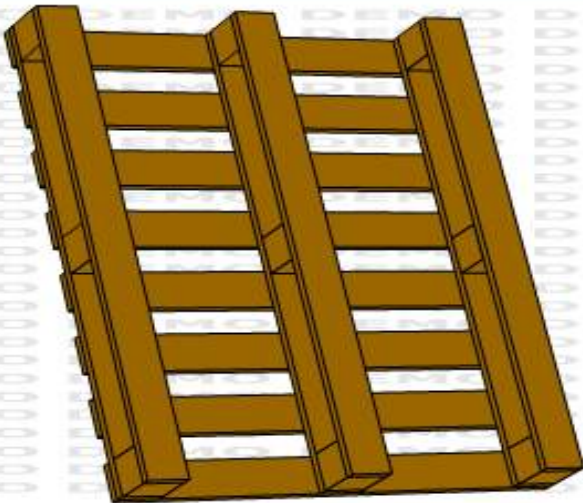
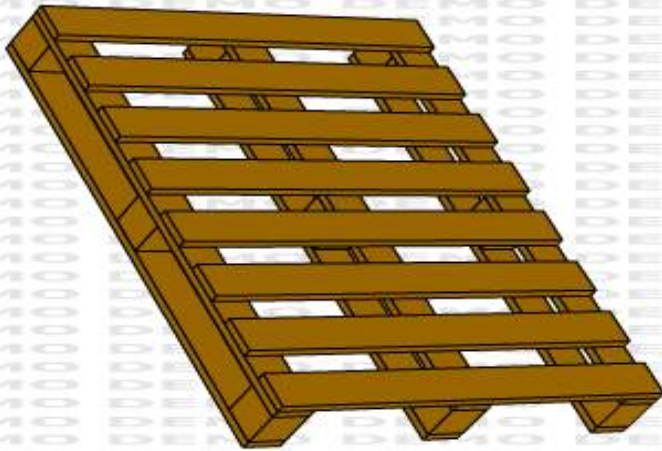
S.No	DESCRIPTION	DETAILS
1	DIMENSION	130 X 130 X 15CM
2	TYPE	BLOCK
3	ENTRY	FOUR WAY
4	BOTTOM	HALF FRAME
5	LOADING CAPACITY	1.75 TON - DYNAMIC 3.5 TON - STATIC
6	WOOD	SOFTWOOD



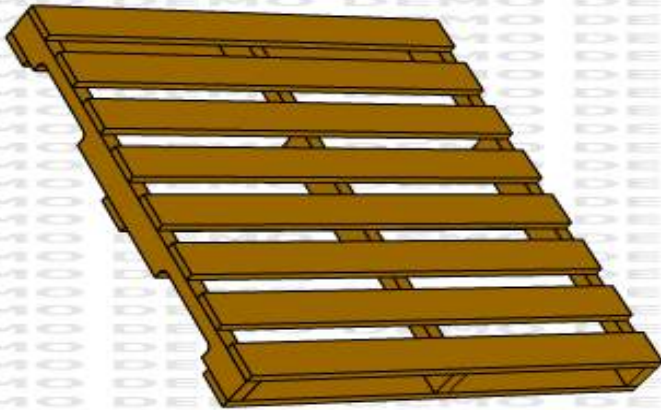
S.No	DESCRIPTION	DETAILS
1	DIMENSION	120 X 130 X 15CM
2	TYPE	BLOCK
3	ENTRY	FOUR WAY
4	BOTTOM	HALF FRAME
5	LOADING CAPACITY	1.5 TON - DYNAMIC 3 TON - STATIC
6	WOOD	SOFTWOOD



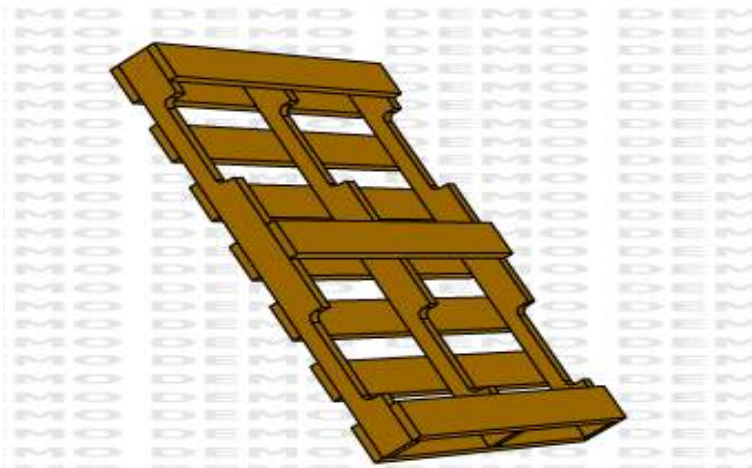
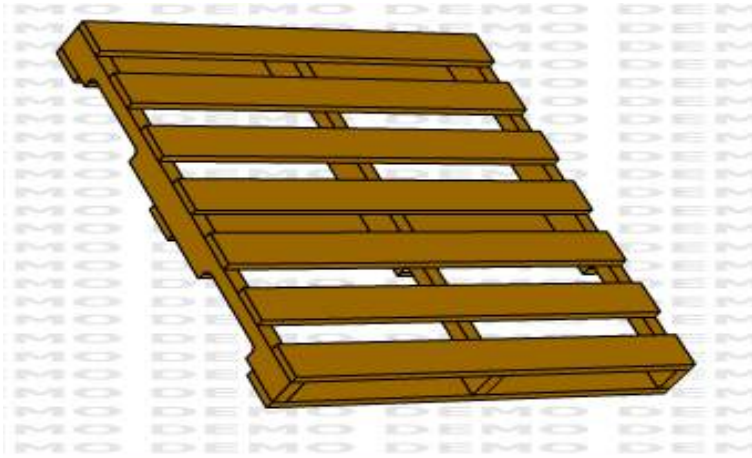
S.No	DESCRIPTION	DETAILS
1	DIMENSION	110 X 130 X 15CM
2	TYPE	BLOCK
3	ENTRY	FOUR WAY
4	BOTTOM	HALF FRAME
5	LOADING CAPACITY	1.5 TON - DYNAMIC 3 TON - STATIC
6	WOOD	SOFTWOOD



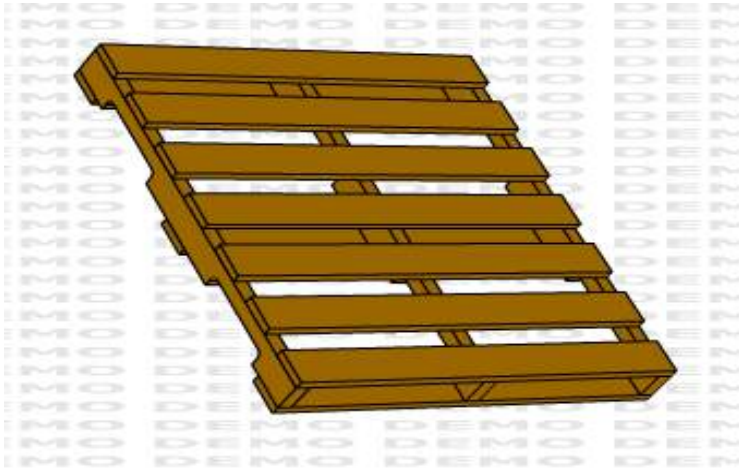
1	DIMENSION	120 X 120 X 13CM
2	TYPE	LEG
3	ENTRY	TWO WAY
4	BOTTOM	HALF FRAME
5	LOADING CAPACITY	1.25 TON - DYNAMIC
		2.5 TON - STATIC
6	WOOD	SOFTWOOD



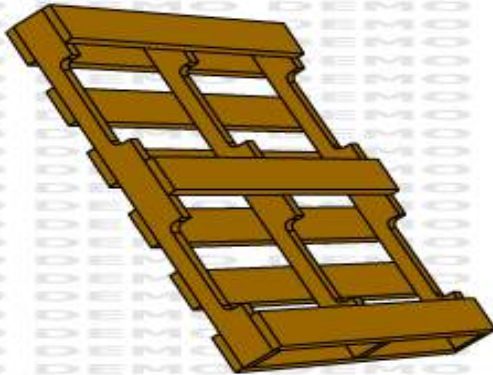
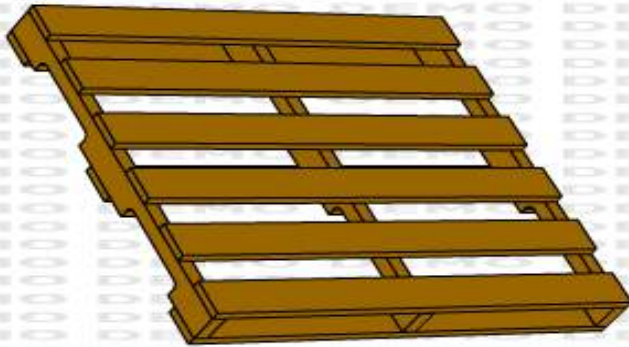
1	DIMENSION	115 X 115 X 13CM
2	TYPE	LEG
3	ENTRY	TWO WAY
4	BOTTOM	HALF FRAME
5	LOADING CAPACITY	1.25 TON - DYNAMIC
		2.5 TON - STATIC
6	WOOD	SOFTWOOD



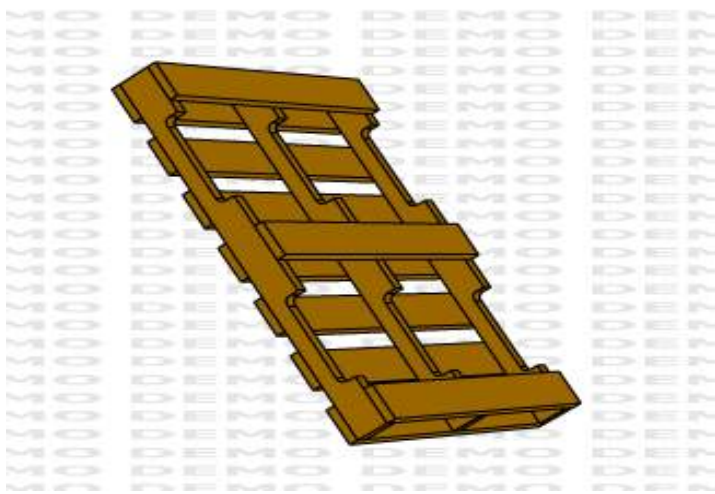
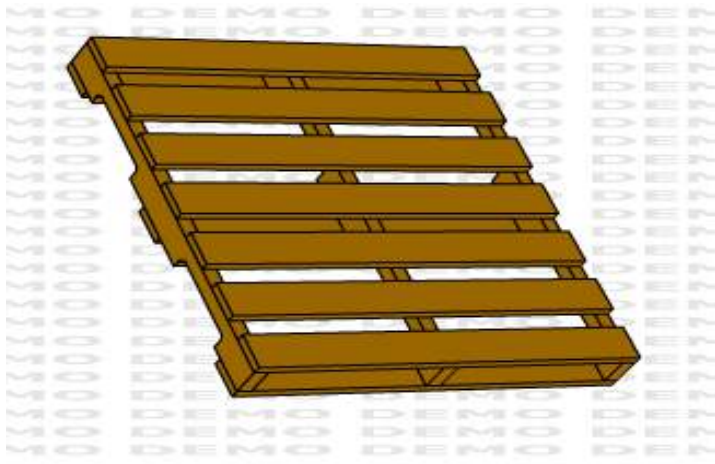
1	DIMENSION	110 X 110 X 13CM
2	TYPE	LEG
3	ENTRY	TWO WAY
4	BOTTOM	HALF FRAME
5	LOADING CAPACITY	1 TON - DYNAMIC
		2 TON - STATIC
6	WOOD	SOFTWOOD



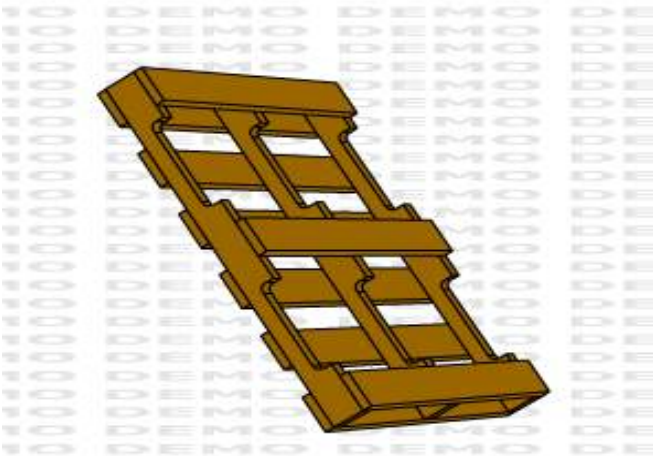
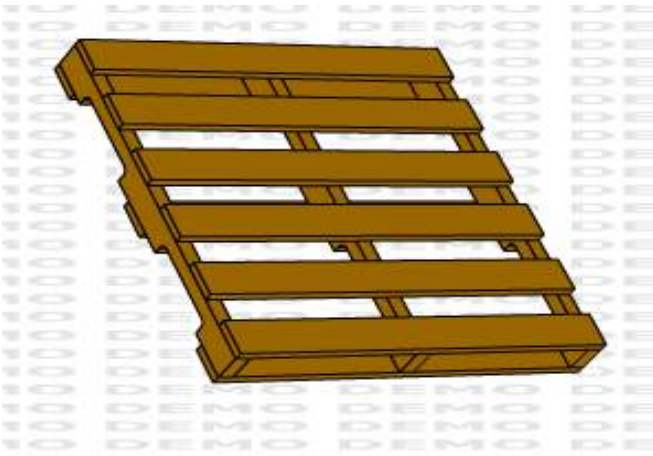
1	DIMENSION	100 X 120 X 13CM
2	TYPE	LEG
3	ENTRY	TWO WAY
4	BOTTOM	HALF FRAME
5	LOADING CAPACITY	1 TON - DYNAMIC
		2 TON - STATIC
6	WOOD	SOFTWOOD



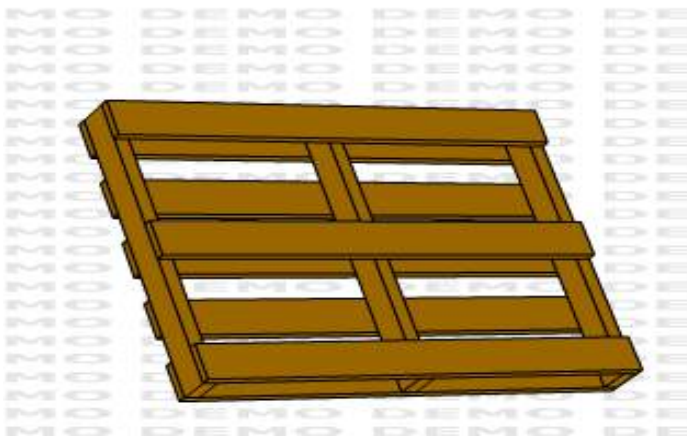
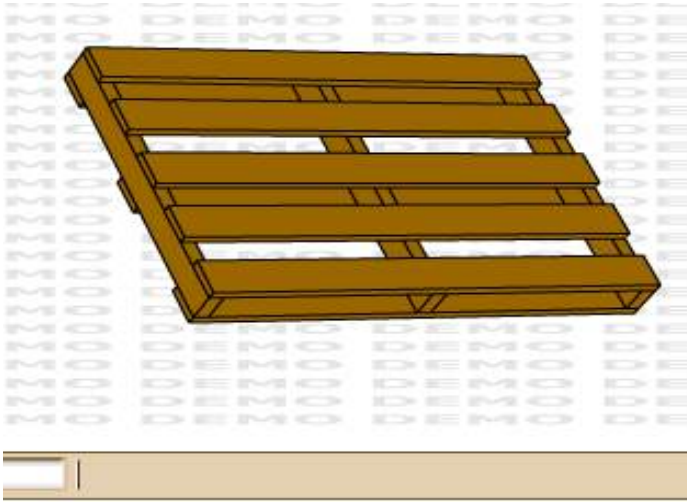
1	DIMENSION	105 X 105 X 13CM
2	TYPE	LEG
3	ENTRY	TWO WAY
4	BOTTOM	HALF FRAME
5	LOADING CAPACITY	1 TON - DYNAMIC
		2 TON - STATIC
6	WOOD	SOFTWOOD



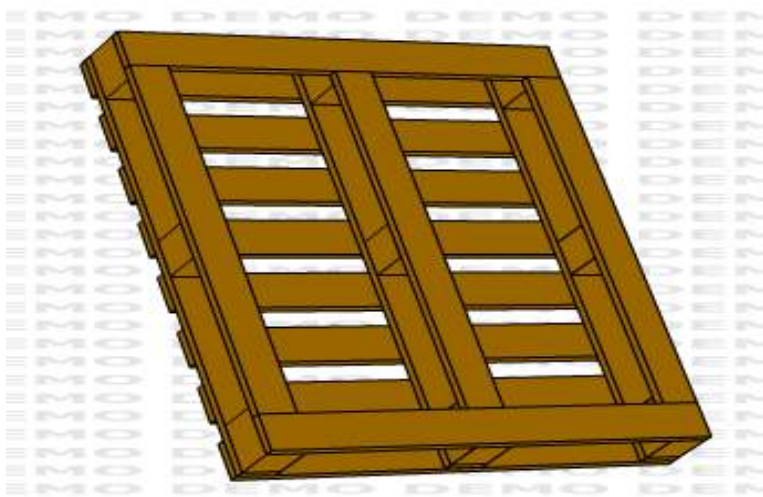
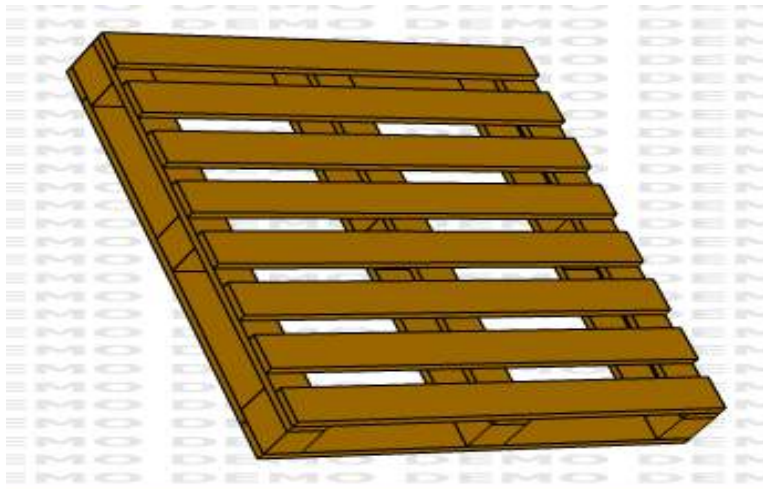
1	DIMENSION	100 X 100 X 13CM
2	TYPE	LEG
3	ENTRY	TWO WAY
4	BOTTOM	HALF FRAME
5	LOADING CAPACITY	1 TON - DYNAMIC
		2 TON - STATIC
6	WOOD	SOFTWOOD



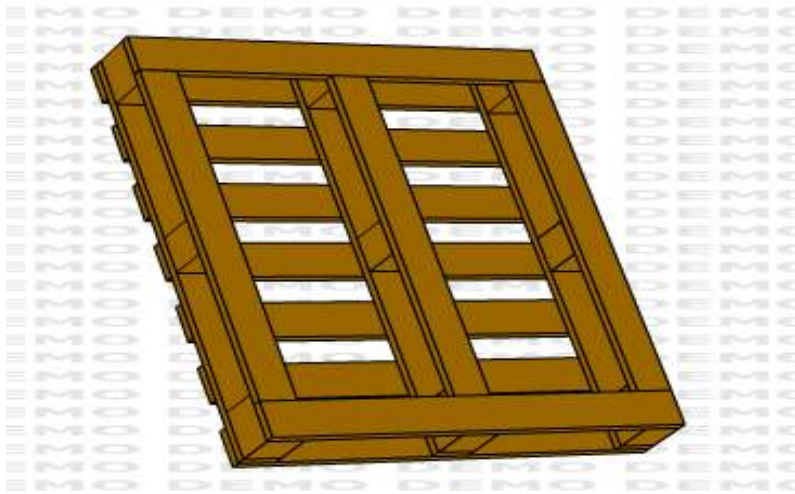
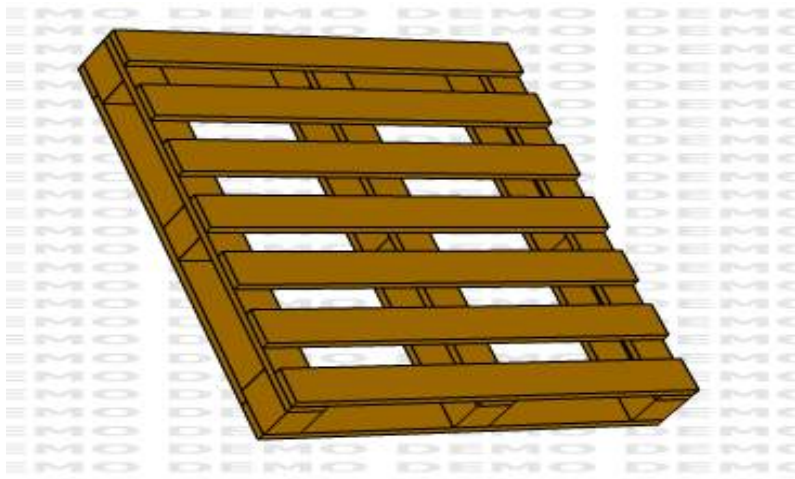
1	DIMENSION	80 X 120 X 13CM
2	TYPE	LEG
3	ENTRY	TWO WAY
4	BOTTOM	HALF FRAME
5	LOADING CAPACITY	1 TON - DYNAMIC
		2 TON - STATIC
6	WOOD	SOFTWOOD



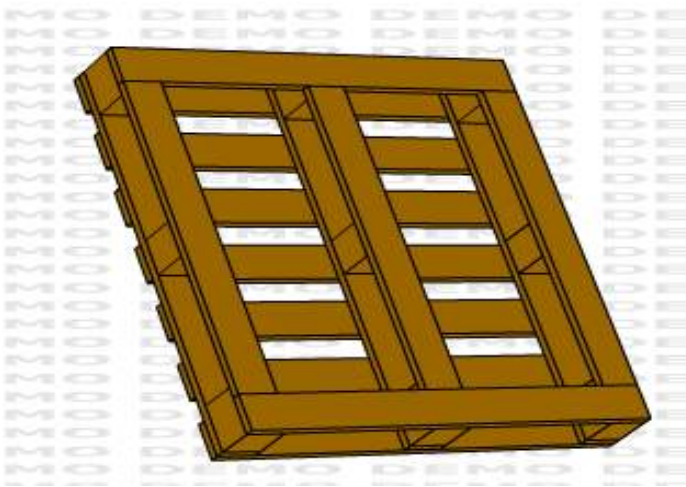
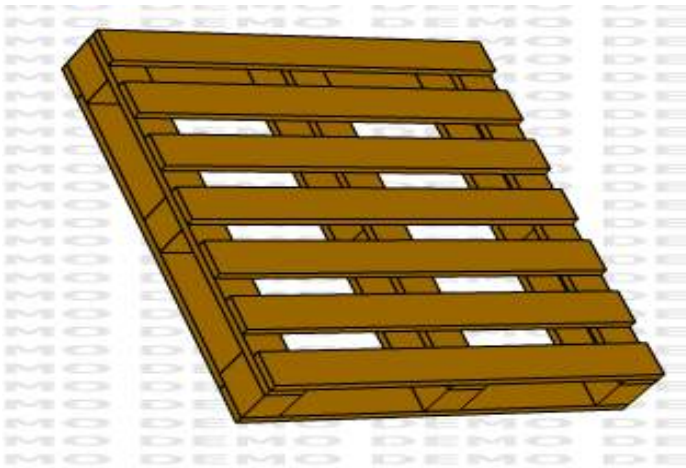
1	DIMENSION	120 X 120 X 15CM
2	TYPE	BLOCK
3	ENTRY	FOUR WAY
4	BOTTOM	FULL FRAME
5	LOADING CAPACITY	1.25 TON - DYNAMIC
		2.5 TON - STATIC
6	WOOD	SOFTWOOD



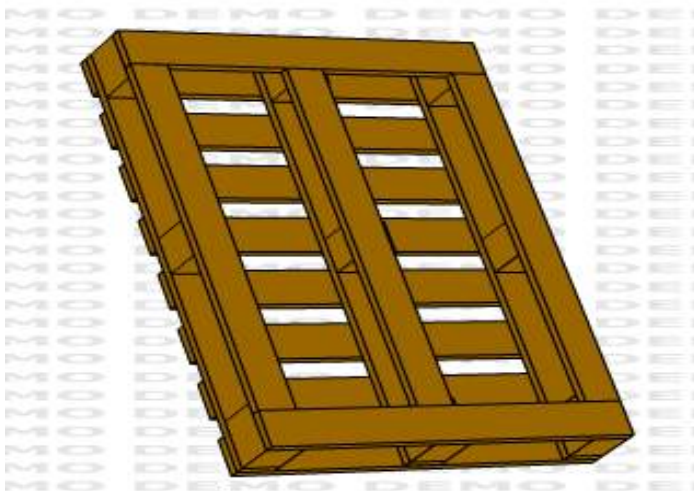
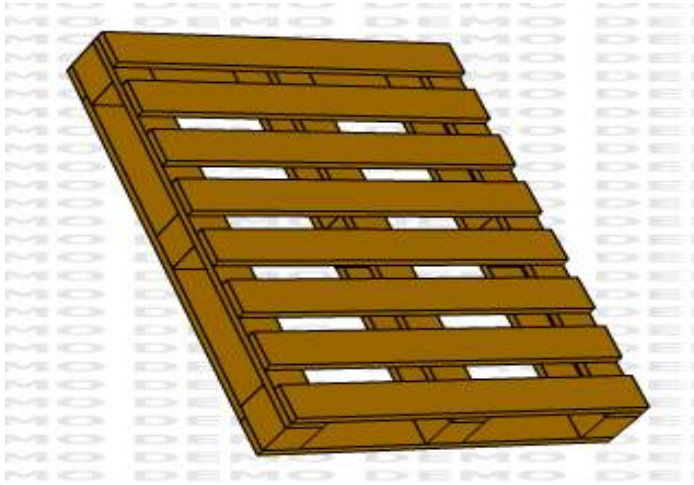
1	DIMENSION	115 X 115 X 15CM
2	TYPE	BLOCK
3	ENTRY	FOUR WAY
4	BOTTOM	FULL FRAME
5	LOADING CAPACITY	1.25 TON - DYNAMIC
		2.5 TON - STATIC
6	WOOD	SOFTWOOD



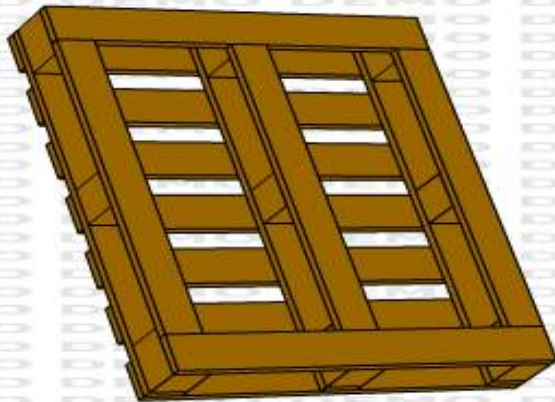
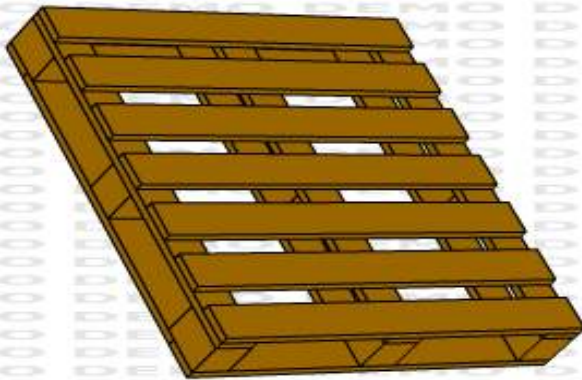
1	DIMENSION	110 X 110 X 15CM
2	TYPE	BLOCK
3	ENTRY	FOUR WAY
4	BOTTOM	FULL FRAME
5	LOADING CAPACITY	1 TON - DYNAMIC
		2 TON - STATIC
6	WOOD	SOFTWOOD



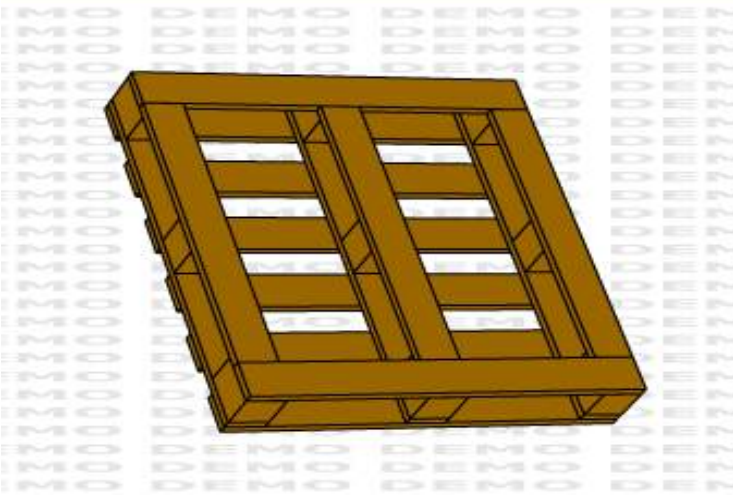
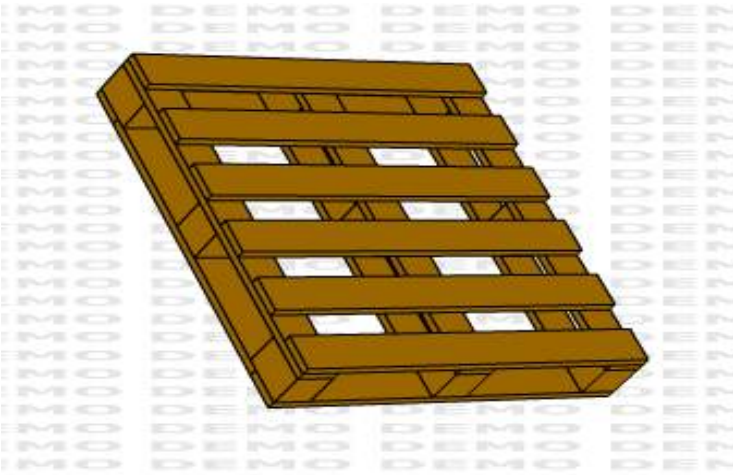
1	DIMENSION	100 X 120 X 15CM
2	TYPE	BLOCK
3	ENTRY	FOUR WAY
4	BOTTOM	FULL FRAME
5	LOADING CAPACITY	1 TON - DYNAMIC
		2 TON - STATIC
6	WOOD	SOFTWOOD



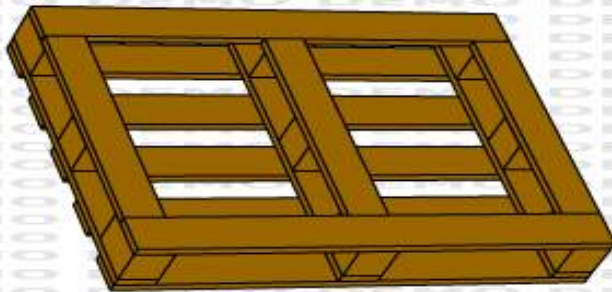
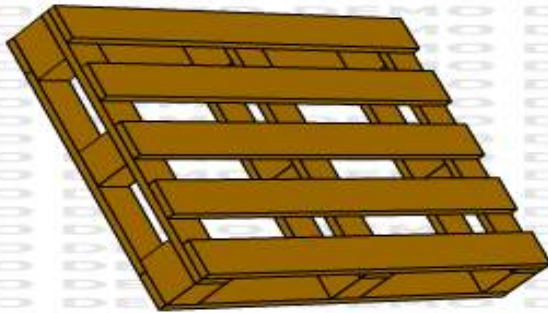
1	DIMENSION	105 X 105 X 15CM
2	TYPE	BLOCK
3	ENTRY	FOUR WAY
4	BOTTOM	FULL FRAME
5	LOADING CAPACITY	1 TON - DYNAMIC
		2 TON - STATIC
6	WOOD	SOFTWOOD



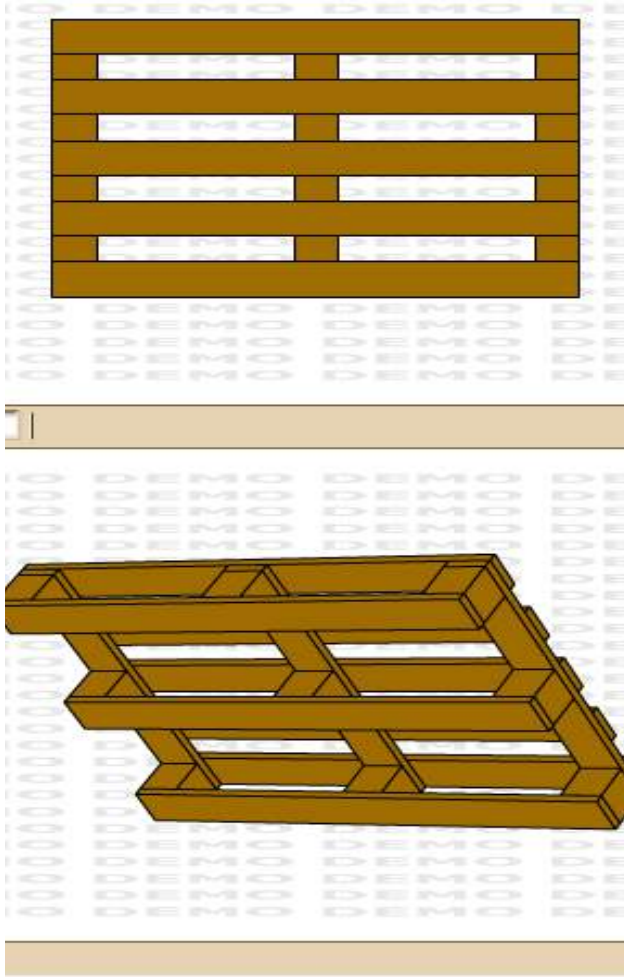
1	DIMENSION	100 X 100 X 15CM
2	TYPE	BLOCK
3	ENTRY	FOUR WAY
4	BOTTOM	FULL FRAME
5	LOADING CAPACITY	1 TON - DYNAMIC
		2 TON - STATIC
6	WOOD	SOFTWOOD



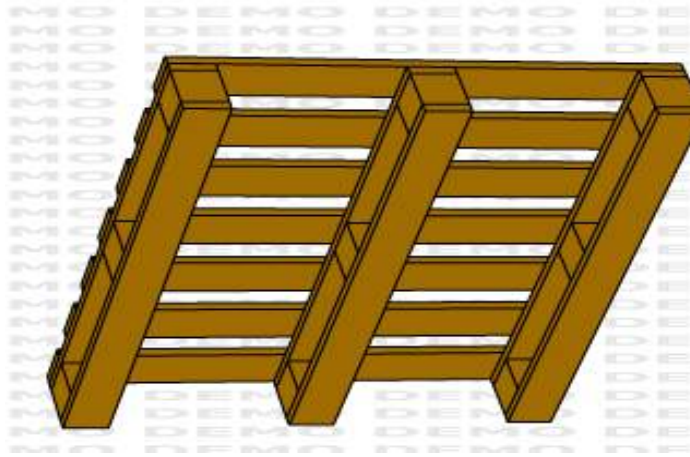
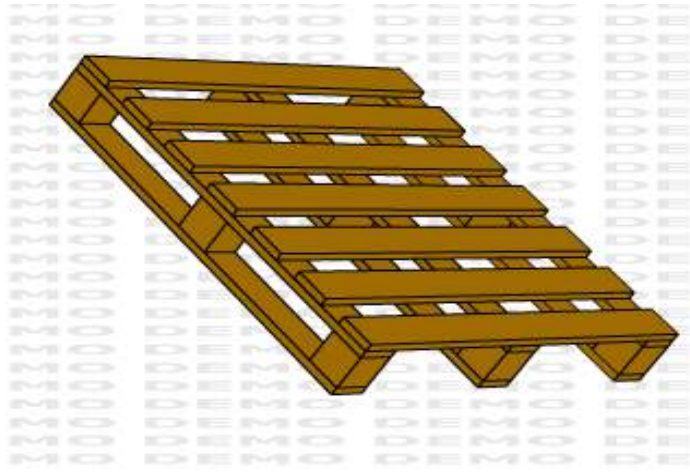
1	DIMENSION	80 X 120 X 15CM
2	TYPE	BLOCK
3	ENTRY	FOUR WAY
4	BOTTOM	FULL FRAME
5	LOADING CAPACITY	1 TON - DYNAMIC
		2 TON - STATIC
6	WOOD	SOFTWOOD



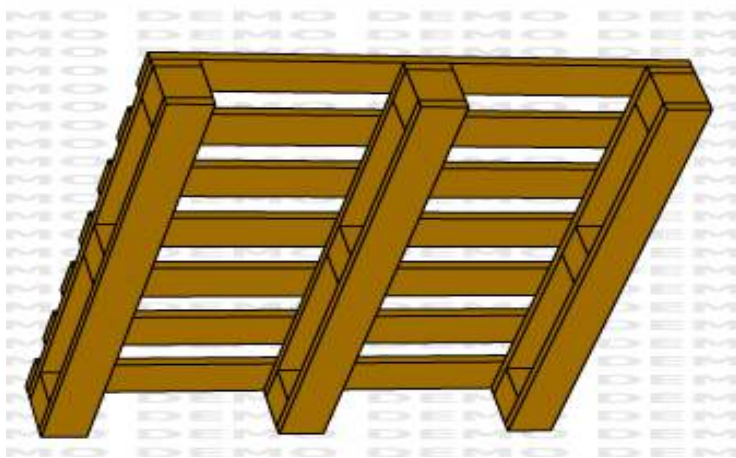
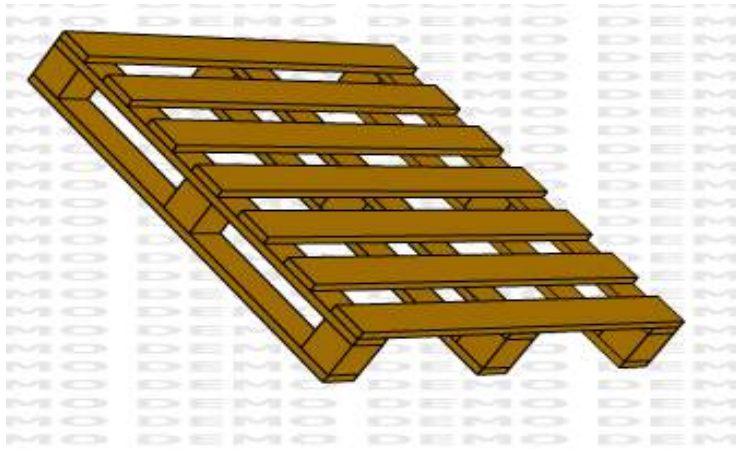
S.No	DESCRIPTION	DETAILS
1	DIMENSION	80 X 120 X 15CM
2	TYPE	BLOCK
3	ENTRY	FOUR WAY
4	BOTTOM	HALF FRAME
5	LOADING CAPACITY	1 TON - DYNAMIC 2 TON - STATIC
6	WOOD	SOFTWOOD



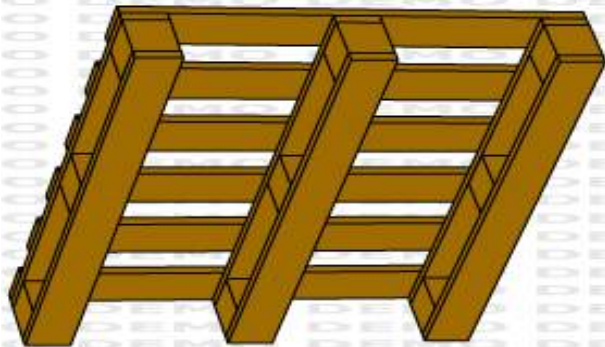
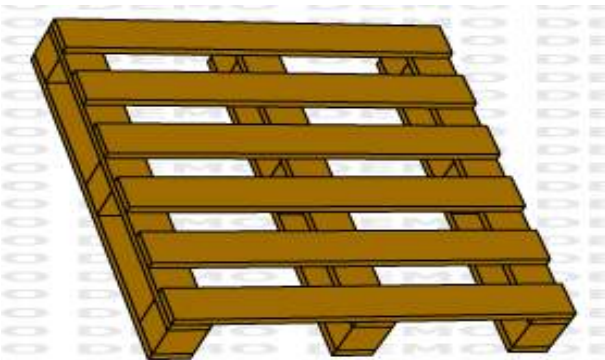
S.No	DESCRIPTION	DETAILS
1	DIMENSION	110 X 110 X 15CM
2	TYPE	BLOCK
3	ENTRY	FOUR WAY
4	BOTTOM	HALF FRAME
5	LOADING CAPACITY	1 TON - DYNAMIC 2 TON - STATIC
6	WOOD	SOFTWOOD



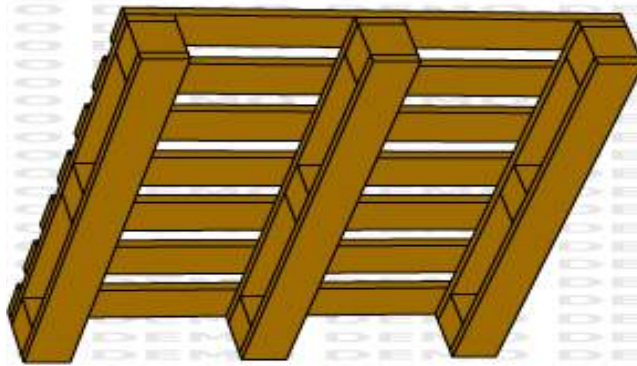
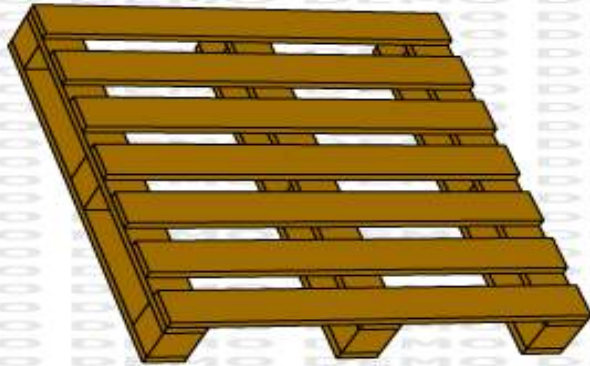
S.No	DESCRIPTION	DETAILS
1	DIMENSION	115 X 115 X 15CM
2	TYPE	BLOCK
3	ENTRY	FOUR WAY
4	BOTTOM	HALF FRAME
5	LOADING CAPACITY	1.25 TON - DYNAMIC 2.5 TON - STATIC
6	WOOD	SOFTWOOD



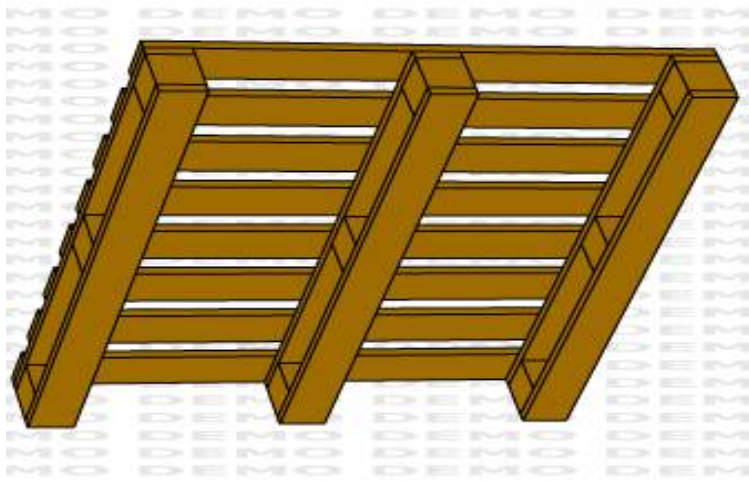
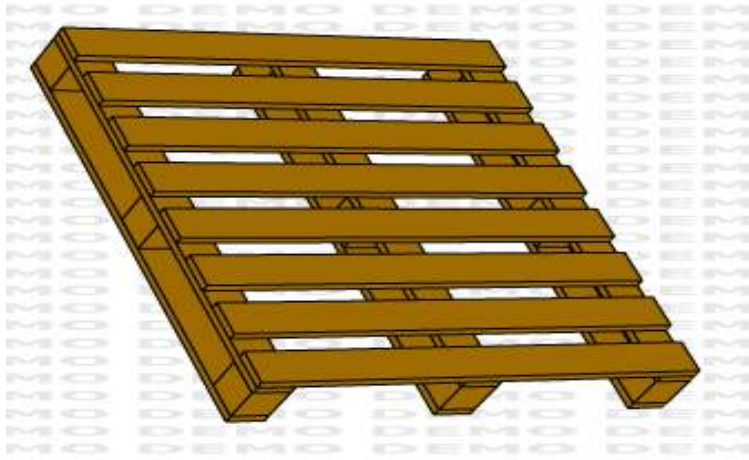
S.No	DESCRIPTION	DETAILS
1	DIMENSION	100 X 100 X 15CM
2	TYPE	BLOCK
3	ENTRY	FOUR WAY
4	BOTTOM	HALF FRAME
5	LOADING CAPACITY	1 TON - DYNAMIC 2 TON - STATIC
6	WOOD	SOFTWOOD



S.No	DESCRIPTION	DETAILS
1	DIMENSION	105 X 105 X 15CM
2	TYPE	BLOCK
3	ENTRY	FOUR WAY
4	BOTTOM	HALF FRAME
5	LOADING CAPACITY	1 TON - DYNAMIC 2 TON - STATIC
6	WOOD	SOFTWOOD



S.No	DESCRIPTION	DETAILS
1	DIMENSION	120 X 120 X 15CM
2	TYPE	BLOCK
3	ENTRY	FOUR WAY
4	BOTTOM	HALF FRAME
5	LOADING CAPACITY	1.25 TON - DYNAMIC 2.5 TON - STATIC
6	WOOD	SOFTWOOD



S.No	DESCRIPTION	DETAILS
1	DIMENSION	100 X 120 X 15CM
2	TYPE	BLOCK
3	ENTRY	FOUR WAY
4	BOTTOM	HALF FRAME
5	LOADING CAPACITY	1 TON - DYNAMIC 2 TON - STATIC
6	WOOD	SOFTWOOD

