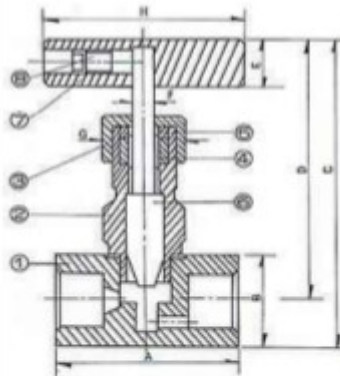


AVM Engineers

CLASS 6000 STAINLESS STEEL 316 NEEDLE VALVE

Pipe Threads: with ANSI B2.1, BS21 1973, or DIN 259. 6000 Psi.

SIZE: 1/4"-1"



NO	PART NAME	MATERIALS
1	BODY	SS 316
2	BODY DISC	SS 316
3	BONNET	SS 316
4	PACKING SEAT	PTFE
5	GLAND NUT	SS 316
6	STEM	SS 316
7	HANDLE	SS 410
8	HANDLE BONNET	CARBON STEEL

UNIT:mm

SIZE	A	B	C	D	E	F	G	H
MM INCH								
8 1/4	45	22	80	70	13	7	21	60
10 3/8	50	25	85	73	13	7	21	60
15 1/2	60	30	110	95	16	8	24	65
20 3/4	65	35	115	100	16	8	24	65
25 1	83	46	129	105	19	10	30	80

NEEDLE VALVE

CLASS



TECHNICAL DATA

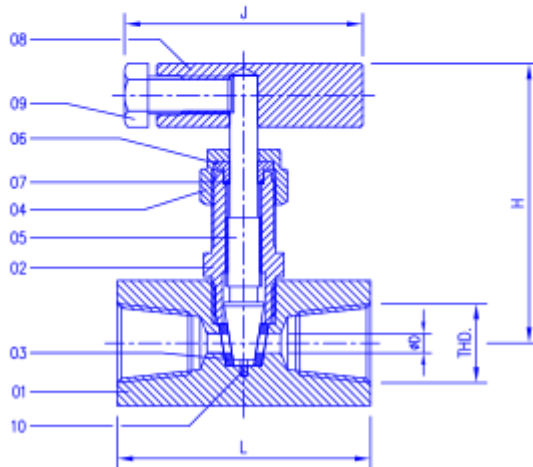
DESIGN & MANUFACTURING STD. :

TESTING & INSPECTION STD. :

FACE TO FACE :

END CONNECTIONS :

P. NO.	ITEM	QTY.	MATERIAL
01	BODY	1	S.S.
02	BONNET	1	S.S.
03	SEAT	1	--
04	STEM	1	S.S.
05	GLAND	1	S.S.
06	GLAND PACKING	1	PTFE
07	WASHER	2	S.S.
08	HANDLE	1	S.S.
09	HANDLE PIN	2	S.S.
10	SPRING DOWEL #1.59x4.75	1	S.S.



SIZE NB	L	ØD	H	J	THD.
8	64	5	71	60	1/4" NPT
10	64	5	71	60	3/8" NPT
15	64	5	71	60	1/2" NPT
20	64	5	71	60	3/4" NPT
25	64	5	71	60	1" NPT

ALL DIMENSION ARE IN MM

AVM Engineers

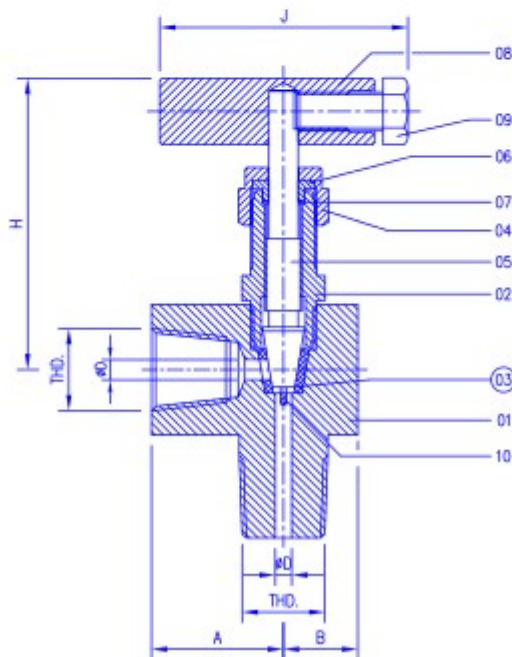
NEEDLE VALVE

CLASS



TECHNICAL DATA
 DESIGN & MANUFACTURING STD.:
 TESTING & INSPECTION STD.:
 FACE TO FACE:
 END CONNECTIONS:

P. NO.	ITEM	QTY.	MATERIAL
01	BODY	1	S.S.
02	BONNET	1	S.S.
03	SEAT	1	--
04	STEM	1	S.S.
05	GLAND	1	S.S.
06	GLAND PACKING	1	PTFE
07	WASHER	2	S.S.
08	HANDLE	1	S.S.
09	HANDLE PIN	2	S.S.
10	SPRING DOWEL #1.59x4.75	1	S.S.



SIZE NB	L	ØD	H	J	A	B	THD.
6	64	5	71	60	32	18	1/4" NPT
10	64	5	71	60	32	18	3/8" NPT
15	64	5	71	60	32	18	1/2" NPT
20	64	5	71	60	32	18	3/4" NPT
25	64	5	71	60	32	18	1" NPT

ALL DIMENSION ARE IN MM

AVM Engineers