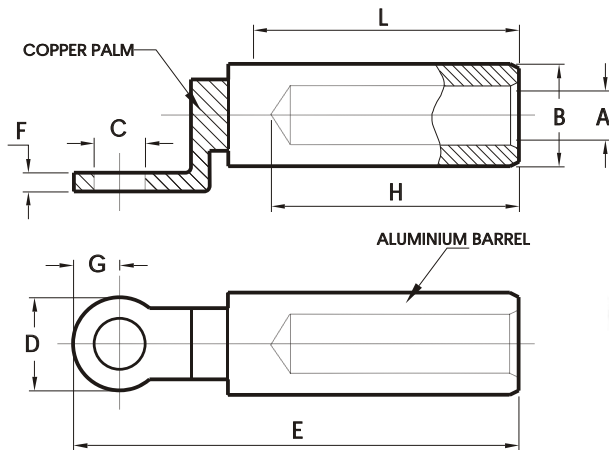


COMPRESSION CABLE LUGS - BIMETALLIC

MATERIAL : E-COPPER & AL 99.5%

FINISH : BRIGHT

FEATURES : BARREL PREFILLED WITH OXIDE INHIBITING COMPOUND & CAPPED AT THE END



CABLE SIZE mm ²	Ø E	CAT. NO.	DIMENSIONS IN mm									PER BOX
			A	B	C	D	E	F	G	H	L	
16	10.5	SXBM16-10	5.5	16	10.5	25	73	5	12.5	28	31	25
	13	SXBM16-12			13							
25	10.5	SXBM25-10	6.5	16	10.5	25	73	5	12.5	28	31	25
	13	SXBM25-12			13							
35	10.5	SXBM35-10	8	16	10.5	25	91	5	12.5	44	47	20
	13	SXBM35-12			13							
50	10.5	SXBM50-10	9	20	10.5	25	91	5	12.5	44	47	20
	13	SXBM50-12			13							
70	10.5	SXBM70-10	11	20	10.5	25	91	5.5	12.5	44	47	20
	13	SXBM70-12			13							
95	10.5	SXBM95-10	12.5	20	10.5	25	91	5.5	12.5	44	47	20
	13	SXBM95-12			13							
120	10.5	SXBM120-10	15	27	10.5	30	110	5.5	15	60	63	15
	13	SXBM120-12			13							
150	10.5	SXBM150-10	16	30	10.5	30	110	5.5	15	60	63	15
	13	SXBM150-12			13							
185	10.5	SXBM185-10	17	32	10.5	30	110	5.5	15	60	63	15
	13	SXBM185-12			13							
240	10.5	SXBM240-10	20	32	10.5	30	110	5.5	15	60	63	10
	13	SXBM240-12			13							
300	10.5	SXBM300-10	23.3	34	10.5	30	120	5.5	15	70	73	10
	13	SXBM300-12			13							

