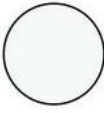




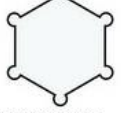








Type of Center Holes

- Round
- Square
- Square Round
- Clover Leaf / Square Clover Leaf
- Hexagonal
- Hexagonal Clover Leaf
- Rectangular Clover Leaf
- Round Square Clover Leaf
- Dual Square
- Dual Square Clover Leaf
- Key hole
- Square Round Corner

 ROUND	 SQUARE	 SQUARE ROUND	 CLOVER LEAF / SQUARE CLOVER LEAF	 HEXAGONAL	 HEXAGONAL CLOVER LEAF
 RECTANGULAR CLOVER LEAF	 ROUND SQUARE CLOVER LEAF	 DUAL SQUARE	 DUAL SQUARE CLOVER LEAF	 KEY HOLE	 SQUARE ROUND

Size Details of Harrow / Plough Disc Blades

Disc blade specification

Disc Blades made of SAE1070 / SAE1080 (High Carbon Steel) AND 30MnB5 / 28MnB5 (Boron Steel) as per material grade availability in the market. Varying in diameter from 12” to 30” and thicknesses from 3mm to 14mm. All disc Blades will receive heat treatment to enhance their own strength upon wear resistance, as they will encounter rocks, boulders and other obstructions while cutting through the ground, so service durability will be last longer compared to normal disc blades.

Disc blade characteristic:

A) - **Hardness: 38 - 46 HRC. For High Carbon steel.**

B) - **Hardness: 48 - 52 HRC. For Boron Steel.**

Scallop / Notches Disc Size Range (Standard)					
Diameter		Thickness	Concavity	No. of Scallop / Notches	Scallop / Notches Size
Inches	mm	mm	mm		Width x Depth
12	304.8	3	25	7	73 x 33
13	330.2	3 to 4	25	7	73 x 33
14	355.6	3 to 5	31, 38	9	73 x 33
16	406.4	3 to 5	35, 38, 54	9	76 x 40
18	457.2	3 to 6.5	44, 56, 67	9	80 x 40

20	508.0	3 to 6.5	57, 60, 69, 84	10	80 x 40
22	558.8	4 to 6.5	63, 70, 74, 78, 86	10	80 x 40
24	609.6	4 to 8	68, 76, 83, 88, 95	10	80 x 40
26	660.4	5 to 10	70, 77, 89, 98, 104, 109	10	90 x 50
28	711.2	6 to 10	95, 109	10	90 x 50
30	762.0	6 to 12	112	10	90 x 50

Plain Disc Size Range (Standard)

Diameter		Thickness	Concavity
Inches	mm	mm	mm
12	304.8	3	25
13	330.2	3 to 4	25
14	355.6	3 to 5	31, 38
16	406.4	3 to 5	35, 38, 54
18	457.2	3 to 6.5	44, 56, 67
20	508.0	3 to 6.5	57, 60, 69, 84
22	558.8	4 to 6.5	63, 70, 74, 78, 86
24	609.6	4 to 8	68, 76, 83, 88, 95
26	660.4	5 to 10	70, 77, 89, 98, 104, 109
28	711.2	6 to 10	95, 109
30	762.0	6 to 12	112