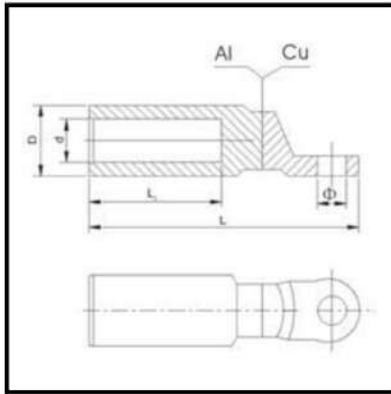




www.swastiklugs.in
spsslugs@yahoo.in



Factory Production Drawings

Item	D±0.2	d±0.2	L1±2	C±0.2	Ø±0.2	L±2	A±0.2
DTL-2-10	16	5	40	3	13	82	24
DTL-2-16	16	6	40	3	13	82	24
DTL-2-25	16	7	40	3	13	82	24
DTL-2-35	16	8.5	40	3	13	82	24
DTL-2-50	20	9.8	48	3.5	13	90	25
DTL-2-70	20	11.6	48	3.5	13	90	25
DTL-2-95	20	13.8	48	3.5	13	90	25
DTL-2-120	25	15.5	60	4.2	13	115	28
DTL-2-150	25	17	60	4.2	13	115	28
DTL-2-185	32	18.5	64	5	13	135	35
DTL-2-240	32	21.5	64	5	13	135	35
DTL-2-300	34	24	70	5.5	13	140	36
DTL-2-400	40	27.5	90	6	17	160	40
DTL-2-500	40	30	90	6	17	160	40
DTL-2-630	47	33.5	95	8.5	17	205	60

Attention please: c= The head thickness of copper

Tolerance = ± 5%