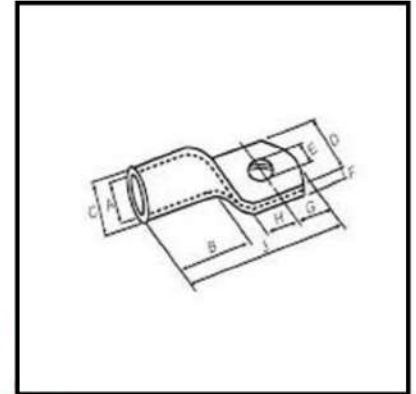




www.swastiklugs.in  
spsslugs@yahoo.in

## SWASTIK ALUMINIUM TUBE TERMINAL ENDS



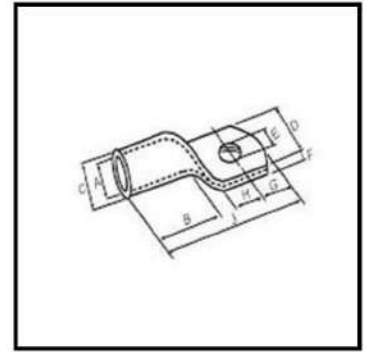
Area mm <sup>2</sup>	Cable Size	E	A	C	D	F	B	K	H	G	J	Swastik Cat No.
2.5	1/1.8	3.2	2.0	5.5	6.6	3.5	7.0	3	4	4	18	SAS 151
2.5	3/1.06	3.7	2.6	5.5	7.0	2.9	7.0	3	4	4	18	SAS 309
4	7/0.85	4.2	2.9	5.5	7.2	2.6	7.0	3	4	4	18	SAS 155
4	7/0.85	5.2	2.9	5.5	12.0	1.2	7.0	4	7	6	23	SAS 317
6	7/1.12	5.2	3.5	5.5	8.0	2.0	7.0	4	7	6	24	SAS 158
6	7/1.12	6.5	3.5	5.5	12.0	1.1	7.0	4	7	6	24	SAS 313
10	1/3.54	4.4	3.8	6.2	8.4	2.4	7.0	4	9	8	28	SAS 159
10	7/1.4	6.4	4.4	7.4	9.7	2.8	9.0	4	9	8	30	SAS 214
10	7/1.4	8.2	4.4	7.4	9.7	2.8	9.0	4	9	8	30	SAS 215
16	7/1.7	6.4	5.4	8.3	11.4	2.9	13.0	4	11	9	37	SAS 252
16	7/1.7	8.2	5.4	8.3	11.4	2.9	13.0	4	11	9	37	SAS 216
16	7/1.7	10.2	5.4	8.3	18.0	1.8	13.0	4	11	9	37	SAS 217
25	7/2.24	6.4	7.0	10.0	14.0	3.0	16.0	7	12	9	44	SAS 253
25	7/2.24	8.2	7.0	10.0	14.0	3.0	16.0	7	12	9	44	SAS 218
25	7/2.24	10.2	7.0	10.0	20.0	1.7	16.0	7	11	10	44	SAS 219
25	7/2.24	12.7	7.0	10.0	20.0	1.7	16.0	7	11	10	44	SAS 220
35	7/2.5	6.4	8.0	10.8	15.0	2.8	18.0	7	11	11	47	SAS 254
35	7/2.5	8.2	8.0	10.8	15.0	2.8	18.0	7	11	11	47	SAS 221
35	7/2.5	10.2	8.0	10.8	20.0	2.1	18.0	7	11	11	47	SAS 222
50	19/1.8	8.2	9.3	13.0	18.0	3.7	22.0	8	13	11	54	SAS 255
50	19/1.8	10.2	9.3	13.0	23.0	2.8	22.0	8	13	11	54	SAS 312
50	19/1.8	12.7	9.3	13.0	23.0	2.8	22.0	8	13	11	54	SAS 224

**Tolerance = ± 5%**



www.swastiklugs.in  
spsslugs@yahoo.in

## SWASTIK ALUMINIUM TUBE TERMINAL ENDS



Area mm <sup>2</sup>	Cable Size	E	A	C	D	F	B	K	H	G	J	Swastik Cat No.
70	19/2.24	8.2	11.6	16.0	22.0	4.4	26.0	8	13	13	60	SAS 256
70	19/2.24	10.2	11.6	16.0	22.0	4.4	26.0	8	13	13	60	SAS 225
70	19/2.24	12.7	11.6	16.0	22.0	4.4	26.0	8	13	13	60	SAS 226
95	19/2.5	10.2	12.9	17.1	25.0	4.2	28.0	8	14	14	64	SAS 227
95	19/2.5	12.7	12.9	17.1	25.0	4.2	28.0	8	14	14	64	SAS 228
95	19/2.5	16.2	12.9	17.1	25.0	4.2	28.0	8	14	14	64	SAS 229
120	37/2.06	10.2	14.8	19.6	28.0	4.8	32.0	11	15	15	73	SAS 257
120	37/2.06	12.7	14.8	19.6	28.0	4.8	32.0	11	15	15	73	SAS 230
120	37/2.06	16.2	14.8	19.6	28.0	4.8	32.0	11	15	15	73	SAS 231
150	37/2.24	10.2	16.1	21.2	31.0	5.1	34.0	11	17	17	79	SAS 258
150	37/2.24	12.7	16.1	21.2	31.0	5.1	34.0	11	17	17	79	SAS 232
150	37/2.24	16.2	16.1	21.2	31.0	5.1	34.0	11	17	17	79	SAS 233
185	37/2.5	10.2	18.0	23.7	34.0	5.7	36.0	12	18	18	84	SAS 311
185	37/2.5	12.7	18.0	23.7	34.0	5.7	36.0	12	18	18	84	SAS 234
185	37/2.8	16.2	18.0	23.7	34.0	5.7	36.0	12	18	18	84	SAS 235
225	37/3.0	12.7	20.6	27.0	39.0	6.4	40.0	14	20	20	94	SAS 320
240	37/3.0	12.7	22.0	28.0	40.0	6.0	44.0	14	22	22	102	SAS 236
240	61/2.5	16.2	22.0	28.0	40.0	6.0	44.0	14	22	22	102	SAS 237
300	61/2.5	16.2	24	31	45.7	7	47.0	14	27	27	115	SAS 300
300	61/3.0	20.3	24	31	45.7	7	47.0	14	27	27	115	SAS 259
400	61/3.0	20.3	28	36	51.0	8.0	56.0	13	31	30	130	SAS 260
500	91/2.65	20.3	30	41	58.0	11	60.0	15	33	32	140	SAS 296
630	91/3.0	20.3	35	46	66.0	11	69.0	16	35	34	154	SAS 261
800	91/3.35		39	51	73.0	12	77.0	25	39	39	180	SAS 318
1000	91/3.75		43.5	57	81.0	13.5	100.0	30	45	45	220	SAS 319

**Tolerance = ± 5%**