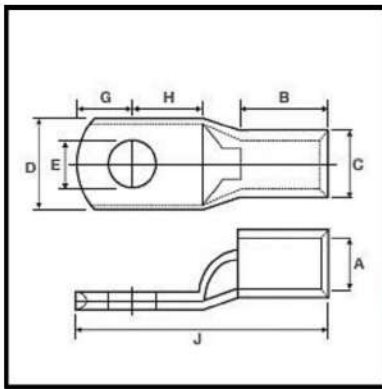




www.swastiklugs.in
spsslugs@yahoo.in

SWASTIK CRIMPING TYPW COPPER TUBBLAR TERMINAL ENDS FOR COPPER CONDUCTOR SUITABLE FOR I.C.F



DIMENSIONS (MM)											
Mm ²	Hole e	A	C	D	F	B	K	H	G	J	SWASTIK CAT NO
11-17	5.2	6.0	8.5	11.9	2.5	14.0	3.0	10.0	6.0	33.0	SCS-106
11-17	6.5	6.0	8.5	11.9	2.5	14.0	3.0	10.0	6.0	33.0	SCS-145
11-17	8.2	6.0	8.5	16.0	1.7	14.0	3.0	11.0	9.0	37.0	SCS-146
11-17	10.2	6.0	8.5	16.0	1.7	14.0	4.0	11.0	9.0	37.0	SCS-109
17-23	5.2	7.1	10.2	14.3	3.1	18.0	4.0	10.0	7.0	39.0	SCS-107
17-23	6.5	7.1	10.2	14.3	3.1	18.0	4.0	10.0	7.0	39.0	SCS-147
17-23	8.2	7.1	10.2	14.3	3.1	18.0	4.0	10.0	7.0	39.0	SCS-148
17-23	10.2	7.1	10.0	19.0	2.2	18.0	4.0	12.0	10.0	44.0	SCS-108
23-29	5.2	8.0	11.7	16.3	3.7	18.0	4.0	11.0	8.0	41.0	SCS-110
23-29	6.5	8.0	11.7	16.3	3.7	18.0	4.0	11.0	8.0	41.0	SCS-149
23-29	8.2	8.0	11.7	16.3	3.7	18.0	4.0	11.0	8.0	41.0	SCS-150
23-29	10.2	8.0	11.7	20.0	2.8	18.0	4.0	14.0	11.0	47.0	SCS-151
23-29	13.0	8.0	11.7	20.0	2.8	18.0	4.0	14.0	11.0	47.0	SCS-111
29-45	5.2	9.8	13.7	19.3	3.9	18.0	5.0	10.0	10.0	43.0	SCS-116
29-45	6.5	9.8	13.7	19.3	3.9	18.0	5.0	10.0	10.0	43.0	SCS-152
29-45	8.2	9.8	13.7	19.3	3.9	18.0	5.0	10.0	10.0	43.0	SCS-153
29-45	10.2	9.8	13.7	19.3	3.9	18.0	5.0	10.0	10.0	43.0	SCS-154
29-45	13.0	9.8	13.7	22.0	3.2	18.0	5.0	14.0	11.0	48.0	SCS-113

MATERIAL: COPPER : 1897
FINIS : ELECTRO TINNED

Tolerance = ± 5%



www.swastiklugs.in
spsslugs@yahoo.in

SWASTIK CRIMPING TYPW COPPER TUBBLAR TERMINAL ENDS FOR COPPER CONDUCTOR SUITABLE FOR I.C.F

		DIMENSIONS (MM)									
45-57	6.5	11.1	15.8	22.0	4.7	24.0	6.0	15.0	11.0	56.0	SCS-112
45-57	8.2	11.1	15.8	22.0	4.7	24.0	6.0	15.0	11.0	56.0	SCS-155
45-57	10.2	11.1	15.8	22.0	4.7	24.0	6.0	15.0	11.0	56.0	SCS-156
45-57	13.0	11.1	15.8	22.0	4.7	24.0	6.0	15.0	11.0	56.0	SCS-157
57-75	6.5	12.6	17.8	25.0	5.2	24.0	6.0	15.0	13.0	58.0	SCS-114
57-75	8.2	12.6	17.8	25.0	5.2	24.0	6.0	15.0	13.0	58.0	SCS-158
57-75	13.2	12.6	17.8	25.0	5.2	24.0	6.0	15.0	13.0	58.0	SCS-159
57-75	13.0	12.6	17.8	25.0	5.2	24.0	6.0	15.0	13.0	58.0	SCS-160
75-90	6.5	13.7	19.1	26.9	5.4	24.0	6.0	16.0	13.0	59.0	SCS-137
75-90	8.2	13.7	19.1	26.9	5.4	24.0	6.0	16.0	13.0	59.0	SCS-161
75-90	10.2	13.7	19.1	26.9	5.4	24.0	6.0	16.0	13.0	59.0	SCS-162
75-90	13.0	13.7	19.1	26.9	5.4	24.0	6.0	16.0	13.0	59.0	SCS-163
90-110	6.5	15.3	20.9	29.6	5.6	24.0	6.0	17.0	15.0	62.0	SCS-115
90-110	8.2	15.3	20.9	29.6	5.6	24.0	6.0	17.0	15.0	62.0	SCS-164
90-110	13.0	15.3	20.9	29.6	5.6	24.0	6.0	17.0	15.0	62.0	SCS-166
110-146	8.2	17.5	24.0	34.0	6.5	29.0	7.0	18.0	17.0	71.0	SCS-138
110-146	10.2	17.5	24.0	34.0	6.5	29.0	7.0	18.0	17.0	71.0	SCS-167
110-146	13.0	17.5	24.0	34.0	6.5	29.0	7.0	18.0	17.0	71.0	SCS-168
110-146	17.0	17.5	24.0	34.0	6.5	29.0	7.0	18.0	17.0	71.0	SCS-169
146-183	10.2	19.8	26.9	38.2	7.1	29.0	8.0	21.0	18.0	76.0	SCS-128
146-183	13.0	19.8	26.9	38.2	7.1	29.0	8.0	21.0	18.0	76.0	SCS-170
146-183	17.0	19.8	26.9	38.2	7.1	29.0	8.0	21.0	18.0	76.0	SCS-171
183-225	10.2	21.9	29.7	42.2	7.8	29.0	9.0	24.0	21.0	83.0	SCS-139
183-225	13.0	21.9	29.7	42.2	7.8	29.0	9.0	24.0	21.0	83.0	SCS-172
183-225	17.0	21.9	29.7	42.2	7.8	29.0	9.0	24.0	21.0	83.0	SCS-173
183-225	21.0	21.9	29.7	42.2	7.8	29.0	9.0	24.0	21.0	83.0	SCS-174

MATERIAL: COPPER : 1897
FINIS : ELECTRO TINNED

Tolerance = ± 5%



www.swastiklugs.in
spsslugs@yahoo.in

SWASTIK CRIMPING TYPW COPPER TUBBLAR TERMINAL ENDS FOR COPPER CONDUCTOR SUITABLE FOR I.C.F

		DIMENSIONS (MM)									
225-299	13.0	25.4	34.0	48.5	8.6	29.0	10.0	26.0	24.0	89.0	SCS-140
225-299	17.0	25.4	34.0	48.5	8.6	29.0	10.0	26.0	24.0	89.0	SCS-175
225-299	21.0	25.4	34.0	48.5	8.6	29.0	10.0	26.0	24.0	89.0	SCS-176
299-366	13.0	28.0	37.6	53.6	9.6	38.0	11.0	29.0	27.0	105.0	SCS-141
299-366	17.0	28.0	37.6	53.6	9.6	38.0	11.0	29.0	27.0	105.0	SCS-177
299-366	21.0	28.0	37.6	53.6	9.6	38.0	11.0	29.0	27.0	105.0	SCS-178
366-437	13.0	30.5	41.7	59.1	11.2	38.0	12.0	32.0	29.0	111.0	SCS-142
366-437	17.0	30.5	41.7	59.1	11.2	38.0	12.0	32.0	29.0	111.0	SCS-179
366-437	21.0	30.5	41.7	59.1	11.2	38.0	12.0	32.0	29.0	111.0	SCS-180

MATERIAL: COPPER : 1897
FINIS : ELECTRO TINNED

Tolerance = ± 5%