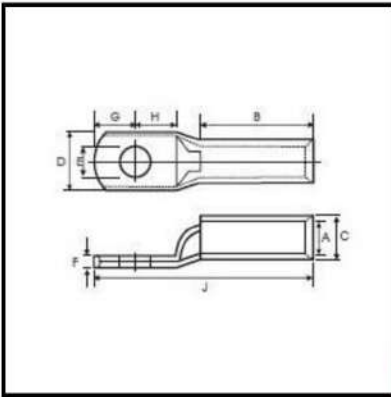




www.swastiklugs.in  
spsslugs@yahoo.in

## SWASTIK COPPER TUBE TERMINALS LIGHT DUTY LONG BARREL



MM <sup>2</sup>	E BOLT MM $\phi$	DIMENSIONS (MM)									SWASTIK CAT NO.
		A	C	D	F	B	K	H	G	J	
2.5	M5	2.0	3.7	9.0	1.0	10.5	3	5	5	23.5	SLB-05
4	M6	3.1	4.8	11.0	1.0	10.5	3	6	6	25.5	SLB-06
6	M6	3.8	5.5	11.0	1.0	13.5	3	6	6	28.5	SLB-07
10	M6	4.4	6.2	11.0	1.3	13.5	3	6	6	28.5	SLB-08
16	M6	5.3	7.1	11.0	1.6	18.0	4	8	6	36	SLB-09
25	M6	7.0	9.0	13.0	2.0	18.0	5	12	8	43	SLB-10
35	M6	8.0	10.0	15.0	2.0	18.0	5	12	8	43	SLB-11
	M8										SLB-12
50	M6	9.2	11.2	16.0	2.0	24.0	8	11	10	53	SLB-13
	M8										SLB-14
	M10										SLB-15
70	M8	11.6	13.8	20.0	2.0	27.0	10	15	13	65	SLB-16
	M10										SLB-17
	M12										SLB-18
95	M10	12.8	15.6	23.0	2.8	30.0	10	15	13	68	SLB-19
	M12										SLB-20
120	M10	14.8	17.8	26.0	3.0	30.0	10	16	14	73	SLB-21
	M12										SLB-22
	M16										SLB-23

**MATERIAL : COPPER : 1897**  
**FINISH : ELECTRO TINNED**

**Tolerance =  $\pm 5\%$**



www.swastiklugs.in  
spsslugs@yahoo.in

## SWASTIK COPPER TUBE TERMINALS LIGHT DUTY LONG BARREL

MM <sup>2</sup>	E BOLT MM $\phi$	DIMENSIONS (MM)									SWASTIK CAT NO.
		A	C	D	F	B	K	H	G	J	
150	M10	16.0	19.6	28.0	3.6	39.0	11	18	15	83	SLB-24
	M12										SLB-25
	M16										SLB-26
185	M12	18.0	22.0	32.0	4.0	45.0	11	21	21	98	SLB-27
	M16										SLB-28
225	M16	20.0	24.0	35.0	4.0	51.0	13	24	24	112	SLB-231
240	M16	22.0	26.0	38.0	4.0	54.0	13	24	24	115	SLB-29
	M20										SLB-30
300	M16	24.0	28.7	42.0	4.7	58.0	13	26	25	122	SLB-31
	M20										SLB-32
400	M20	28.0	33.2	49.0	5.2	66.0	18	27	27	138	SLB-33
500	M20	30.0	36.0	53.0	6.0	72.0	18	27	27	144	SLB-34
630	M20	35.0	41.5	61.0	6.5	83.0	18	30	31	165	SLB-35
800		39.0	46.3	67.0	7.3	98.0	25	38	37	198	SLB-62
1000		40.0	53.8	76.0	10.8	135.0	30	45	45	255	SLB-76

**MATERIAL : COPPER : 1897**  
**FINISH : ELECTRO TINNED**

**Tolerance =  $\pm$  5%**