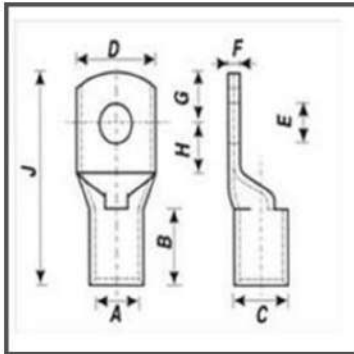




www.swastiklugs.in
spsslugs@yahoo.in

SWASTIK COPPER TUBE TERMINALS (LIGHT DUTY)



DIMENSIONS(MM)

MM ²	Cable size	E	A	C	D	F	B	K	H	G	J	Swastik Cat No.
2.5	1/1.8	5.2	2.0	3.7	9	1.0	7	3	5	5	20	SCS-05
4	1/2.8	6.5	3.1	4.8	11	1.0	7	3	6	6	22	SCS-06
6	1/3.55	6.5	3.8	5.5	11	1.0	9	3	6	6	24	SCS-07
10	7/1.4	6.5	4.4	6.2	11	1.3	9	3	6	6	24	SCS-08
16	7/1.7	6.5	5.3	7.1	11	1.6	12	4	8	6	30	SCS-09
25	7/2.24	6.5	7.0	9.0	13	2.0	12	5	12	8	37	SCS-10
35	7/2.5	6.5	8.0	10.0	15	2.0	12	5	12	8	37	SCS-11
35	7/2.5	8.2	8.0	10.0	15	2.0	12	5	12	8	37	SCS-12
50	19/1.8	6.5	9.2	11.2	16	2.0	16	8	12	9	45	SCS-13
50	19/1.8	8.2	9.2	11.2	16	2.0	16	8	12	9	45	SCS-14
50	19/1.8	10.2	9.2	11.2	16	2.0	16	8	12	9	45	SCS-15
70	19/2.4	8.2	11.6	13.8	20	2.2	18	10	15	13	56	SCS-16
70	19/2.4	10.2	11.6	13.8	20	2.2	18	10	15	13	56	SCS-17
70	19/2.4	12.7	11.6	13.8	20	2.2	18	10	15	13	56	SCS-18
95	19/2.5	10.2	12.8	15.6	23	2.8	20	10	15	13	58	SCS-19
95	19/2.5	12.7	12.8	15.6	23	2.8	20	10	15	13	58	SCS-20
120	37/2.06	10.7	14.8	17.8	26	3.0	22	10	16	14	62	SCS-21
120	37/2.06	12.7	14.8	17.8	26	3.0	22	10	16	14	62	SCS-22
120	37/2.06	16.2	14.8	17.8	26	3.0	22	10	16	14	62	SCS-23

MATERIAL : COPPER : 1897
FINISH : ELECTRO TINNED

Tolerance = ± 5%



www.swastiklugs.in
spsslugs@yahoo.in

SWASTIK COPPER TUBE TERMINALS (LIGHT DUTY)

DIMENSIONS(MM)												
MM ²	Cable size	E	A	C	D	F	B	K	H	G	J	Swastik Cat No.
150	37/2.24	10.2	16.0	19.6	28	3.6	26	11	18	15	70	SCS-24
150	37/2.24	12.7	16.0	19.6	28	3.6	26	11	18	15	70	SCS-25
150	37/2.24	16.2	16.0	19.6	28	3.6	26	11	18	15	70	SCS-26
185	37/2.5	12.7	18.0	22.0	32	4.0	28	13	21	21	83	SCS-27
185	37/2.5	16.2	18.0	22.0	32	4.0	28	13	21	21	83	SCS-28
225	37/2.8	16.2	20.0	24.0	35	4.0	32	15	24	24	95	SCS-231
240	61/2.24	16.2	22.0	26.0	38	4.0	34	15	24	24	95	SCS-29
240	61/2.24	20.3	22.0	26.0	38	4.0	34	15	24	24	95	SCS-30
300	61/2.5	16.2	24.0	28.7	42	4.7	36	16	25	25	103	SCS-31
300	61/2.5	20.3	24.0	28.7	42	4.7	36	16	25	25	103	SCS-32
400	61/3.0	20.3	28.0	33.2	49	5.2	44	18	27	27	116	SCS-33
500	91/2.65	20.3	30.0	36.0	53	6.0	48	18	27	27	120	SCS-34
630	91/3.0	20.3	35.0	41.5	61	6.5	53	20	33	31	137	SCS-35
800	91/3.35	–	39.0	46.3	67	7.3	68	25	38	37	165	SCS-62
1000	91/3.75	–	43.0	53.8	76	10.8	90	30	45	45	210	SCS-76

MATERIAL : COPPER : 1897
FINISH : ELECTRO TINNED

Tolerance = ± 5%