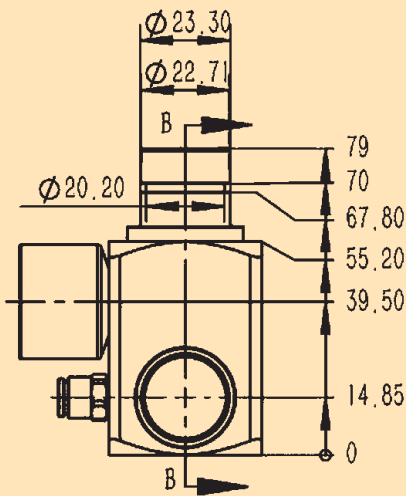
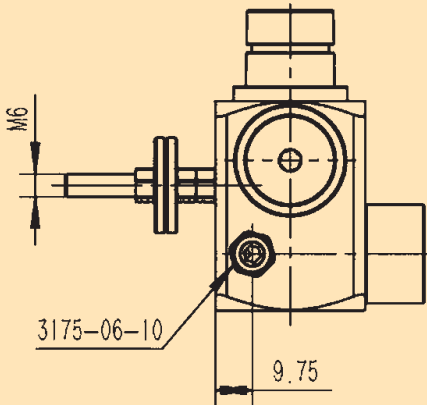




O₂ FLUSH DEVICE



Description

The O₂ Flush device is suitable for a quick oxygen supply directly at the mixed gases outlet at the end of an anesthesia circuit. Made of anodized aluminum, it is equipped with an anesthetic mixture inlet connection, an oxygen enriched mixture outlet connection, an O₂ feeding connection and a supply button. Different constructions can be made on request.

Specifications

Sizes (LxWxH)	93x63x80 mm
Weight	0.34 Kg
Mixed gases inlet connection	conical connection 23 mm M., ISO DIN 5356/1
Mixed gases outlet connection	conical connection 23 mm F., ISO DIN 5356/1
Feeding	3.5 - 5 bar ± 20%
O₂ feeding connection	Automatic type for Ø 6 mm PA hose
O₂ quick supply	When pushed it can supply more than 45 L/min. O ₂ (at 3.5 bar)



CM Flowmeters (India) Pvt. Ltd.

Plot 2 Phase III Kasba Industrial Estate EM Bypass Kolkata 700 107 INDIA
Phone : 91 33 2442 1456, 2443 0201 Fax : 91 33 2443 0201
Email : sales@cmflowmeters.in URL : www.cmflowmeters.in