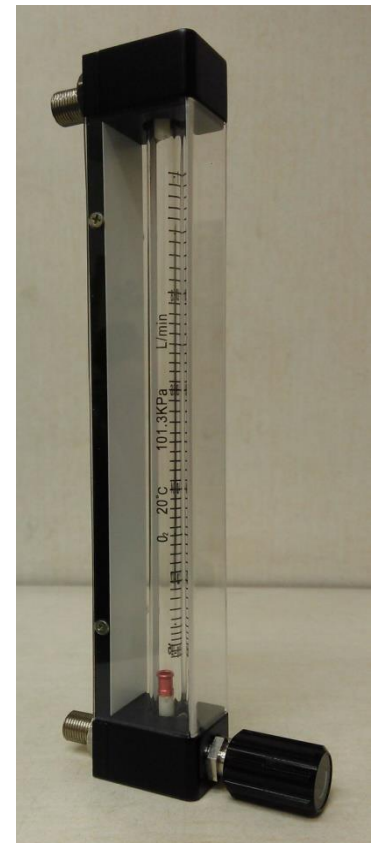
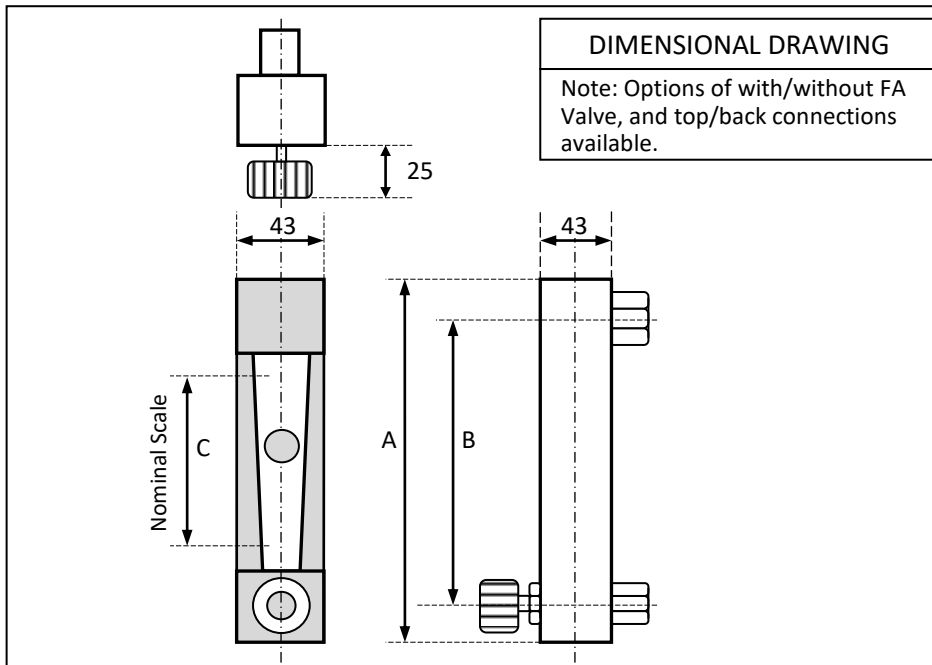


DESIGN FEATURES

- Ten to one rangeability
- Heavy wall, precision bore, borosilicate glass metering tubes with contrasting background
- Scales fused on metering tubes, or scales with conversion chart
- Tube sealed on compression gaskets by threaded seal
- Easy removable tubes without disconnecting the instrument
- There is no metal side plate. Single piece acrylic covers front and side for easy visibility.

DESCRIPTION

The CM series of flowmeters provide an economical means of flow rate indication and control for general use, and laboratory applications. The instruments are ideal for common applications like purging services, cooling water flow indication, bearing lubrication, carrier gas flow rate indication, fuel flow indication, in chromatography and atomic absorption and indication and control of doping gas in electronic crystal growing furnaces.



Tube code	Connection		A	B	C
101	1/8" BSP/NPT	3-6mm Festo 6-12mm Nipple	142	122	60
111-112, 151-152	1/8" BSP/NPT	3-6mm Festo 6-12mm Nipple	192	172	90
121-122, 161-162	1/8" BSP/NPT	3-6mm Festo 6-12mm Nipple	272	252	150
171-172	1/8" BSP/NPT	3-6mm Festo 6-12mm Nipple	342	322	230

PRODUCT FEATURES :

- ❖ **FA Needle Valve** - Provides a greater number of turns affording greater precision control with higher resolution. The valve provides positive shut-off. The valve can be installed at the inlet or the outlet fitting of the flowmeter.
- ❖ **Fitting & connection materials** –Standard : SS 304, Optionally SS 316, brass available
- ❖ **Gland/O-rings** -Viton or Neoprene options available
- ❖ **Body** - made from SS 304 as standard. Optionally SS 316, brass available
- ❖ Front and sides are covered by a single acrylic cover for easy visibility of the flow tube.
- ❖ **Metering tube material** : Borosilicate glass
- ❖ **Float material**: Glass, Aluminum, 316 SS, PVC, Teflon, as required. (See selection table)
- ❖ **Float stop material**: Teflon, PA
- ❖ **Tube packing material** : Viton, Neoprene
- ❖ **O-Ring material**: Viton, Neoprene
- ❖ **Repeatability** : $\pm 0.5\%$
- ❖ **Rangeability** : 10:1
- ❖ **Maximum operating pressure** : 1400 kPa (14 bar)
- ❖ **Maximum operating temperature** : 120°C

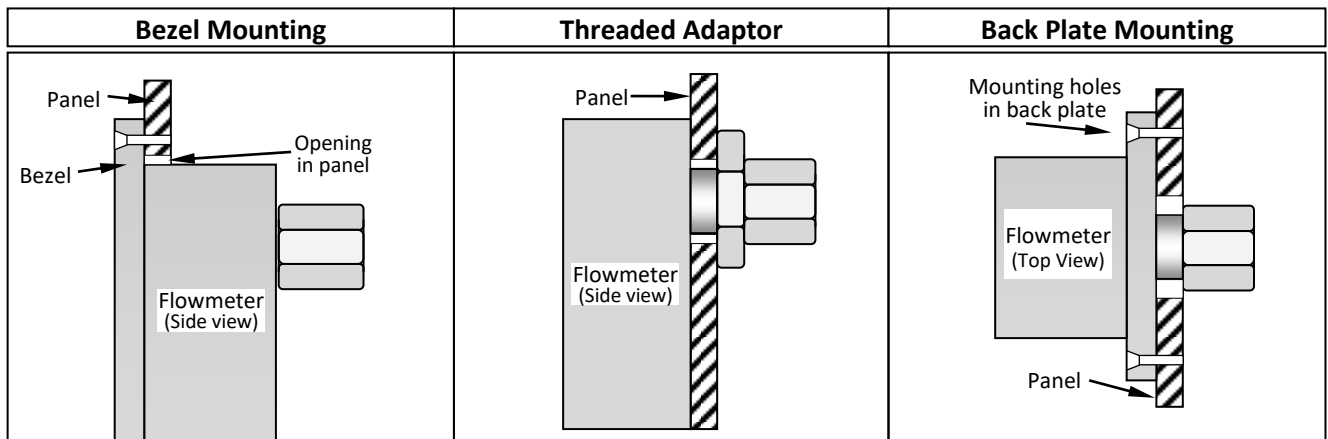


CM FLOWMETERS
(INDIA) PVT LTD

CM Flowmeters (India) Pvt., Ltd.

Plot-2, Phase-3, Kasba Industrial Estate, Kolkata-700107, India.

Ph: +91 33 2442 1456; email :sales@cmflowmeters.in; web: www.cmflowmeters.in



MOUNTING OPTIONS

- ❖ **Bezel mounting (Flush type)** - Can be equipped with Alu/plastic bezel for flush panel mounting. (See drawing)
- ❖ **Panel mounting with Threaded adaptors**-Can be supplied with mounting nuts for front panel mounting.
- ❖ **Panel / wall mounting with back flange** – Can be supplied with extended back plate with mounting holes.
- ❖ **Table model** : Can be supplied with a base for use in laboratory or research area. The base comes with leveling screws and a bulls eye spirit level for easy and quick leveling on the table.

Capacity table for flowmeter selection

Tube CODE	Tube size Ø x L mm	Scale Length (Nominal) mm	Float type					
			▽	▽	●	●	●	▽
			(1) Aluminium Conical hollow	(2) SS-304/316 Conical hollow	(3) SS-304/316 Ball	(4) PVC/Teflon Ball	(5) Glass Ball	(6) SS-304/316 Conical
		Min- Max LPM Air	Min- Max LPM Air	Min- Max LPM Air	Min- Max LPM Air	Min- Max LPM Air	Min- Max LPH Water	
101	10100	60	0.05 - 0.5	0.1 - 1	0.1 - 1	0.02 - 0.2	0.05 - 0.5	0.1 - 2
111	10150	90	0.05 - 0.5	0.1 - 1	0.1 - 1	0.02 - 0.2	0.05 - 0.5	0.2 - 2
112			0.1 - 1	0.2 - 2	0.2 - 2	0.05 - 0.5	0.1 - 1	0.4 - 4
121	10230	150	0.1 - 1	0.2 - 2	0.2 - 2	0.05 - 0.5	0.1 - 1	0.2 - 2
122			0.2 - 2	0.4 - 4	0.4 - 4	0.1 - 1	0.2 - 2	0.8 - 8
151	15150	90	0.2 - 2	0.4 - 4	0.4 - 4	0.1 - 1	0.2 - 2	0.8 - 8
152			0.5 - 5	1 - 10	1 - 10	0.3 - 3	0.5 - 5	2 - 20
161	15230	150	0.5 - 5	1 - 10	1 - 10	0.3 - 3	0.5 - 5	2 - 20
162			1 - 10	2 - 20	2 - 20	0.5 - 5	1 - 10	4 - 40
171	15300	230	1 - 10	2 - 20	2 - 20	0.5 - 5	1 - 10	4 - 40
172			1 - 15	3 - 30	3 - 30	1 - 10	1 - 15	6 - 60

SPECIFICATIONS / ORDERING INFORMATION

Features	Options	Features	Options
Accuracy :	Standard $\pm 10\%$ F.S., Optional $\pm 5\%$ F.S For higher accuracy, please enquire.	Gland packing:	Standard : Neoprene, Optional : Viton
Connection Type:	Top-bottom or back	O-rings:	Standard : Neoprene, Optional : Viton
Connection Size:	See Table above	Body (wetted parts):	Standard: SS 314, Optional: SS 316, Brass
Scale:	Printed on tube, or mm scale with chart	FA Valve:	Available with or without FA valve
Mounting :	Bezel, Threaded Adapter, Back Plate		Standard configuration- FA valve at outlet. Also available with FA valve at inlet.

Calibration: We can provide calibration certificate (batch or individual) with national traceability with our flowmeters if required. We also provide calibration services and calibrate/service flowmeters of any make.



CM FLOWMETERS
(INDIA) PVT LTD

CM Flowmeters (India) Pvt., Ltd.

Plot-2, Phase-3, Kasba Industrial Estate, Kolkata-700107, India.

Ph: +91 33 2442 1456; email :sales@cmflowmeters.in; web: www.cmflowmeters.in