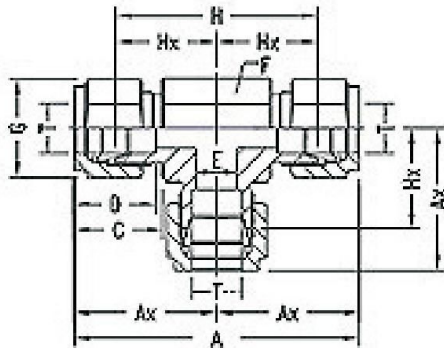


UNION TEE



INCH OD Tubes

T Tube OD	A	Ax	C	D	E min.	F A/F	G A/F	H	Hx	FITEXCEL PART NO.
1/16	35.6	17.8	11.0	8.6	1.3	11	8	28.0	14.0	FUT-551
1/8	44.8	22.4	15.3	12.7	2.4	11	11	31.6	15.8	FUT-552
1/4	53.8	26.9	17.8	15.3	4.8	14	14	39.2	19.6	FUT-553
5/16	57.4	28.7	18.5	16.3	6.3	16	16	42.6	21.3	FUT-554
3/8	61.0	30.5	19.3	16.8	7.1	17	17	46.4	23.2	FUT-555
1/2	72.0	36.0	21.8	22.9	10.4	22	22	51.8	25.9	FUT-556
5/8	76.2	38.1	21.8	24.4	12.7	24	25	55.8	27.9	FUT-557
3/4	79.8	39.9	21.8	24.4	15.8	27	28.5	59.4	29.7	FUT-558
7/8	89.4	44.7	21.8	25.9	18.2	35	32	69.2	34.6	FUT-559
1	98.0	49.0	26.4	31.2	22.3	35	38	73.6	36.8	FUT-560



METRIC OD Tubes

T Tube OD	A	Ax	C	D	E min.	F A/F	G A/F	H	Hx	FITEXCEL PART NO.
3	44.6	22.3	15.3	12.9	2.4	11	11	31.4	15.7	FUT-561
6	54.0	27.0	17.7	15.3	4.8	14	14	39.2	19.6	FUT-562
8	57.6	28.8	18.6	16.2	6.3	16	16	42.6	21.3	FUT-563
10	63.0	31.5	19.5	17.2	7.9	17	19	47.8	23.9	FUT-564
12	72.0	36.0	22.0	22.8	9.5	22	22	51.8	25.9	FUT-565
14	76.0	38.0	22.0	24.4	11.1	24	25	55.8	27.9	FUT-566
15	76.0	38.0	22.0	24.4	11.9	24	25	55.8	27.9	FUT-567
16	76.0	38.0	22.0	24.4	12.7	24	25	55.8	27.9	FUT-568
18	79.6	39.8	22.0	24.4	15.1	27	30	59.4	29.7	FUT-569
20	89.2	44.6	22.0	26.0	15.9	32	32	69.0	34.5	FUT-570
22	89.2	44.6	22.0	26.0	18.3	32	32	69.0	34.5	FUT-571
25	98.2	49.1	26.5	31.3	21.8	35	38	73.6	36.8	FUT-572