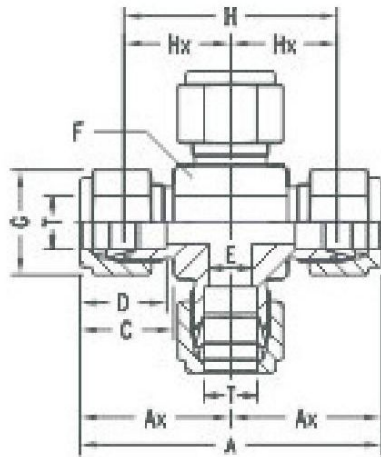
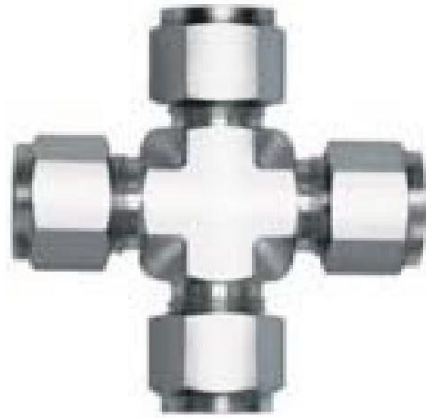


UNION CROSS



INCH OD Tubes

T Tube OD	A	Ax	C	D	E min.	F A/F	G A/F	H	Hx	FITXCEL PART NO.
1/8	44.8	22.4	15.3	12.7	2.4	11	11	31.6	15.8	FUC-581
1/4	53.8	26.9	17.8	15.3	4.8	14	14	39.2	19.6	FUC-582
3/8	61.0	30.5	19.3	16.8	7.1	17	17	46.4	23.2	FUC-583
1/2	72.0	36.0	21.8	22.9	10.4	22	22	51.8	25.9	FUC-584
3/4	79.8	39.9	21.8	24.4	15.8	27	28.5	59.4	29.7	FUC-585
1	98.0	49.0	26.4	31.2	22.3	35	38	73.6	36.8	FUC-586

METRIC OD Tubes

T Tube OD	A	Ax	C	D	E min.	F A/F	G A/F	H	Hx	FITEXCEL PART NO.
3	44.6	22.3	15.3	12.9	2.4	11	11	31.4	15.7	FUC-587
6	54.0	27.0	17.7	15.3	4.8	14	14	39.2	19.6	FUC-588
8	57.6	28.8	18.6	16.2	6.3	16	16	42.6	21.3	FUC-589
10	63.0	31.5	19.5	17.2	7.9	17	19	47.8	23.9	FUC-590
12	72.0	36.0	22.0	22.8	9.5	22	22	51.8	25.9	FUC-591
16	76.0	38.0	22.0	24.4	12.7	24	25	55.8	27.9	FUC-592
22	89.2	44.6	22.0	26.0	18.3	32	32	69.0	34.5	FUC-593
25	98.2	49.1	26.5	31.3	21.8	35	38	73.6	36.8	FUC-594

Dimensions are for reference only and are subject to change without Notice