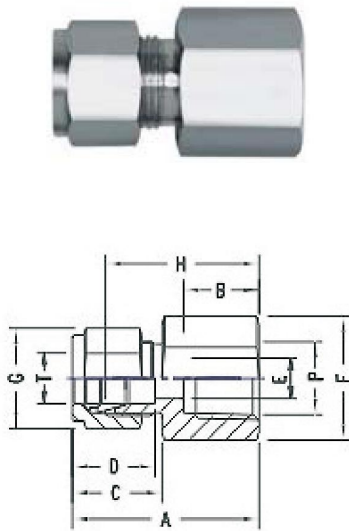


FEMALE CONNECTOR

INCH OD Tubes X Female NPT Threads



T Tube OD	P ISO Female	A	B	C	D	E min	F A/F	G A/F	H	FITEXCEL PART NO.
1/16	1/16	23.6	9.9	11.0	8.6	1.3	11	8	19.8	FFC-318-N
1/8	1/8	28.7	10.4	15.3	12.7	2.4	14	11	22.1	FFC-319-N
1/8	1/4	33.6	15.0	15.3	12.7	2.4	19	11	26.9	FFC-320-N
1/4	1/8	31.2	9.9	17.8	15.3	4.8	14	14	23.9	FFC-321-N
1/4	1/4	35.8	15.0	17.8	15.3	4.8	19	14	28.5	FFC-322-N
1/4	3/8	37.6	15.0	17.8	15.3	4.8	22	14	30.2	FFC-323-N
1/4	1/2	42.4	19.8	17.8	15.3	4.8	27	14	35.0	FFC-324-N
5/16	1/8	32.0	10.4	18.5	16.3	6.3	14	16	24.6	FFC-325-N
5/16	1/4	36.8	15.0	18.5	16.3	6.3	19	16	29.5	FFC-326-N
3/8	1/4	32.8	10.4	19.3	16.8	7.1	16	17	25.4	FFC-327-N
3/8	3/8	37.6	15.0	19.3	16.8	7.1	19	17	30.2	FFC-328-N
3/8	1/2	39.1	15.0	19.3	16.8	7.1	22	17	31.8	FFC-329-N
3/8	1/2	43.9	19.8	19.3	16.8	7.1	27	17	36.6	FFC-330-N
1/2	1/4	40.4	15.0	21.8	22.9	10.4	22	22	30.2	FFC-331-N
1/2	3/8	41.9	15.0	21.8	22.9	10.4	22	22	30.2	FFC-332-N
1/2	1/2	46.7	19.8	21.8	22.9	10.4	27	22	36.6	FFC-333-N
1/2	3/4	48.3	20.6	21.8	22.9	10.4	32	22	38.1	FFC-334-N
5/8	3/8	41.9	15.0	21.8	24.4	12.7	24	25	31.8	FFC-335-N
5/8	1/2	46.7	19.8	21.8	24.4	12.7	27	25	36.6	FFC-336-N
3/4	1/2	46.7	19.8	21.8	24.4	15.8	27	28.5	36.6	FFC-337-N
3/4	3/4	48.3	20.6	21.8	24.4	15.8	35	28.5	38.1	FFC-338-N
1	3/4	53.4	20.6	26.4	31.2	22.3	35	38	41.2	FFC-339-N
1	1	62.3	25.4	26.4	31.2	22.3	41	38	50.0	FFC-340-N

METRIC OD Tubes x Female NPT Threads

T Tube OD	P ISO Female	A	B	C	D	E min	F A/F	G A/F	H	FITEXCEL PART NO.
3	1/8	28.7	10.4	15.3	12.9	2.4	14	11	22.1	FFC-341-N
3	1/4	33.5	15.0	15.3	12.9	2.4	19	11	26.9	FFC-342-N
6	1/8	31.3	10.4	17.7	15.3	4.8	14	14	23.9	FFC-343-N
6	1/4	35.8	15.0	17.7	15.3	4.8	19	14	28.4	FFC-344-N
6	3/8	37.6	15.0	17.7	15.3	4.8	22	14	30.2	FFC-345-N
6	1/2	42.5	19.8	17.7	15.3	4.8	27	14	35.1	FFC-346-N
8	1/8	32.1	10.4	18.6	16.2	6.3	14	16	24.6	FFC-347-N
8	1/4	37.0	15.0	18.6	16.2	6.3	19	16	29.5	FFC-348-N
8	3/8	38.5	15.0	18.6	16.2	6.3	22	16	31.0	FFC-349-N
8	1/2	43.3	19.8	18.6	16.2	6.3	27	16	35.8	FFC-350-N
10	1/4	37.8	15.0	19.5	17.2	7.9	19	19	30.2	FFC-351-N
10	3/8	39.4	15.0	19.5	17.2	7.9	22	19	31.8	FFC-352-N
10	1/2	44.2	19.8	19.5	17.2	7.9	27	19	36.6	FFC-353-N
12	1/4	40.3	15.0	22.0	22.8	9.5	22	22	30.2	FFC-354-N
12	3/8	41.9	15.0	22.0	22.8	9.5	22	22	31.8	FFC-355-N
12	1/2	46.7	19.8	22.0	22.8	9.5	27	22	36.6	FFC-356-N
15	1/2	46.7	19.8	22.0	24.4	11.9	27	25	36.6	FFC-357-N
16	1/2	46.9	19.8	22.0	24.4	12.7	27	25	36.8	FFC-358-N
20	1/2	47.9	19.8	22.0	26.0	15.9	30	32	37.8	FFC-359-N
20	3/4	49.7	20.6	22.0	26.0	15.9	35	32	39.6	FFC-360-N
22	3/4	49.7	20.6	22.0	26.0	18.3	35	32	39.6	FFC-361-N
22	1	57.9	25.4	22.0	26.0	18.3	41	32	47.8	FFC-362-N
25	3/4	53.4	20.6	26.5	31.3	21.8	35	38	41.1	FFC-363-N
25	1	62.3	25.4	26.5	31.3	21.8	41	38	50.0	FFC-364-N