

# SURDHI® SDV-1VA96/1VA48/1VA72

## Operating Instructions



CAT.No./ Model No.  
SDV-1VA96 for 96X96 Sq.mm



CAT.No./ Model No.  
SDV-1VA48 for 48X96 Sq.mm



CAT.No./ Model No.  
SDV-1VA72 for 72X72 Sq.mm

### SPECIFICATION

- Display**  
: 2 rows of 3 digits for (96\*96) & (72\*72) sq. mm. & 1 row of 6 digits for (48\*96) sq. mm.  
7-segment Red color display of 0.56" digit height.
- Wiring Input**  
: 1Ø-2 wire.
- Rated Input Current**  $I_{rms}$   
: Nominal 5A AC (Min.: 50mA - Max 6AAC)
- Rated Input Voltage**  $V_{rms}$   
: 10V-700V AC
- C.T. Ratio**  
: 5A - 4.995AAC i.e. 4.99 KA by 15A CT & 1A - 999AAC i.e. 0.99 KA by 1A CT  
(Programmable for any value, 999 is max. multiplier).
- Auxiliary Supply Range**  
: 230 VAC ( $\pm 20\%$ ), 50Hz [Separately mention at 110 VAC ( $\pm 20\%$ ), 60Hz] the time of Ordering
- Temperature Range**  
: 0 to 50 °C (Operating), -20 to 70 °C (Storage)
- Mounting**  
: Panel Mounting.
- Humidity**  
: Upto 85% RH (non-condensing).
- Accuracy**  
:  $\pm 1.0\%$
- Resolution** (Voltage)  
(Current)  
: 0.01A, 0.1A, 1A and 0.01KA  
(depends upon the range selected)

### WORKING

**Step 1** : Make the connection as per the Wiring Diagram.

Then **Switch - ON** the device.

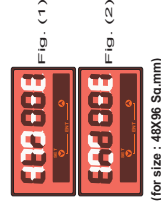
**Step 2** : It will start displaying Current with default settings (Ctr = 001).  
Default setting Ctr = 001 means 1 x 5 = 5 AAC. for -15A C.T and Ctr = 001 means 1 x 1 = 1AAC for -1A C.T

**Step 3** : For customized Settings of current (CTR) press SET Key



Then select Ctr between 1-999 with the help of

**UP and DOWN** keys as shown in Fig.(1). Once you reach the desired Ctr, press both **UP and Down keys** simultaneously to latch the value, for confirmation End will be displayed as shown in fig. (2).



### How to Select CTR, Example

a) For Current range upto 100A:

select Ctr = 100/5 = 20 for 15A C.T & 100/1 = 100 for 1A C.T.

b) For Current range upto 4000A or 4.00KA

select Ctr = 4000/5 = 800 for 15A C.T.

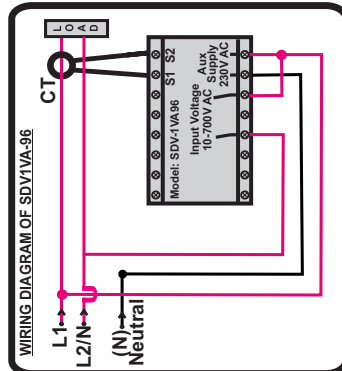
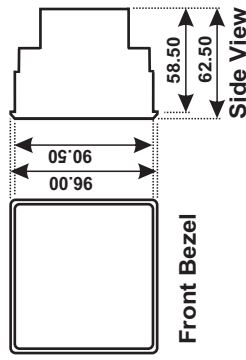
Further, for any queries contact :

Helpline No : 07011443680  
09873136248, 09458105707  
email : dpm.surdhi@gmail.com

### MECHANICAL INSTALLATION & WIRING DIAGRAM

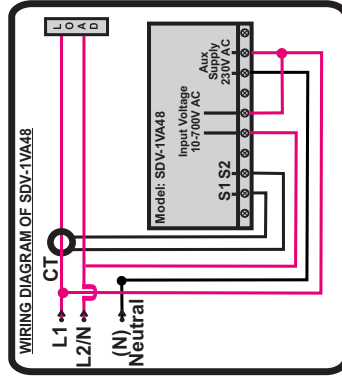
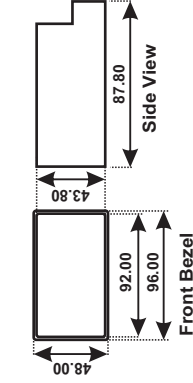
**Size : 96x96 Sq.mm**

Panel Cut out [ 92.00( $\pm 0.5$ )x92.00( $\pm 0.5$ ) ]



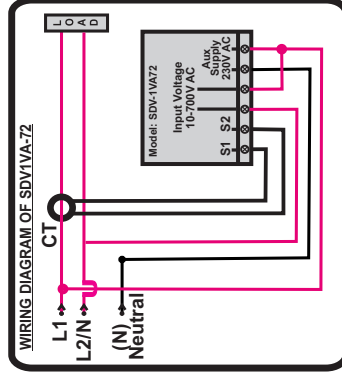
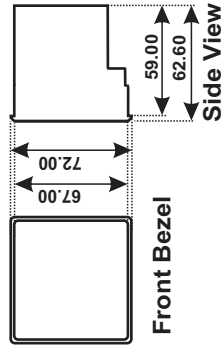
**Size : 48x96 Sq.mm**

Panel Cut out [ 92.50( $\pm 0.5$ )x44.50( $\pm 0.5$ ) ]



**Size : 72x72 Sq.mm**

Panel Cut out [ 68.00( $\pm 0.5$ )x68.00( $\pm 0.5$ ) ]



Note: All dimensions are in mm