

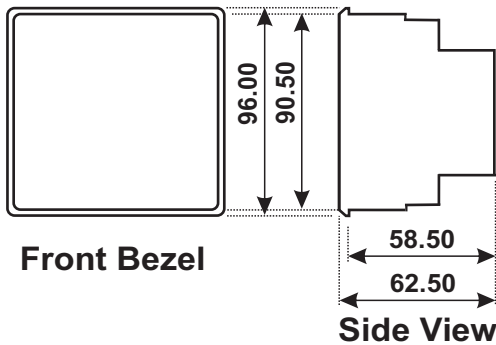


CAT.No./ Model No.
SDV-3A3D96

MECHANICAL INSTALLATION & WIRING DIAGRAM

Size : 96x96 Sq.mm

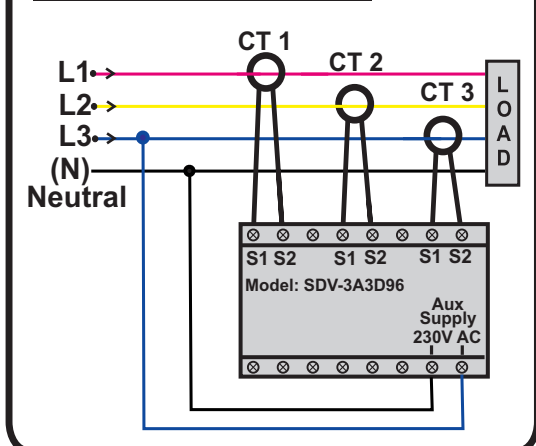
Panel Cut out [92.00(±0.5)x92.00(±0.5)]



Front Bezel

Side View

WIRING DIAGRAM OF SDV-3A3D96



Note: All dimensions are in mm

SPECIFICATION

| | |
|---------------------------------------|---|
| Display | : 3 row of 3 digits 7- segment Red color display of 0.56" digit height. |
| Wiring Input | : 3Ø-4 wire. |
| Rated Input Current (True rms) | : Nominal 5AAC (Min. : 50mA - Max 6AAC) |
| C.T. Ratio | : 5A - 4,995AAC i.e. 4.99 KA by \5 A CT & 1A - 999 AAC i.e.0.99 KA by \1 A CT (Programmable for any value, 999 is max. multiplier). |
| Auxillary Supply Range | : 230 VAC (±20%), 50Hz [Separately mention at 110 VAC (±20%), 60Hz. [the time of Ordering] |
| Temperature Range | : 0 to 50 °C (Operating), -20 to 70 °C (Storage) |
| Mounting | : Panel Mounting. |
| Humidity | : Upto 85%. RH (non-condensing). |
| Accuracy | : ± 1.0% |
| Resolution | : 0.01A , 0.1A, 1A and 0.01kA (depends upon the range selected) |

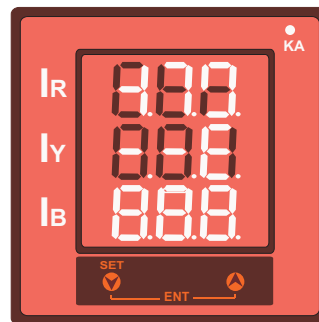
WORKING

- Step 1** : Make the connection as per the Wiring Diagram. Then **Switch - ON** the device.
- Step 2** : It will start displaying Current with **default settings (Ctr = 001)**.
Default setting Ctr = 001 means 1 x 5 = 5 AAC. for -/5A C.T and Ctr = 001 means 1 x 1 = 1AAC for -/1A C.T.
- Step 3** : For customized Settings of current (CTR) press **SET Key**

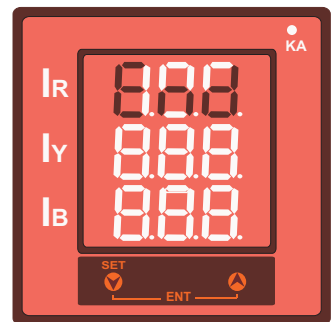


Then select Ctr between 1-999 with the help of

UP and DOWN keys as shown in Fig.(1). Once you reach the desired Ctr, press both **UP and Down keys** simultaneously to latch the value, for confirmation **End** will be displayed as shown in fig. (2).



Fig(1)



Fig(2)

Further, for any queries contact :

Helpline No : 07011443680
09873136248,09458105707
email : dpm.surdhi@gmail.com