

34

**HOLD DOWN  
TOGGLE CLAMP-  
VERTICAL HANDLE-  
FLANGED BASE**

These toggle clamps have a flanged base with holes for mounting on the fixture plate. Handle remains in vertical position in clamping.

**Standard Accessories provided with Clamp :** Standard Hex. Head Clamping Spindle assembly is provided as standard accessory with all above clamps, U-Arm models are provided with 2 nos. U-Flanged Washers also along with clamping spindle assembly.

The **SF Series** have a solid down bar which has a fixed guide bush at its end for the spindle assembly.

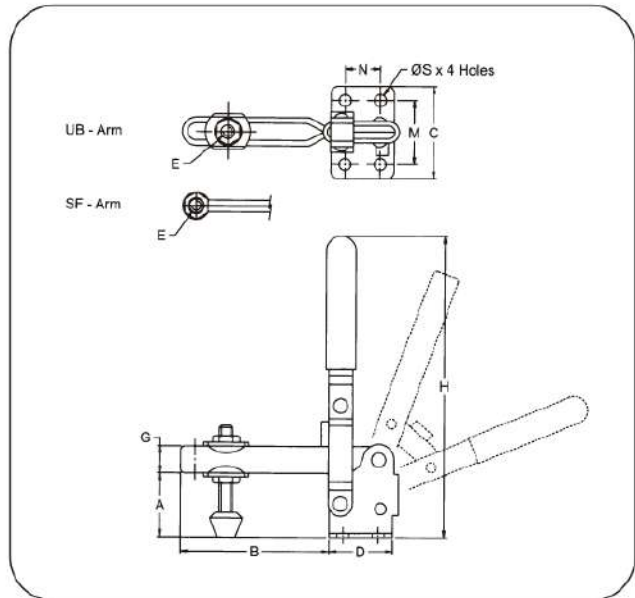
The **UB Series** have a 'U' bar arm which enables one or more spindles to be moved into any desired position along the arm.



Model : 4695 UB



Model : 4695 SF



ITEM CODE	MODELS	A	B	MOUNTING BASE		SPINDLE DIA E	G	H	MOUNTING DIMENSIONS			HOLDING CAPACITY	WT. IN NGS.
				C	D				M	N	ØS		
I2601	PV-1525 UB	15	25	32	26	M5	8	80	24	15	4.5	50 kg.	0.090
I2602	PV-1525 SF												
I2603	PV-2635 UB	26	35	40	26	M6	12	125	27	13	5.5	100 kg.	0.180
I2604	PV-2635 SF												
I2605	PV-3265 UB	32	65	43	35	M8	16	155	32	19	6.5	200 kg.	0.450
I2606	PV-3265 SF												
I2607	PV-4695 UB	46	95	62	45	M10	20	205	44	28	8.5	400 kg.	0.650
I2608	PV-4695 SF												
I2609	PV-52125 UB	52	125	70	55	M12	20	210	53	36.5	8.5	450 Kg	0.700
I2610	PV-52125 SF												
I2611	PV-86150 UB	86	150	95	75	M16	30	330	70	50	8.5	600 Kg	2.100
I2612	PV-86150 SF												