

Fiber optic gear type flow meter

- **Model:** M5.1AL-HT/M5.1SS-HT
- **Flow range:** 5~320 mL/min
- **Gear material:** SS316L/PPS Optional
- **Housing material:** AL/SS316L Optional

Product Characteristics

Power supply: DC24V (amplifier)
 Measuring range: 1:40
 Accuracy: 1~0.5 level
 Temperature: -40~250°C
 Pressure resistance: 32bar
 Signal: Optical fiber pulse output

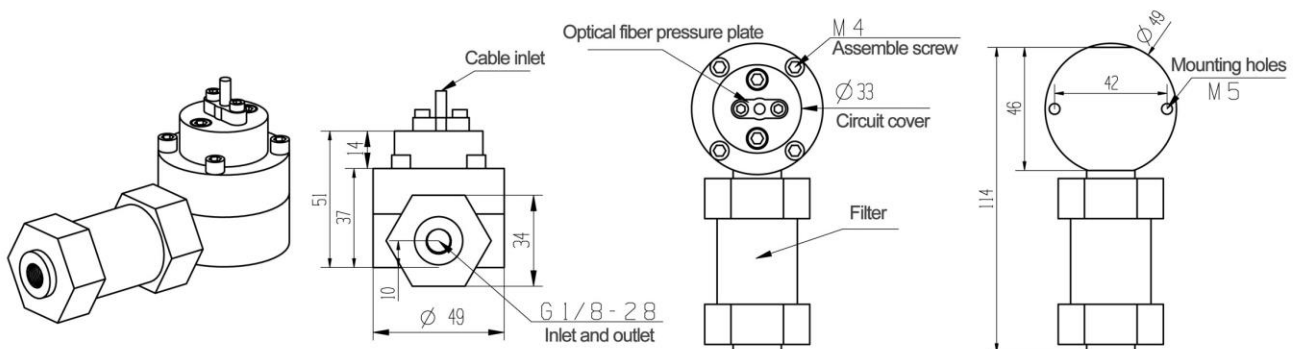


With DC8Sremote digital display, 4-20mA analog output,
 Modbus RTU 485 communication, cumulative alarm, instantaneous alarm, etc.

Product Applications

Fiber optic volumetric flowmeter, used for strong static electricity and explosion-proof places, high temperature testing, etc., suitable for water-based spraying, coal mining and other industries. Customizable: high temperature, high frequency, two-way measurement.

Installation size



Level & Flow Industrial Automation (OPC) Pvt. Ltd.

141, Vardhman Grand Plaza, Manglam Place,
 Sector-3, Rohini, New Delhi - 110085
 Email: levelnflowinfo@gmail.com, sales@levelandflow.in
 Website: www.levelnflow.com, www.levelandflow.in
 Mobile no.: +91-9990423266, +91-9990422266
 An ISO 9001-2015 Certified Company