



# MWLC(R)-50~600 (mm)

## Removable element woltman cold (hot) water meter

This type of water meter can be used for a remote reading transmission system is equipped with a built-in sensor.

### Application

Measuring the volume of cold (hot) water passing through the pipeline.

### Features

- Removable element structure, easy installation and maintenance, register for universal use within this range detachable without Removing the meter from the pipeline.
- Dry-dial, Magnetic drive sensitive action, small pressure loss.
- Vacuum sealed register ensures the dial keep free from fog and Keep the reading clear in a long term service.
- Selected high quality materials for steady & reliable characteristic.
- Technical data conform to international standard ISO 4064.

### Optional Features

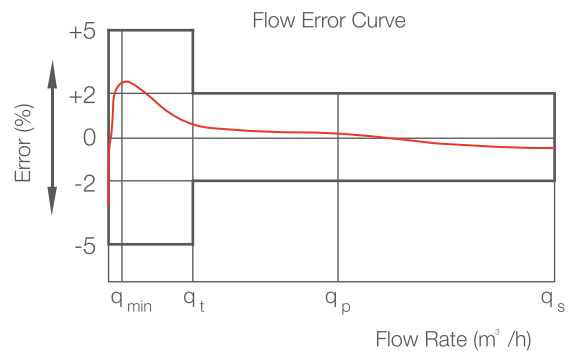
- Plastic register, copper register and full glass register.
- Accuracy: R=50.
- Size: DN50-600mm.
- Cold / Hot water.
- Reed switch option.
- Flange standard can be choose.
- 360 degree rotate can be choose.
- Cast iron, Ductile iron, SS304,SS316 body can be choose.
- Working pressure: PN16/25.
- Color can be change on body and cover.

### Working Condition

- Water temperature: 0.1 C ~ 50 C ( 0.1 C ~ 90 C for hot water meter).
- Water pressure: PN10/16/25.

### Maximum Permissible Error

- In the lower zone from  $q_{min}$  inclusive up to but excluding  $q_t$  is  $\pm 5\%$ .
- In the upper zone from  $q_t$  inclusive up to and including  $q_s$  is  $\pm 2\%$  ( $\pm 3\%$  for hot water meter).



Common Plastic Register



Copper Register

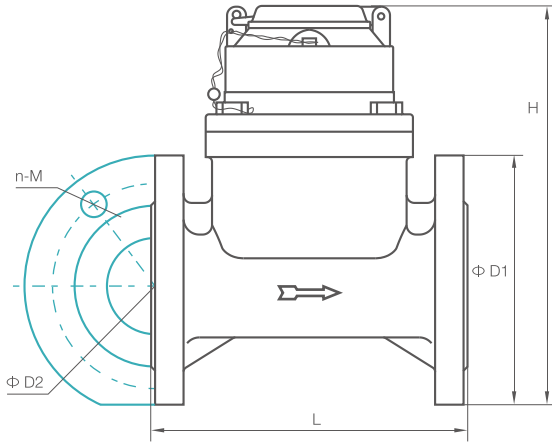


Full Glass Register





⊛ Dimensions



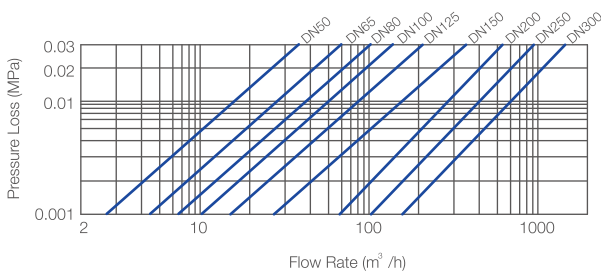
Type	Size	L H		Connecting Flange		
		Length	Height	Φ D1 Outside Diameter	Φ D2 Bolt Circle Diameter	Connecting Bolts (n-M)
		mm				
MWLC-50	50	200	214	165	125	4-M16
MWLC-50	65	200	224	185	145	4-M16
MWLC-50	80	225	279	200	160	8-M16
MWLC-50	100	250	289	220	180	8-M16
MWLC-50	125	250	299	250	210	8-M16
MWLC-50	150	300	319	285	240	8-M20
MWLC-50	200	350	346	340	295	8-M20(1.0DE )
						12-M20(1.6MPa)
MWLC-50	250	450	434	395(1.0MPa)	350(1.0MPa)	12-M20(1.0MPa)
				405(1.6MPa)	355(1.6MPa)	12-M24(1.6MPa)
MWLC-50	300	500	459	445(1.0MPa)	400(1.0MPa)	12-M20(1.0MPa)
				460(1.6MPa)	410(1.6MPa)	12-M24(1.6MPa)

**NOTE:** The flange dimension conforms to ISO7005-2:1988 standard. Flange standard can be customized. Order for products of special requirements is also accepted.

⊛ Pulse Position

Size	Pulse Position
DN50-65	10/100/1000L/Pulse
DN80-200	100/1000L/Pulse
DN250-300	1000L/Pulse

⊛ Pressure Loss Curve



⊛ Exploded View

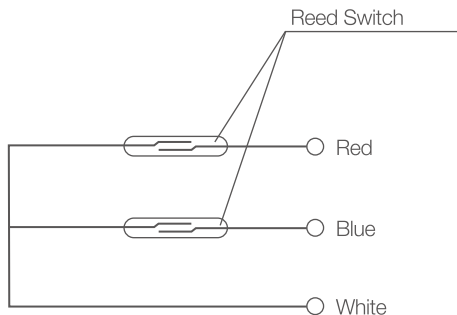




⊗ Flow Technique Specification

Nominal Flow DN	Maximum Flow Q <sub>2</sub> m <sup>3</sup> /h	Permanent Flow Q <sub>3</sub> m <sup>3</sup> /h	Q <sub>2</sub> /Q <sub>1</sub>	Q <sub>2</sub> /Q <sub>1</sub>	Transitional Flow Q <sub>2</sub> m <sup>3</sup> /h	Minimum Flow Q <sub>1</sub> m <sup>3</sup> /h	Minimum Reading		Maximum Reading	
							Full Glass Seal	Common Seal	Full Glass Seal	Common Seal
50	31.3	25	50	1.6 4	0.8 2	0.5	0.0005	0.0002	999,999	999,999
65	50	40	50	1.6 4	1.3 3.2	0.8	0.0005	0.0002	999,999	999,999
80	78.8	63	50	1.6 4	2 5	1.3	0.002	0.002	999,999	9,999,999
100	125	100	50	1.6 4	3.2 8	2	0.002	0.002	999,999	9,999,999
125	200	160	50	1.6 4	4 12.8	3.2	0.002	0.002	999,999	9,999,999
150	312.5	250	50	1.6 4	8 20	5	0.002	0.002	999,999	9,999,999
200	500	400	50	1.6 4	12.8 32	8	0.002	0.002	999,999	9,999,999
250	787.5	630	25	1.6 4	40.3 100.8	25.2	0.02	0.02	9,999,999	99,999,999
300	1250	1000	25	1.6 4	64 160	40	0.02	0.02	9,999,999	99,999,999

⊗ The Operation Description Of The Two Reed Switches System



Please see the diagram of the two reed switches system below, the two reed switches would be operated "ON" OR"OFF" respectively by the magnet fitted to the pointer or gear during its running on the register, but never "ON" at the same time ,unless the out- magnet attacks.

The two reed switches operate two "ON" and two "OFF" in one round of the pointer or the gear means one signal output, this principle prevent the loss or overcounting of the signal output due to the switches joggling or the pipe vibrating, so assures reliability of the signal output.

⊗ Warranty

All meters will be guaranteed against defects in workmanship and materials for a period of one (1) year from the date of acceptance. Defective meters or parts discovered within this period shall be replaced without charge upon return to the LFIA

**Level & Flow Industrial Automation (opc) Pvt. Ltd.**

141,Vardhman Grand Plaza, Manglam Place, Sec-3, Rohini, New Delhi-110085