



# Cable Float Level Switch



**LFS1**

**Level & Flow Industrial Automation (OPC) Pvt. Ltd.**

Email: [info@levelinflow.com](mailto:info@levelinflow.com)  
Website: [www.levelinflow.com](http://www.levelinflow.com)  
Contact No. : +91-8448557369

Bhavya Gold Plaza  
207, S/F, Gali no. 6-7, Beadonpura  
Karol Bagh, New Delhi - 110005

## DESCRIPTION

The float level switch is made from resistant polypropylene. It is durable, economical, maintenance free & easy to install. And specially designed for multiple point level detection in liquids. Its hermetic sealed, polypropylene body makes it suitable for sewage application. The switching ON or OFF differential is adjusted by a counterweight on the cable.

The switches will transmit an ON or OFF contact signal output when the float rises and turns upwards. The switch contains a metal ball that can slide as the float position changes.

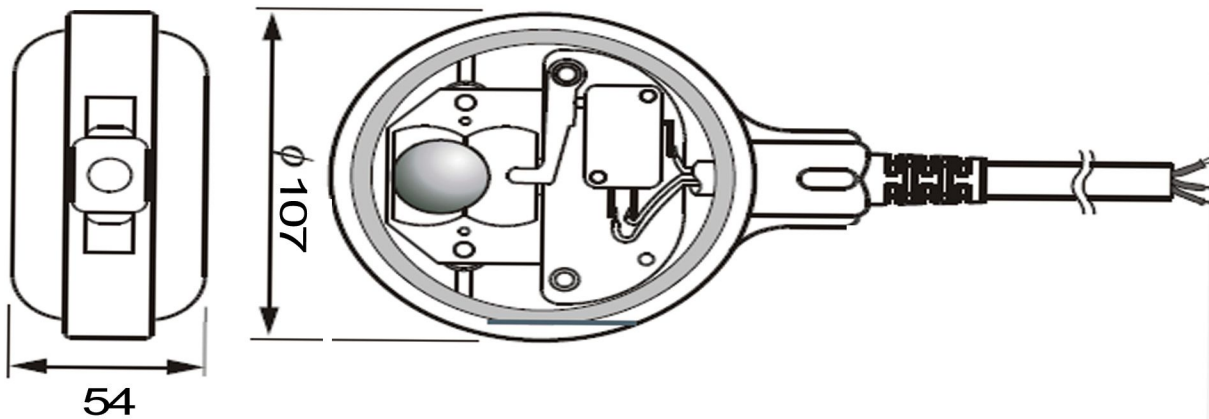
**Application:** Raw Water, Sewage, Open or Close Pits, ETP, STP, Waste Water, pump dry run protection



## TECHNICAL SPECIFICATION

Model	LFS1
Switch	Micro Switch
Float	Material P.P.
Cable Specification	Neoprene, 0.75 mm <sup>2</sup> X 3C
Contact Rating	15A, 230 VAC
Switch	NO or NC or SPDT
Operating Temp.	0°C – 50°C
Pressure	1kg/cm <sup>2</sup>
Actuation Angle	28 ± 2
Protection	IP 68
Cable Length	3m/5m/10m/15m length

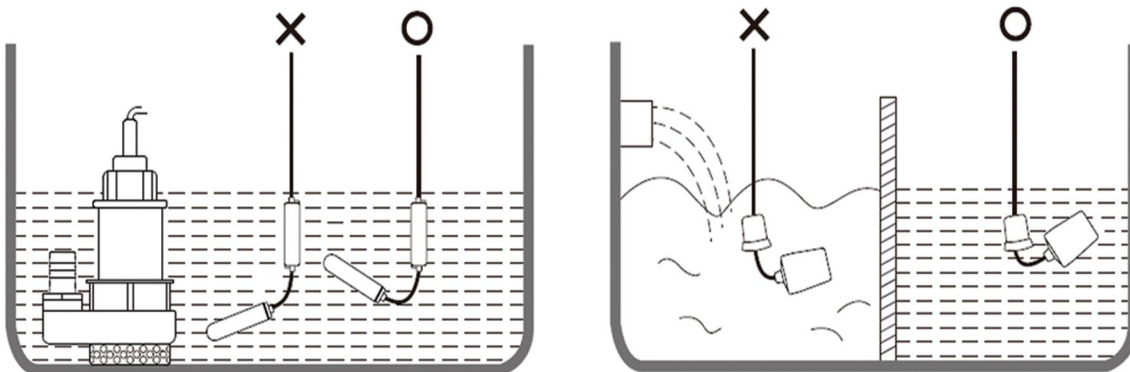
## DIMENSIONS



## PRECAUTIONS

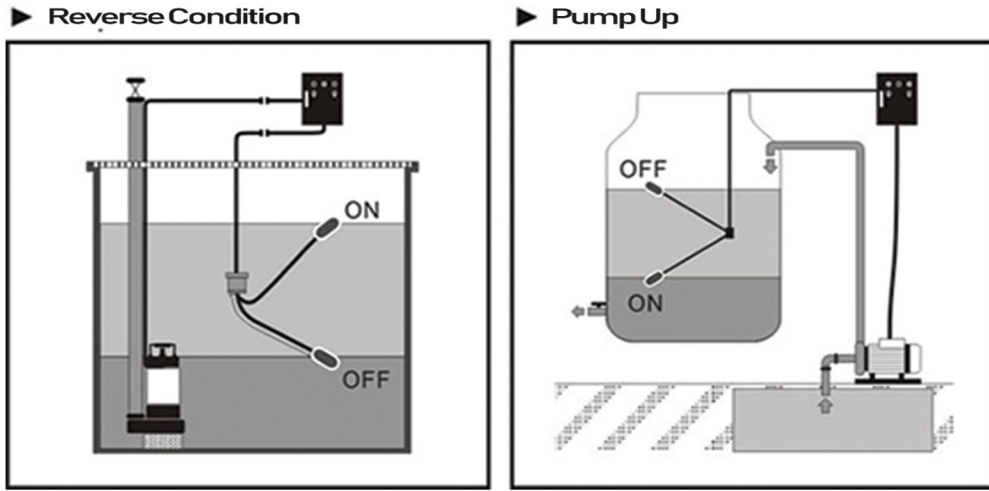
Keep a proper distance between the installation position and the water pump inlet to prevent the float switch from being sucked in towards the pump.

There should be a proper distance between the installation position and water inlet to prevent any direct water impact. If it can't be avoided, please install a pipe-shield or plate that lowers the turbulence.

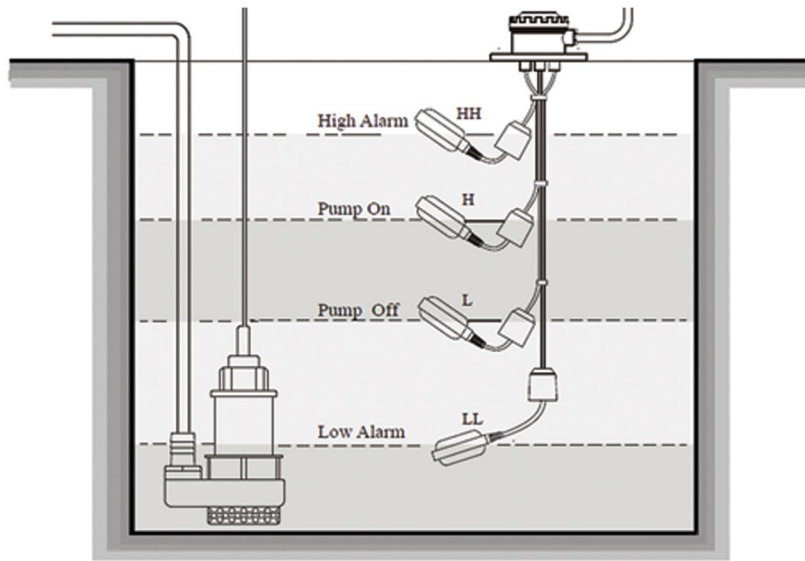


## INSTALLATION

### \* SINGLE FLOAT INSTALLATION



### \* FOUR POINT INSTALLATION WITH FLANGE & HOUSING



## MODEL SELECTION

LFS1

Code	Cable Lengths
05	5 mtr.
10	10 mtr.
15	15 mtr.

\* (All models may differ in looks & all specification may not be part of every version)  
\* (Specification may vary as per different model selected. Some feature may not be there in model selected.)