



Side Mounted Level Switch



LFS2

**Level & Flow Industrial
Automation (OPC) Pvt. Ltd.**

Email: info@levelinflow.com
Website: www.levelinflow.com
Contact No. : +91-8448557369

Bhavya Gold Plaza
207, S/F, Gali no. 6-7, Beadonpura
Karol Bagh, New Delhi - 110005

DESCRIPTION

Side mount level switches are designed for use in tanks and vessels for indicating or controlling the level of a liquid.

They work well as high or low level controls. Its operating principle is magnetic & wetted part construction in SS.

When the float magnet moves close to the switch stem, the float magnet repels the switch magnet which either opens or closes the Electrical circuit. The contact can be used to operate a pump or any device connected in series to it. These switches can either be supplied in weather proof cast aluminium switch housing

FEATURES

Rugged, Economical point level sensing.

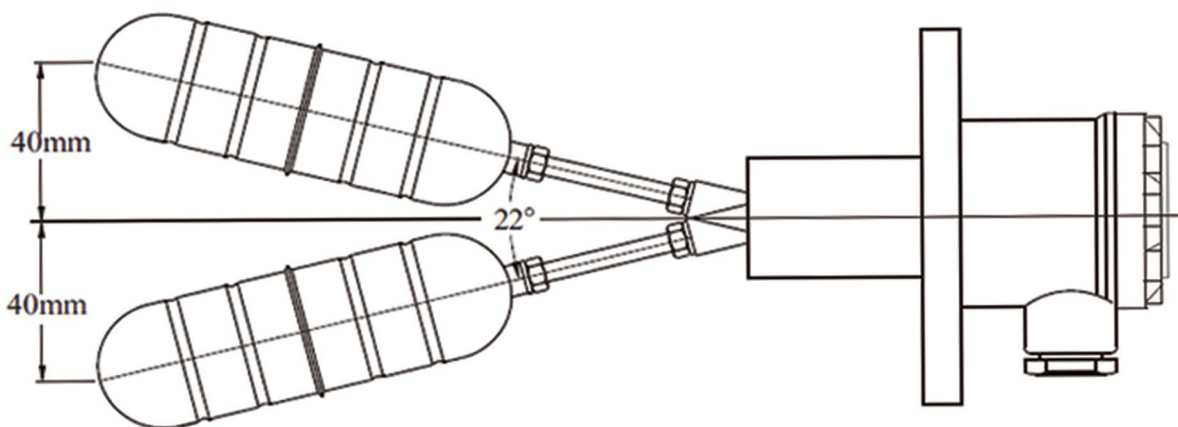
Low & high temp.

Easy installation & operation.

SS wetted part.



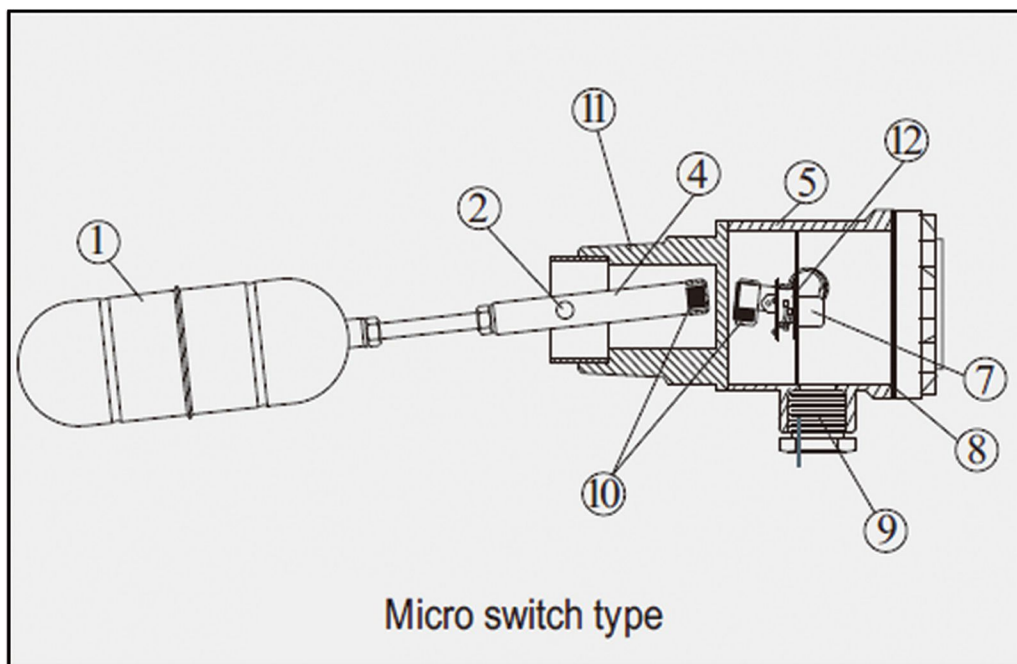
DIMENSION



TECHNICAL SPECIFICATION

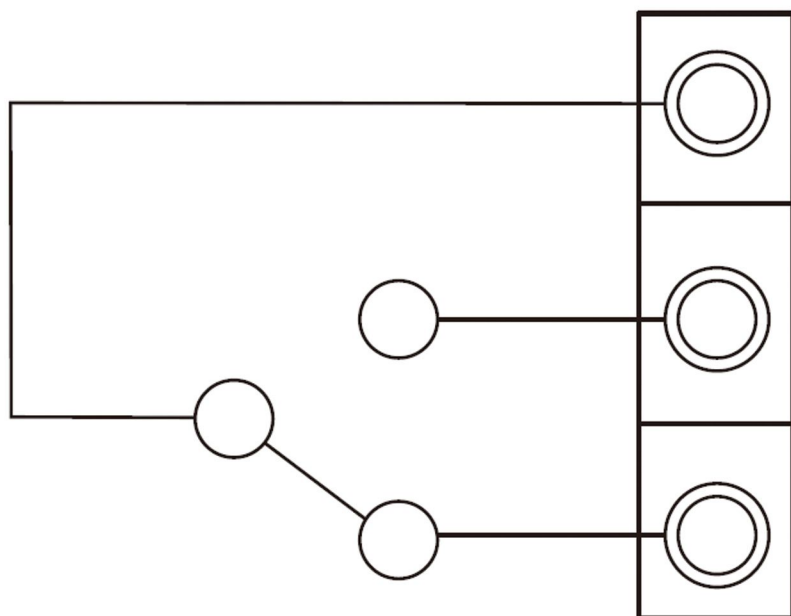
Model	LFS1
MOC	SS304, SS316
Housing	Aluminium
Contact type	SPDT Potential Free Contact-Microswitch
Contact rating	5A, 230V AC
Process Temp.	10 ⁰ -150 ⁰ deg. C (Optional-250 ⁰ deg. C)
Connection	SS Flange/ Threaded
Switching Differential	15±5 mm

CONFIGURATION

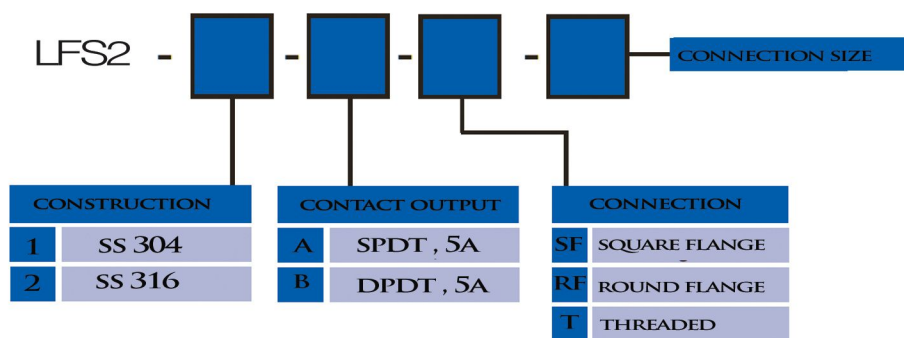


- | | | | |
|-----------|----------------|-------------|-----------------|
| 1. Float | 4. Pivot | 7. Terminal | 10. Magnet |
| 2. Shaft | 5. Housing | 8. O-ring | 11. Screw |
| 3. Flange | 6. Reed Switch | 9. Conduit | 12. Microswitch |
- Conduit/Connection

WIRING



MODEL SELECTION



* (All models may differ in looks & all specification may not be part of every version)
 * (Specification may vary as per different model selected. Some feature may not be there in model selected.)