



# Ultrasonic level transmitter



**LFT2-R**

**Level & Flow Industrial  
Automation (OPC) Pvt. Ltd.**

Email: [info@levelinflow.com](mailto:info@levelinflow.com)  
Website: [www.levelinflow.com](http://www.levelinflow.com)  
Contact No. : +91-8448557369

Bhavya Gold Plaza  
207, S/F, Gali no. 6-7, Beadonpura  
Karol Bagh, New Delhi - 110005

## DESCRIPTION

Ultrasonic level meter of two wires serial is a sealed transducer best suited for applications where harsh or hazardous environments are a problem. Been made of energy conservation components, It can work between DC 9–32v power supply. Only two wires are enough to supply power and acquire the measured value. LCD display is convenient for onsite setting.

Application: Diesel storage tanks, Water, Storage tanks, waste water) treatment, pits, ponds, sewage, acids, solvent, juice, beverages, etc.

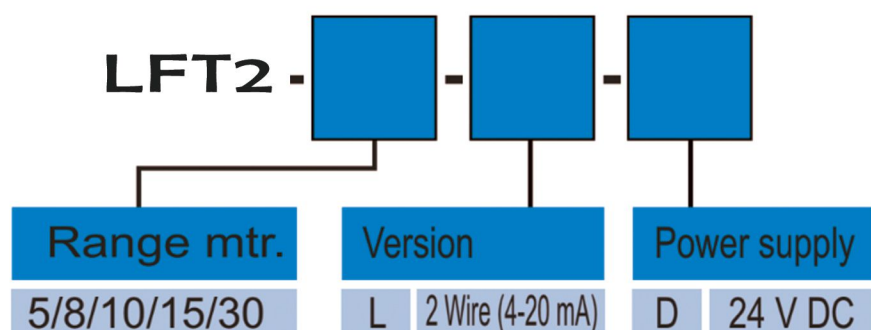
## FEATURE

Easy Calibration Programming

Strong waves

LCD display

## MODEL SELECTION



**TECHNICAL SPECIFICATION**

<b>Model</b>	<b>LFT2</b>
Type	Remote Display
Range	5/8/10/15/30 mtr
Temperature	0–60 deg.C
Operating Pressure	Atm.
Response Time	500 ms
Frequency	20 KHz
Display	Integral LCD Display
Programming	By Push Button
Housing	ABS
Connection	Threaded
Protection	IP65
Output	4–20mA, 2 wire
Supply	24VDC
Dead zone	300mm, 500mm
Optional	Exp. Proof