



# Magnetic Float Level Transmitter



**LFT3**

**Level & Flow Industrial Automation (OPC) Pvt. Ltd.**

Email: [info@levelinflow.com](mailto:info@levelinflow.com)  
Website: [www.levelinflow.com](http://www.levelinflow.com)  
Contact No. : +91-8448557369

Bhavya Gold Plaza  
207, S/F, Gali no. 6-7, Beadonpura  
Karol Bagh, New Delhi - 110005

## DESCRIPTION

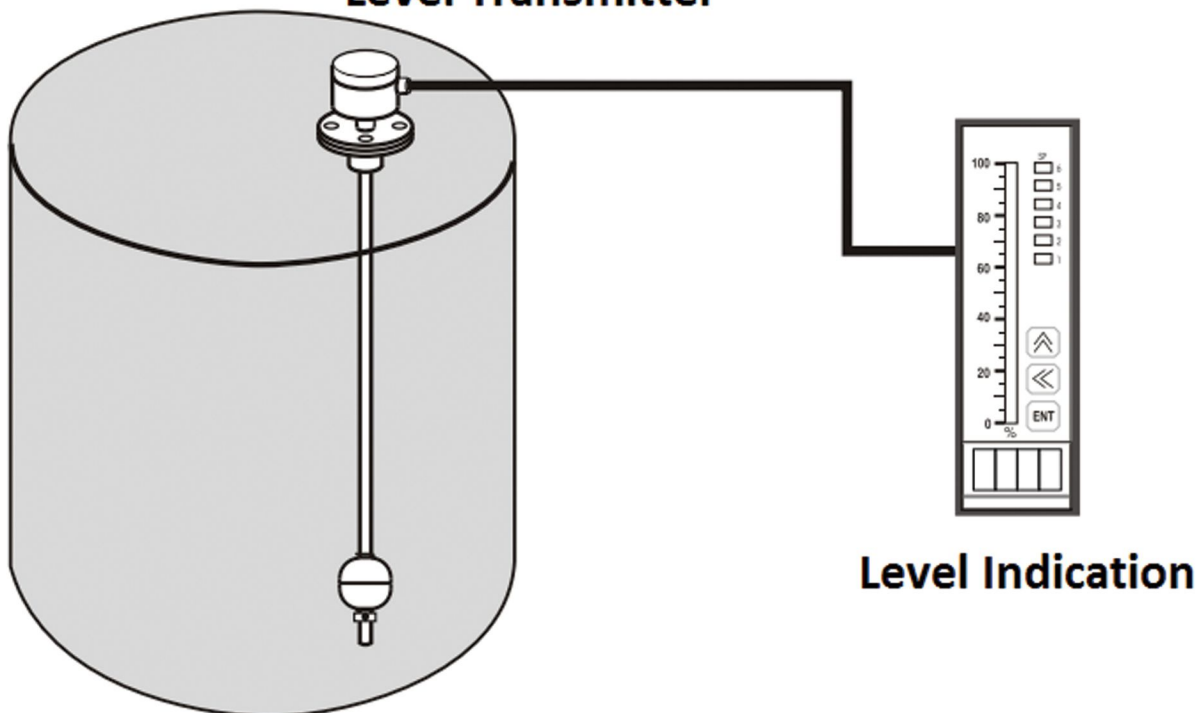
The magnetic Float Level Transmitter is composed of a float and sensing rod. As the float raised or lowered by the liquid level, the sensing rod will induce a resistance output, which is directly proportional to the liquid level.

Transmitter consists of array of magnetic sensors enclosed inside a sealed stem. Transmitter is made in various lengths in SSS or PP construction. The magnet float level transmitter provides a 3-wire resistance output or can be equipped with an appropriate level transmitter to provide a 4-20mA analog signal indicating liquid level.

The sensing guide rod includes a series of reed switches along the entire measuring length. Placement of reed switches provides either of two possible measuring resolution.



**Magnetic Float  
Level Transmitter**

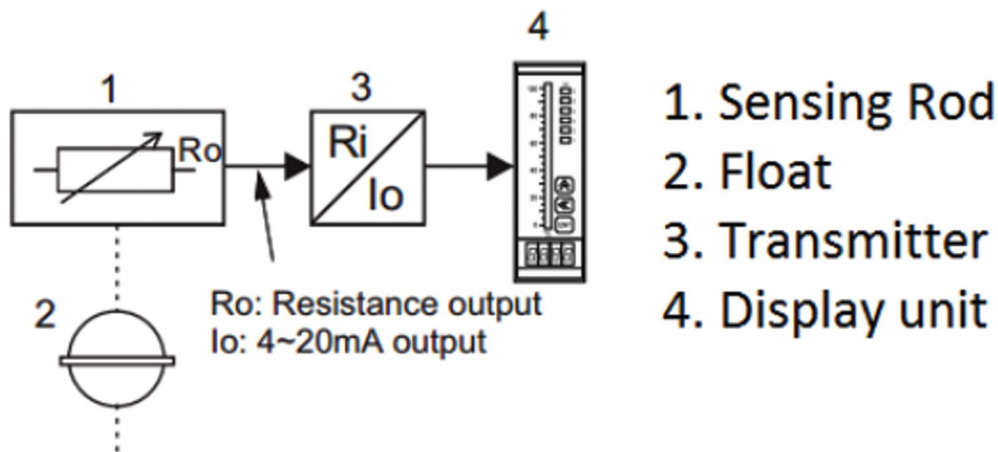


**Applications:** Diesel, generator facilities, petrochemical, Condensate, acids, chemical, beverages, milk, juices, oil, cooling tower, etc.

## FEATURE

Reliable, Maintenance free.  
 SS or PP construction  
 Easy to install & operate  
 Explosion Proof certificate available.

## SCHEMATIC DIAGRAM

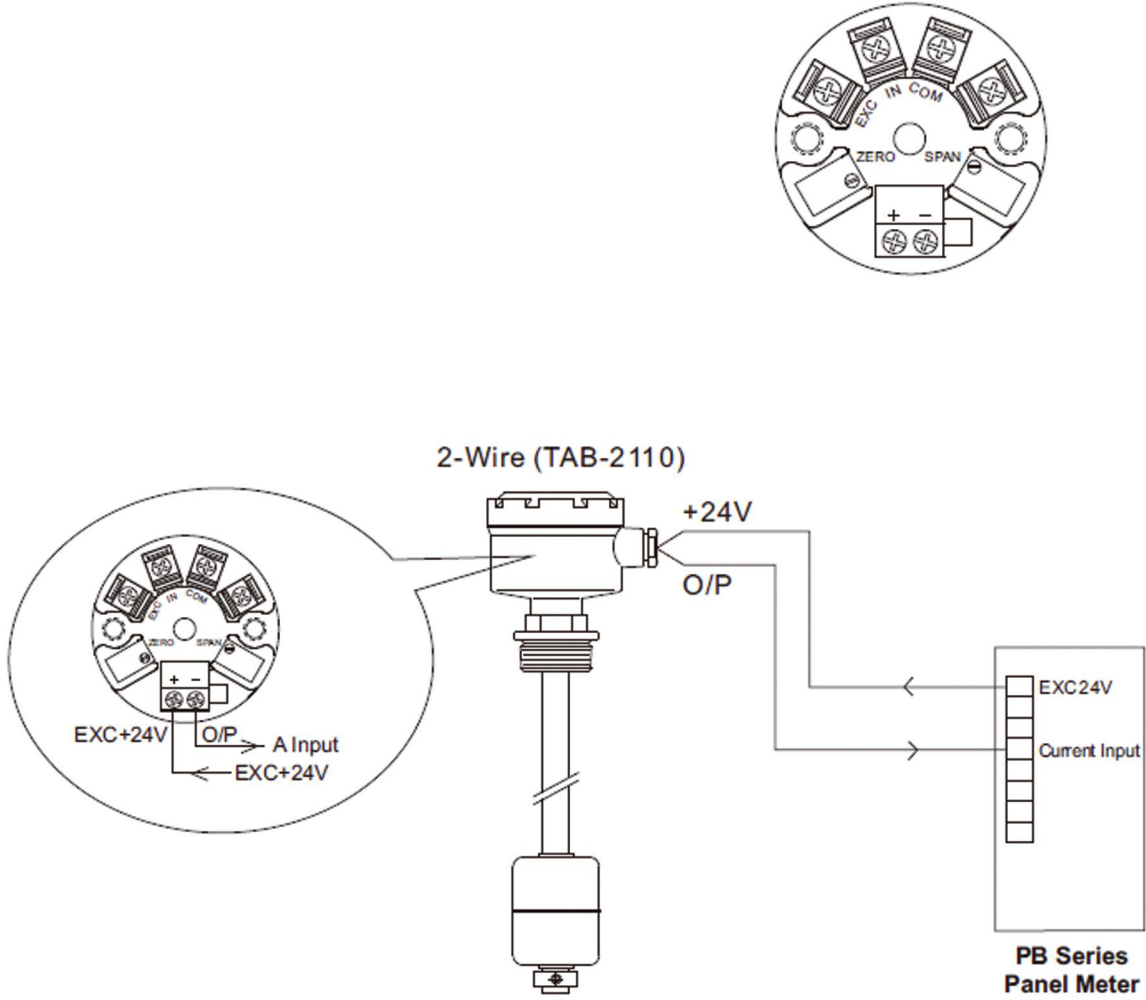


## TECHNICAL SPECIFICATION

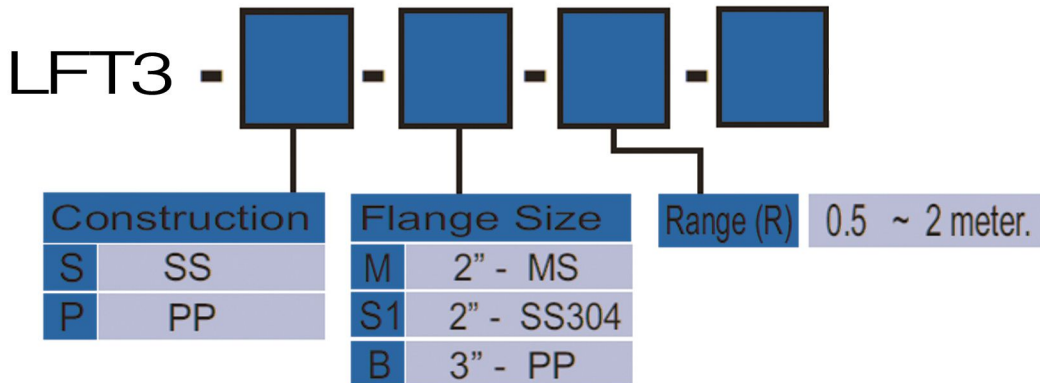
| Model                 | LFT3  |
|-----------------------|---|
| MOC                   | SS/PP   |
| Operating Temperature | 100 <sup>0</sup> deg. C (45 <sup>0</sup> deg. C for PP model) |
| Operating Pressure    | 10 kg/cm <sup>2</sup>   |
| Mounting              | Top   |
| Resolution            | 15 mm   |
| Housing               | Aluminium, Weather proof or Exp. proof                        |
| Connection            | Flange / Threaded   |
| Pipe Length           | Up to 3000mm  |
| Supply                | 24V DC loop   |
| Output                | 4-20 mA, 2 wire   |

# LFT3 Magnetic Float Level Transmitter

## TRANSMITTER DRAWING

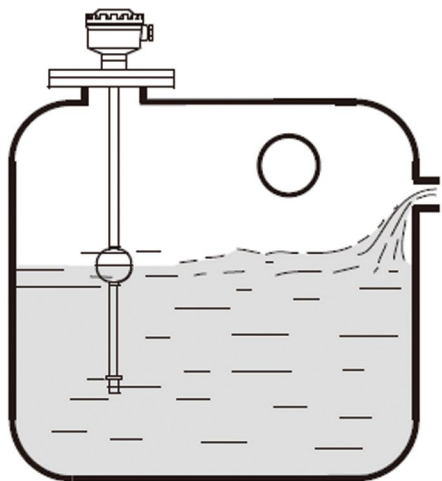


## MODEL SELECTION

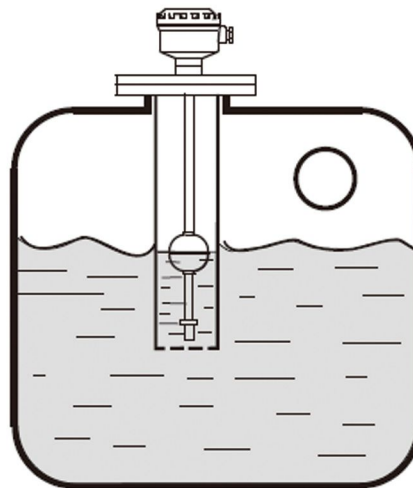


## INSTALLTION

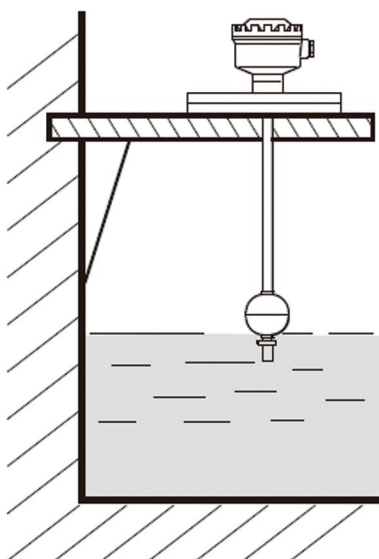
- ▶ The float level transmitter should be mounted far away from the inlet, Any rigorous liquid turbulence will produce error output signals.



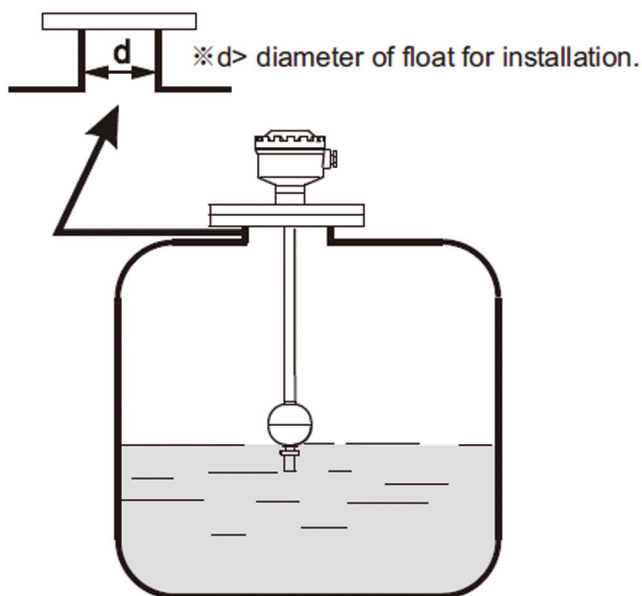
- ▶ A pipe shield or an equivalent device can help normalize the indicator actuation especially when an agitator is present.



- ▶ Another useful alternative is an L type support frame when the level indicator is mounted in concrete wall tank as figure below.



- ▶ It is recommended to select the standpipe with diameter (d) larger than the float for the installation process.



\* (All models may differ in looks & all specification may not be part of every version)  
 \* (Specification may vary as per different model selected. Some feature may not be there in model selected.)