



Submersible Level Transmitter



LFT1

**Level & Flow Industrial
Automation (OPC) Pvt. Ltd.**

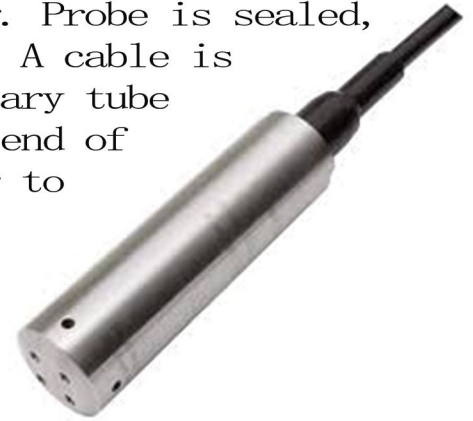
Email: info@levelinflow.com
Website: www.levelinflow.com
Contact No. : +91-8448557369

Bhavya Gold Plaza
207, S/F, Gali no. 6-7, Beadonpura
Karol Bagh, New Delhi - 110005

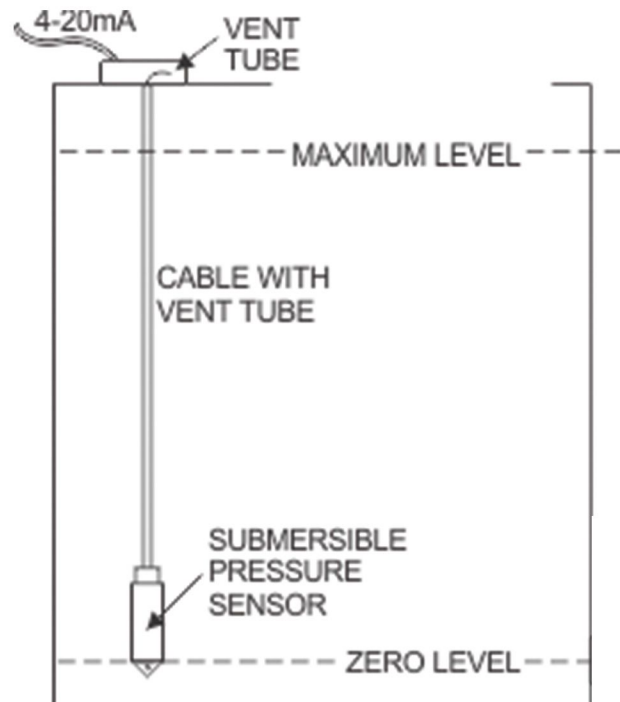
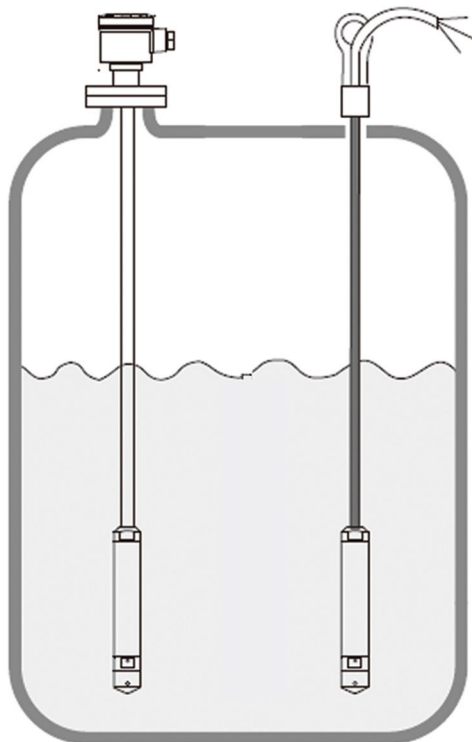
DESCRIPTION

Submersible level transmitter probe are compact device for continuous level measurement of non-aggressive liquids (without solid impurities) in non-pressurised tanks, vessels, reservoirs, sumps & tanks.

Probe consists highly stable piezo resistive sensor and precise evaluation electronics in stainless steel housing. Probe is sealed, thus protect its pressure from mechanical damage. A cable is integral of probe, consists of 2 wires & a capillary tube comes in various range as per requirement. Other end of capillary tube is kept open to atmosphere for air to flow freely (for atm. pressure compensation).



Transmitter is simply hanged inside tank through its cable. The sensor transducer is enclosed in a liquid tight SS316 housing and assembled to a liquid proof cable. Due to liquid static pressure inside tank, transducer signal is converted into 4-20 mA (2 wire) output is correspond to liquid level accurately. The change in level is detected by comparing the pressure difference between pressure of water column over the probe & atmospheric through capillary tube. This generates a output signal which is converted into 4-20mA (2-wire) signal.



FEATURE

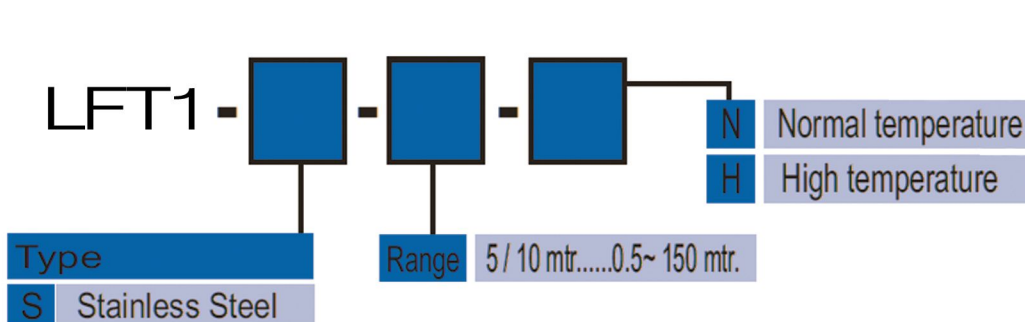
- Long measuring range, customised length.
- Extension Cable, Flanged model
- IP 68 sealed probe of SS
- Easy to install, operate, no moving part, high accurate.
- Special polyurethane cable ensuring more flexible & durable.
- Reliable, Economical



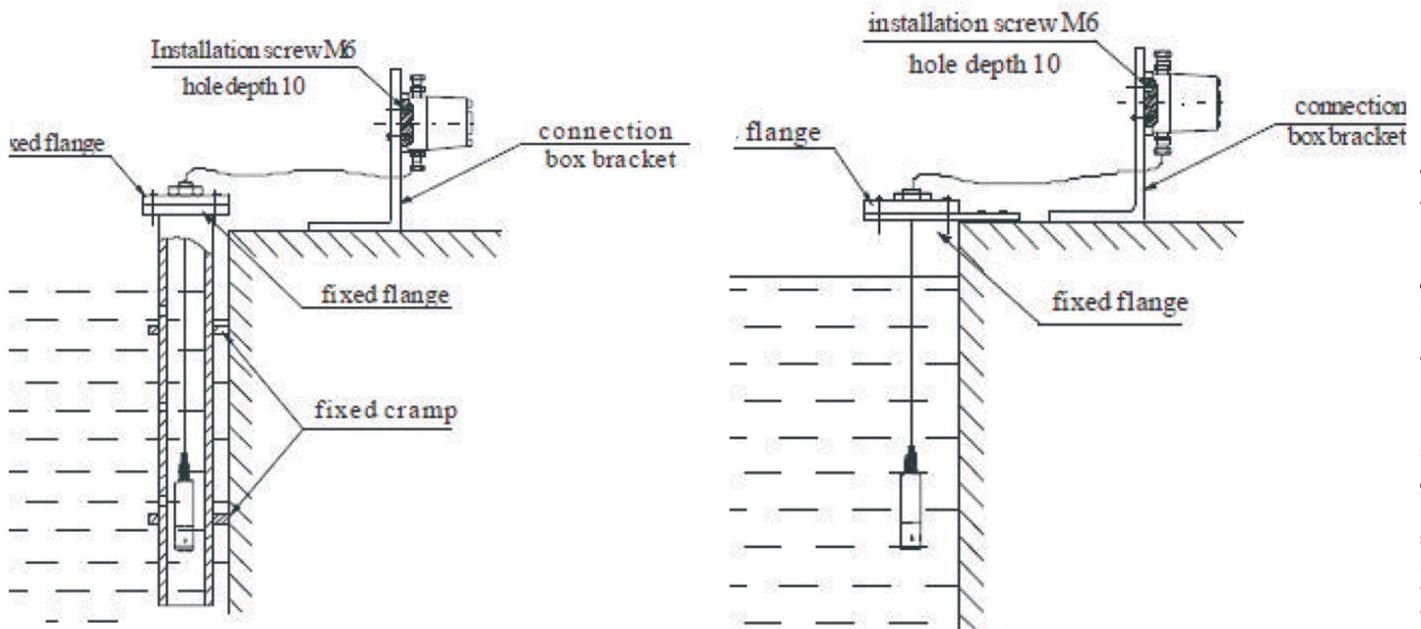
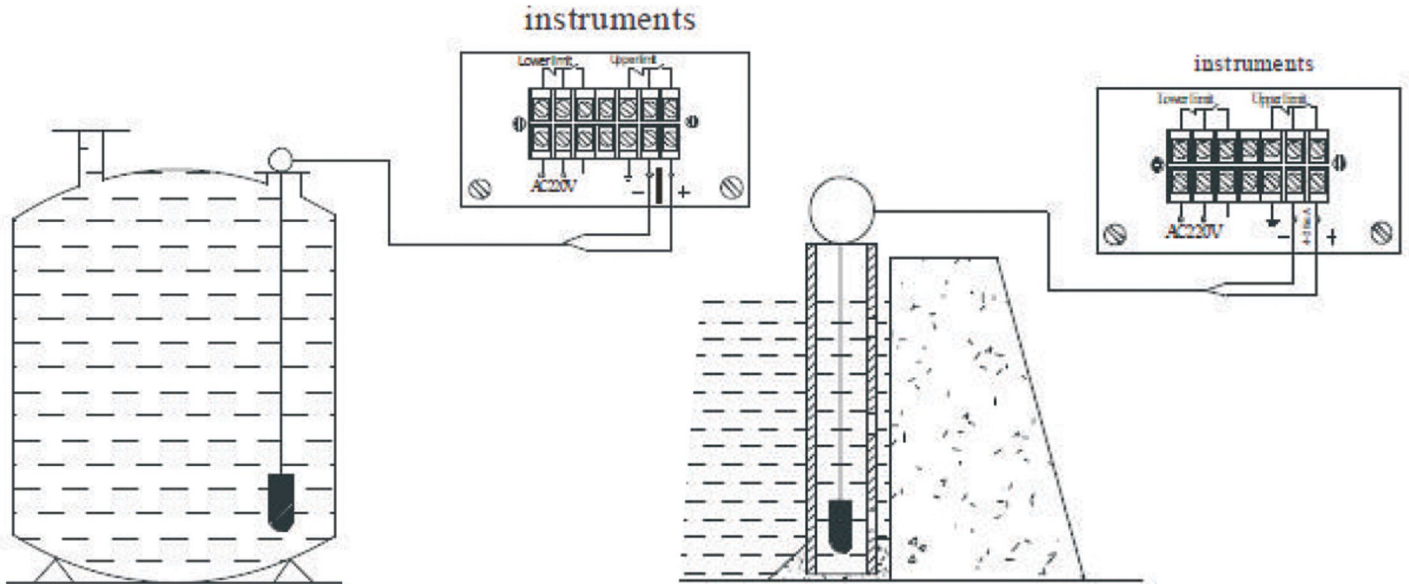
TECHNICAL SPECIFICATION

Model	LFT1
Sensor Material	SS 316L
Measuring Range	5/10 mtrs – 100 mtrs
Cable	Polyethylene
Process Temperature	Amb.
Compensation	Full Scale
Protection	IP68
Supply	24V DC , loop
Output	4-20 mA , 2 wire

MODEL SELECTION



INSTALLATION DIAGRAMS



* (All models may differ in looks & all specification may not be part of every version)
* (Specification may vary as per different model selected. Some feature may not be there in model selected.)