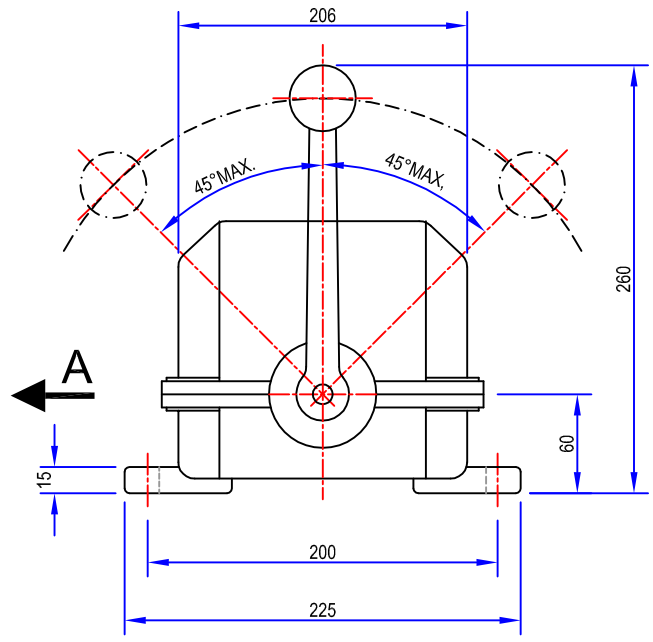
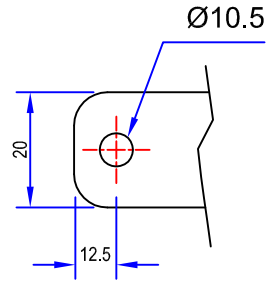
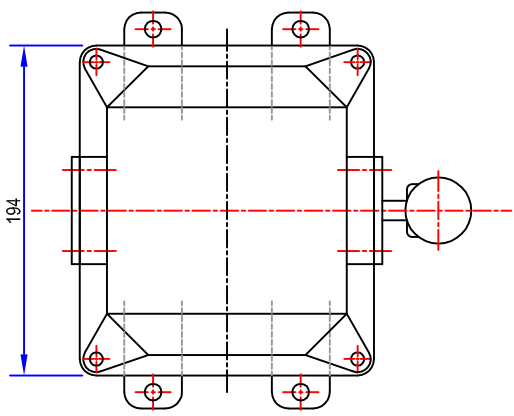


B ↑



VIEW AT - A



VIEW AT - B

TECHNICAL CHARACTERISTICS

- 1) CURRENT RATING : 40 AMPS. AT 415 V.A.C.
- 2) NO. OF. CONTACTS : 6 (MAX.)
- 3) NO. OF NOTCHES : 4
- 4) NOTCHING ANGLE : 12° OR 18°
- 5) ENCLOSURE : IP 54 CONFORMING TO IS - 13947(Part-1)1993

Suni® Cranes Controls AN ISO 9001:2015 CERTIFIED COMPANY		सनी क्रेन्स कन्ट्रोलस एन आय.एस.ओ.९००१:२०१५ सर्टीफाईड कम्पनी		
Shubh Indl. Estate Vasai(E) PALGHAR-401208				
ALL DIMENSIONS ARE IN MM.		TOL — OVERALL DIM ±5MM. BOLTING CENTER ±3MM.		
TITLE. MASTER CONTROLLER				
DRN.	PRAKASH	27/03/16	SCALE	N.T.S.
CHD.	G.G.YADAV	27/03/16	MATL.	M.S./C.I.
APPD.	G.G.YADAV	27/03/16	TYPE NO. AS PER SPECIFICATIONS	
DRG. NO.	Suni/ GA / Master Controller/08			REV — 0

DRG.NO.