

## API 6A Adjustable Choke Valves

### Features:

- Long life and low maintenance.
- Body to bonnet contact behind the O-ring seal eliminates bonnet seal extrusion.
- A locking device is set on stem.
- Ideal for many flow regulating services and easily convertible to a positive choke.
- The stem of adjustable choke are made of high strength alloy steel. The materials have the feature of abrasion resistance, erosion resistance and reliable serviceability.
- The valve and seat can be removed by hand, without special tools and without removal of the valve body from the line, by simply removing the bonnet.

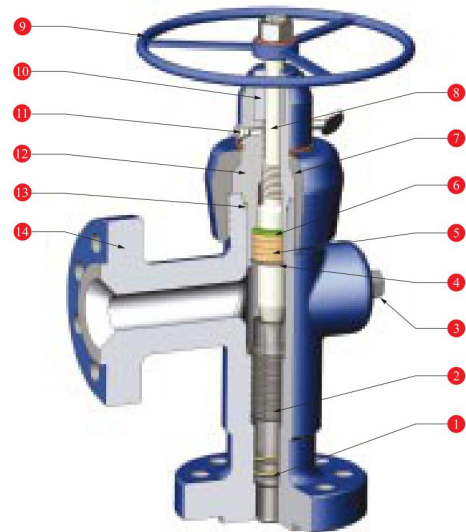
### Specifications:

	API-6A	ANSI
• Basic Design and Test	2000, 3000, 5000, 10000, 15000, 20000 (Psi)	400, 600, 900, 1500, 2500 (LB)
• Working Pressure	N60, N62, 1-13/16, 2-1/16, 2-9/16, 3-1/16, 3-1/8, 4-1/16	2, 2-1/2, 3, 4, 6, 8
• Main Nominal Size(in)	PSL1, PSL2, PSL3, PSL4	PSL1, PSL2, PSL3, PSL4
• Product Specification Level	PR1, PR2	PR1, PR2
• Performance Requirement Level	AA, BB, CC, DD, EE, FF	AA, BB, CC, DD, EE, FF
• Material Class	Flanged, Thread, Flanged and Thread	Flanged, Weld
• End Connection		

### Parts List

No	Name	Material
1	O-RING	VITON-B
2	SEAT	AISI 4135
3	DRAIN FITTING	AISI 4140
4	MALE ADAPTER	ASTM A182 F6a
5	V-PACKING	VITON
6	FEMALE ADAPTER	ASTM A182 F6a
7	WING NUT	AISI 4130
8	STEM	AISI 4135
9	HANDWHEEL	ASTM 47
10	INDICATOR	CARBON STEEL
11	LUBRICATOR	CARBON STEEL
12	BONNET	AISI 4130
13	O-RING	VITON-B
14	BODY	AISI 4130

Other trim and body material are available upon request.



## API 6A Positive Choke Valves

### Features:

- Body to bonnet contact behind the O-ring seal eliminates bonnet seal extrusion.
- The bean of positive choke are made of ceramic or hard alloy steel. Both have the feature of abrasion resistance, erosion resistance and reliable serviceability.
- Flow bean chamfers are available from 2/64" to 64/64", in 1/64" increments for precise regulation of flow rate.
- The choke bean may be dismantled quickly for change of beans.

### Specifications :

- |                                 |   |
|---------------------------------|---|
| • Basic Design and Test         | <b>API-6A</b>   |
| • Working Pressure (Psi)        | <b>2000, 3000, 5000, 10000, 15000, 20000</b>          |
| • Main Nominal Size (in)        | <b>1-13/16, 2-1/16, 2-9/16, 3-1/16, 3-1/8, 4-1/16</b> |
| • Product Specification Level   | <b>PSL1, PSL2, PSL3, PSL4</b>                         |
| • Performance Requirement Level | <b>PR1, PR2</b>                                       |
| • Material Class                | <b>AA, BB, CC, DD, EE, FF</b>                         |
| • End Connection                | <b>Flanged, Thread, Flanged and Thread</b>            |

### Parts List

No	Name	Material
1	O-RING	VITON-B
2	SEAT	AISI 4135
3	BODY	AISI 4135
4	DRAIN FITTING	AISI 4140
5	WING NUT	AISI 4130
6	O-RING	VITON-B
7	BONNET	AISI 4135
8	GLAND RING	ALLOY STEEL

Other trim and body material are available upon request.

