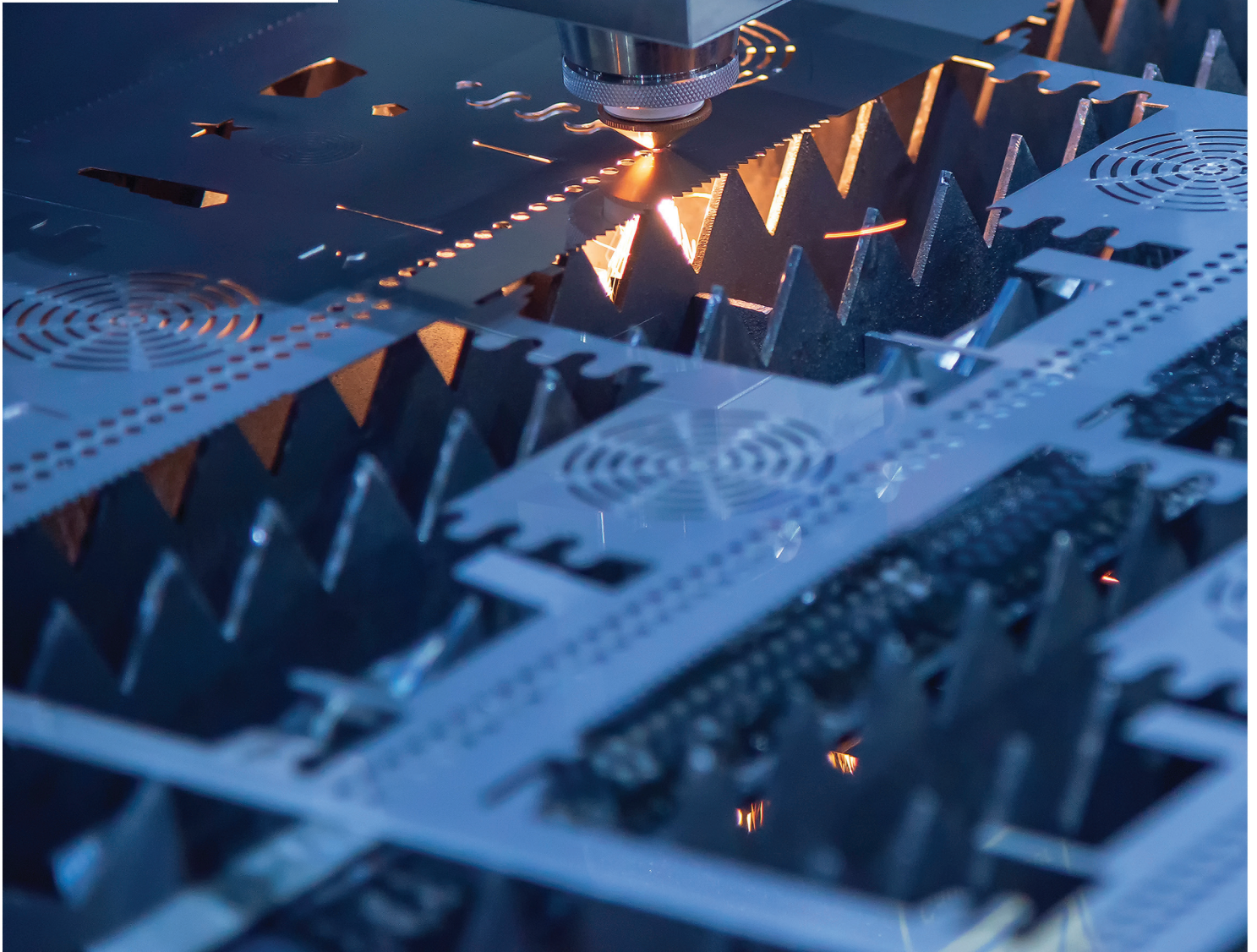


Cutting with FLEXI Series

LASER METAL CUTTING.



India's First Registered **Laser** Machine Manufacturer

SIL[®] 
expertise. innovation. excellence.

FLEXI Series

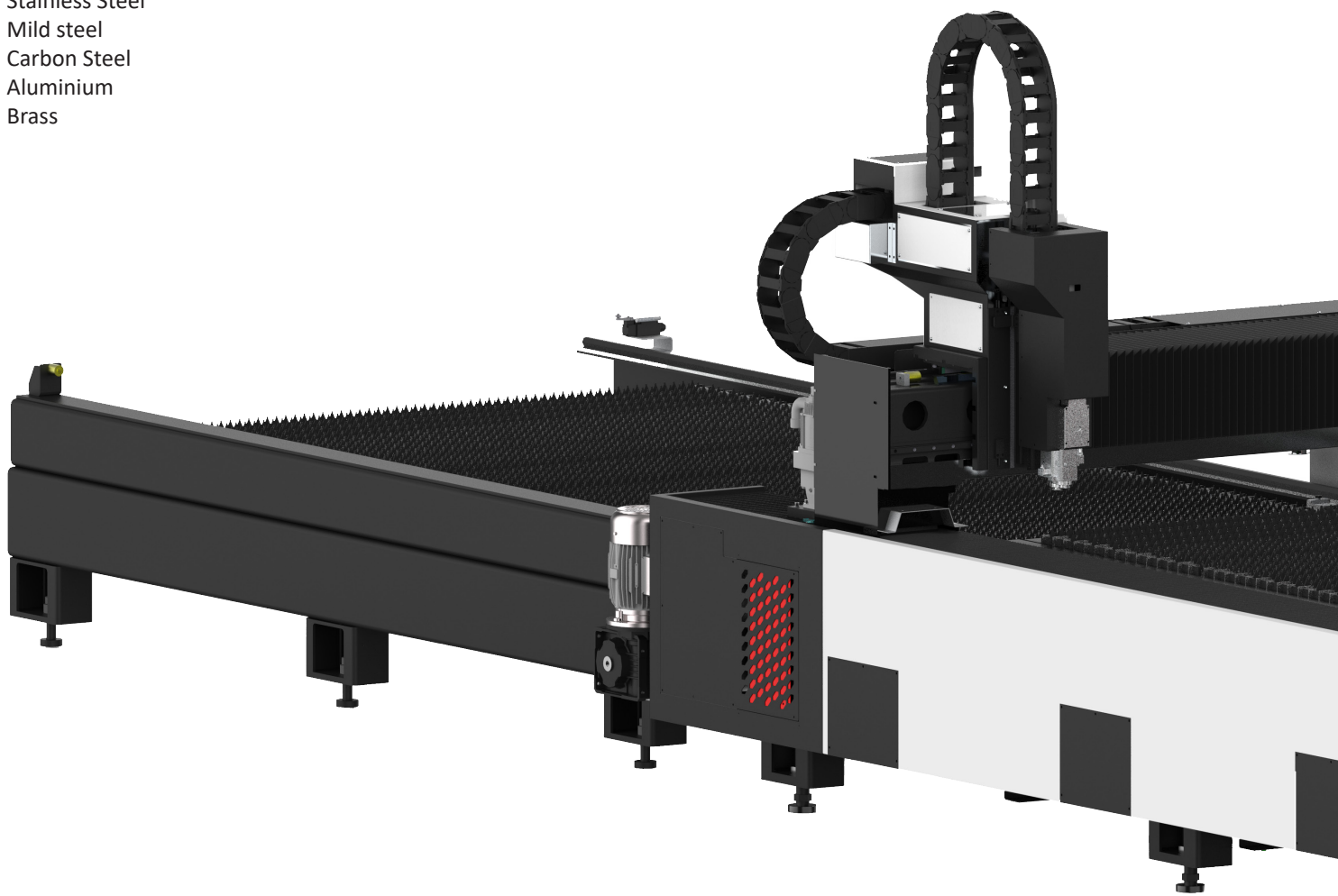
Metal processing is the fastest growing industry globally, Our **Flexi Series** are more efficient and gives business opportunities in various industries such as Railways, Automobile, Energy, Defense and aerospace, home appliance, Gym Equipment, kitchenware etc.

With our machines you can cut Mild Steel, Stainless Steel, Coated Stainless Steel, and High-Strength steel, Aluminium, Brass, Nickel and other ferrous & non-ferrous alloys easily.

This machine perfectly suits to produce million parts of metal processing industry from low to high volume requirements of the customers. This machine is the blend of economy and performance.

Materials to Cut:

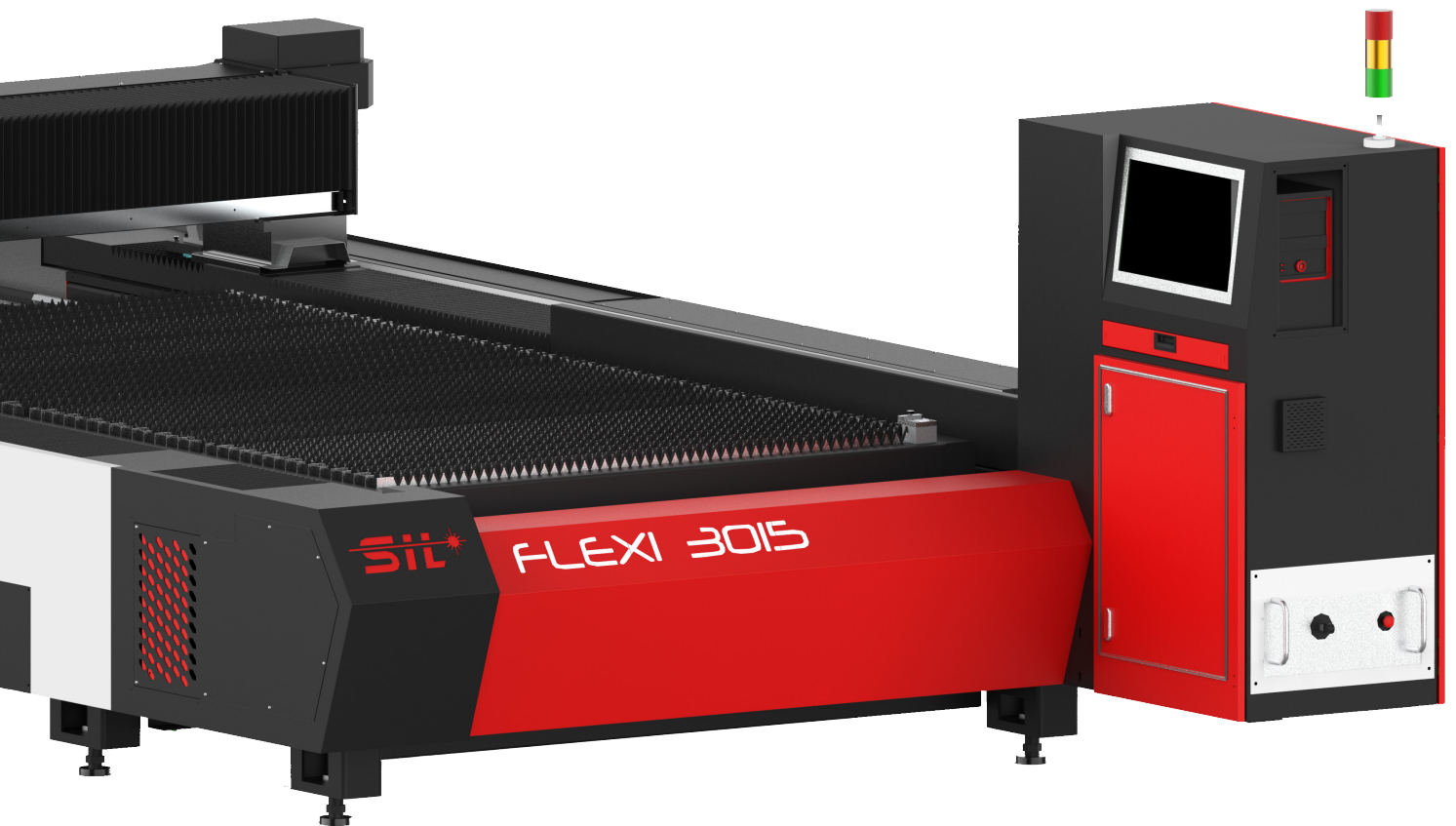
Stainless Steel
Mild steel
Carbon Steel
Aluminium
Brass



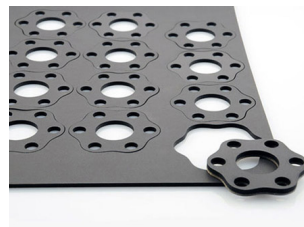
Features:

- Durable Rack-and-Pinion motion system
- Light weight Gantry for high dynamics with synchronized dual servo motors
- Auto Focus Cutting Head
- Machine dynamics 200 holes / min
- Fireproof bellow for safety
- Dust proof gas line for gas flow
- Back panel with Climate Control AC for electronics
- Isolated HV protected control panel specially build to work in unfavorable electrical conditions
- Top drag chain concept making machine compact and more safe

Item	Specifications
Laser Source	IPG / Raycus
Motor X	3050 mm SIL Brand
Motor X'	3050 mm SIL Brand
Motor Y	1520 mm SIL Brand
Z Axis	150 mm
Z Axis with Dual Pallet	220 mm
Cutting Head	Raytools Manual / Auto-Focus
CNC Controller	Cypcut
Rack & Pinion	SIL Brand
Electronic Pressure Regulator	30 Bar SMC
Gas Line & Filter	SMC
Gearbox	SIL Brand
LM Rails X, Y	SIL Brand
Chiller	Tongfie
Acceleration	0.8 G
Position Accuracy	$\leq \pm 0.05$ mm / m
Repositioning Accuracy	$\leq \pm 0.03$ mm
Maximum Rapid Speed	80 meters / min
Cutting Speed	20 meters / min
Dual Pallet	(Optional)



Samples:



OUR GLOBAL REACH



OUR PRODUCT RANGE:

Laser Metal Cutting Machine, Robotic Laser Metal Cutting & Welding Machine, Laser Metal Tube Cutting Machine, Laser Precision Cutting Machine, Laser Welding Machine, Laser Cleaning Machine, Laser Cladding Machine, Laser Marking Machine, Laser Engraving Machine, CNC Router Machine.

CORPORATE OFFICE

Plot No. 117 & 118, Lane - 7, Ramtekdi Industrial Area,
Hadapsar, Pune – 411013. Maharashtra. India.
Tel.: 020-26879001 / 2 / 3 | sales@silasers.com



silasers.com