

Capstan SENSUS



MANUFACTURED BY : **CAPSTAN METERS (INDIA) LTD.**
AN ISO 9001 : 2008 COMPANY
IN COLLABORATION WITH
SENSUS METERING SYSTEMS, GERMANY

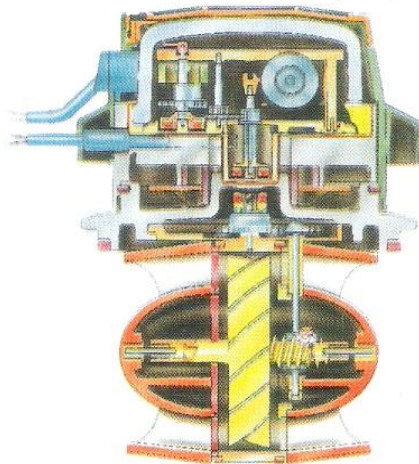
EEC Pattern Approval	
D95	DN 50 DN 150 DN 65 DN 200 DN 50 DN 250 DN 100 DN 300
6.132.36	Class B

EEC Pattern Approval	
D 80	DN 400 DN 500
6.132.01	Class B



Reed RD

Opto OD



Application

- Measurement of high, relatively constant flow volume of water upto 45° C

Special Features

- Meters have EEC Marking
- Hermetically Sealed register (IP 68)
- Hydrodynamically balanced rotor (<DN 300)
- Symmetrical calibration adjustment (<DN 300)
- Register may be rotated through 360°
- High overload capability
- Removable measuring element
- Powder coating affords max. corrosion protection
- Not affected by external magnetic fields
- Up to 3 pulsers (1 x OD, 2 x RD) may be fitted without breaking the approval seal
- 1/4" connection port for pressure sensors
- Data Logger compatible Meter can also be supplied

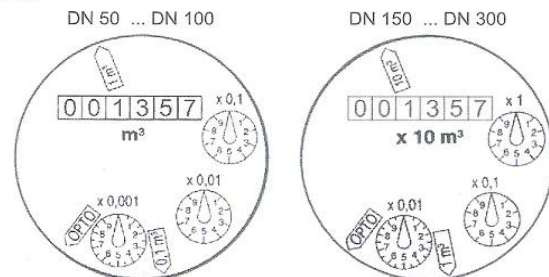
Installation

Pipe	Horizontal Vertical Inclined	
Meter Head	Upwards Sideways	

Installation Requirements

- Unrestricted straight pipe before and after the meter upto 300 mm : 3 x DIA ; from 400 mm : 5 x DIA
- No abrupt restriction immediately behind the meter. Installation of a strainer before the meter is recommended.

Dials



TECHNICAL DATA

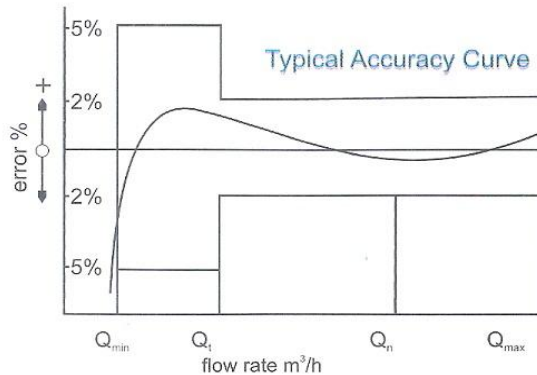
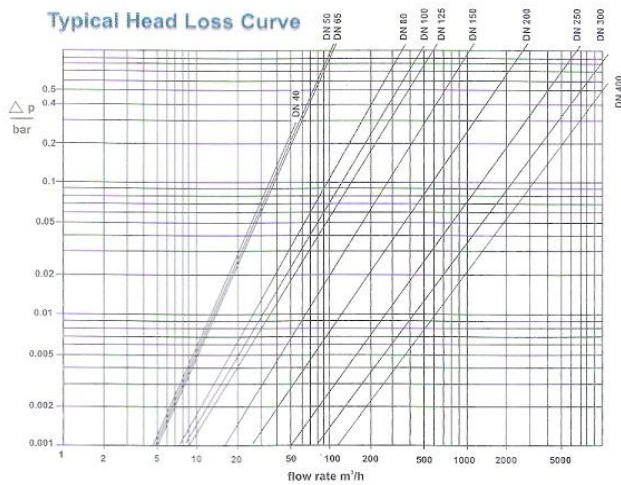
Performance Table as per ISO 4064/1 of 1993 Class B

Size of Meter	mm	50	65	80	100	150	200	250	300	400	500	600	
Q_{max}	maximum peakflow (few minutes) $\pm 2\%$	m^3/h	30	50	80	120	300	500	800	1200	2000	3000	5000
Q_n	nominal flow $\pm 2\%$	m^3/h	15	25	40	60	150	250	400	600	1000	1500	2500
Q_t	transitional flow $\pm 2\%$	m^3/h	3	5	8	12	30	50	80	120	200	300	500
Q_{min}	minimum flow $\pm 5\%$	m^3/h	0.45	0.75	1.20	1.80	4.50	7.50	12.00	18.00	30.00	45.00	75

Performance Table as per ISO 4064/1 of 2005

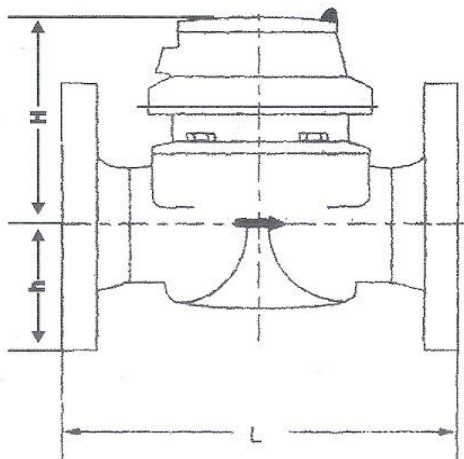
Size of Meter	mm	50	65	80	100	150	200	250	300	400	500	600	
Q_{max}	maximum peak flow (few minutes) $\pm 2\%$	m^3/h	31.25	50	78.75	125	312.5	500	787.5	1250	2000	3125	5000
Q_n	nominal flow $\pm 2\%$	m^3/h	25	40	63	100	250	400	630	1000	1600	2500	4000
Q_t	transitional flow $\pm 2\%$	m^3/h	1.27	2.03	3.2	5.08	12.7	20.32	32	50.8	81.28	127	203.2
Q_{min}	minimum flow $\pm 5\%$	m^3/h	0.795	1.27	2	3.175	7.94	12.7	20	31.75	50.8	79.36	127

Typical Head Loss Curve



Q_{max} = maximum peak flow $\pm 2\%$
 Q_n = continuous flow $\pm 2\%$
 Q_t = transitional flow $\pm 2\%$
 Q_{min} = minimum flow $\pm 5\%$

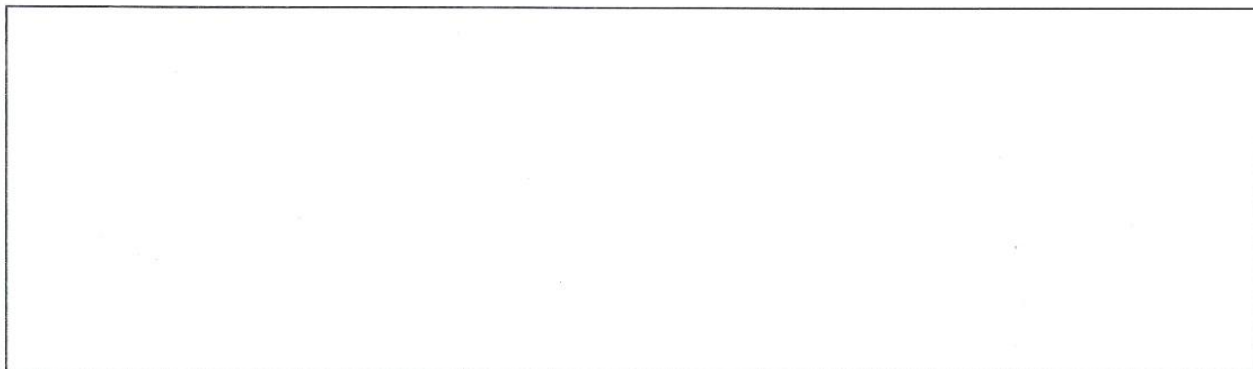
Dimension Picture



Dimensions & Weights

Size of Meter		DN	50	65	80	100	150	200	250	300	400	500	600
Dimensions	Overall length	L mm	200	200	225	250	300	350	450	500	600	800	1000
	height	H mm	120	120	150	150	177	206	231	256	365	412	470
		h mm	73	85	95	105	135	162	194	226	282	335	390
Weights	meter	kg	9.0	12.0	15.0	20.0	34.0	52.0	90.0	110.0	170.0	400.0	550.0
Test Pressure		PN bar (Max)	16	16	16	16	16	16	16	16	16	16	16

Flanges drilled as per IS : 1538 unless otherwise specified



CAPSTAN METERS (INDIA) LTD.

ISO 9001 : 2000 COMPANY