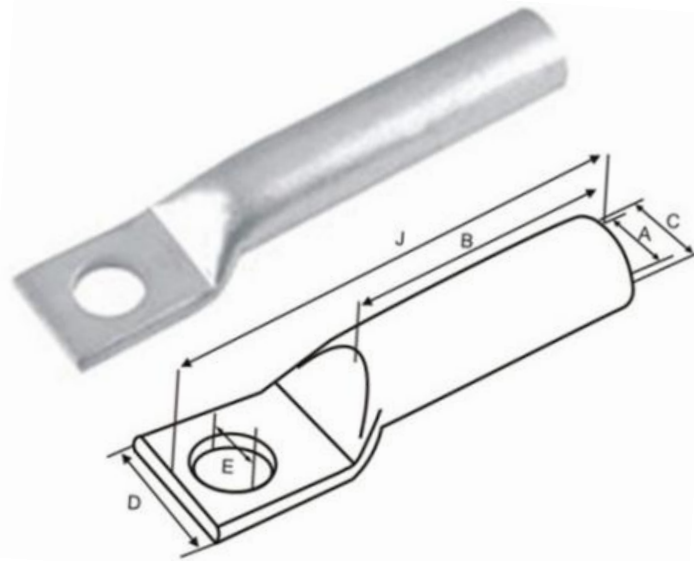


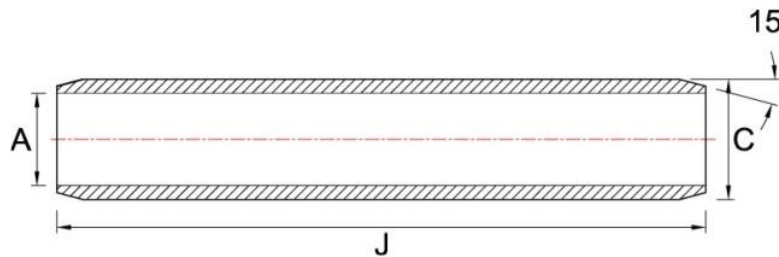
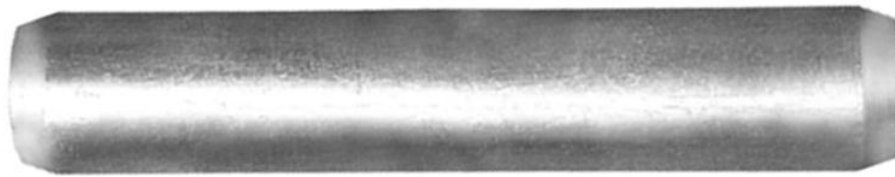
## Crimping Type Heavy Duty Aluminium Long Barrel Lugs



Area mm <sup>2</sup>	E	A	C	D	F	B	K	H	G	J	CAT No.
25	8.2	7.2	9.6	14.0	2.4	41	7	12	9	69	CAI-XL17
35	8.2	8.3	11.1	16.0	2.8	50	7	11	11	79	CAI-XL18
50	10.2	10.1	13.5	19.5	3.4	49	8	13	11	81	CAI-XL19
70	10.2	10.2	14.5	20.5	4.3	62	8	13	13	96	CAI-XL20
95	12.7	12.0	16.9	23.5	4.9	73	8	14	14	109	CAI-XL21
120	12.7	13.7	19.0	26.5	5.3	73	11	15	15	114	CAI-XL22
150	12.7	15.1	21.1	29.5	6.1	83	11	17	17	128	CAI-XL23
185	12.7	16.6	23.9	33.0	7.3	83	12	18	18	131	CAI-XL24
225	12.7	18.6	26.1	36.0	7.5	86	14	20	20	140	CAI-XL25
240	12.7	19.3	27.2	37.5	7.9	86	14	22	22	144	CAI-XL26
300	20.3	21.8	30.2	42.0	8.4	89	14	27	27	157	CAI-XL27
400	20.3	25.0	34.8	48.0	9.8	113	13	30	30	187	CAI-XL28
500	20.3	28.2	39.1	54.0	10.9	125	15	32	32	205	CAI-XL29
630	20.3	31.7	44.4	61.0	12.7	140	16	34	34	225	CAI-XL30
800	20.3	35.7	49.5	68.0	13.8	147	25	39	39	250	CAI-XL31
1000	20.3	41.0	56.0	77.5	15.0	160	30	45	45	280	CAI-XL32

\*We reserve the right to make any technical changes or modify the content.

## (In-Line Connectors) Aluminium Heavy Duty Long Barrel Ferrule



Area mm <sup>2</sup>	A	C	J	CAT No
25	7.2	9.6	82	CAI-XL1
35	8.3	11.1	90	CAI-XL2
50	10.1	13.5	100	CAI-XL3
70	10.2	14.5	104	CAI-XL4
95	12.0	16.9	108	CAI-XL5
120	13.7	19.0	112	CAI-XL6
150	15.1	21.2	116	CAI-XL7
185	16.6	23.9	128	CAI-XL8
225	18.6	26.1	136	CAI-XL9
240	19.3	27.2	148	CAI-XL10
300	21.8	30.2	160	CAI-XL11
400	25.0	34.8	182	CAI-XL12
500	28.2	39.1	190	CAI-XL13
630	31.7	44.4	200	CAI-XL14
800	35.7	49.5	225	CAI-XL15
1000	41.0	56.0	250	CAI-XL16

\*We reserve the right to make any technical changes or modify the content.