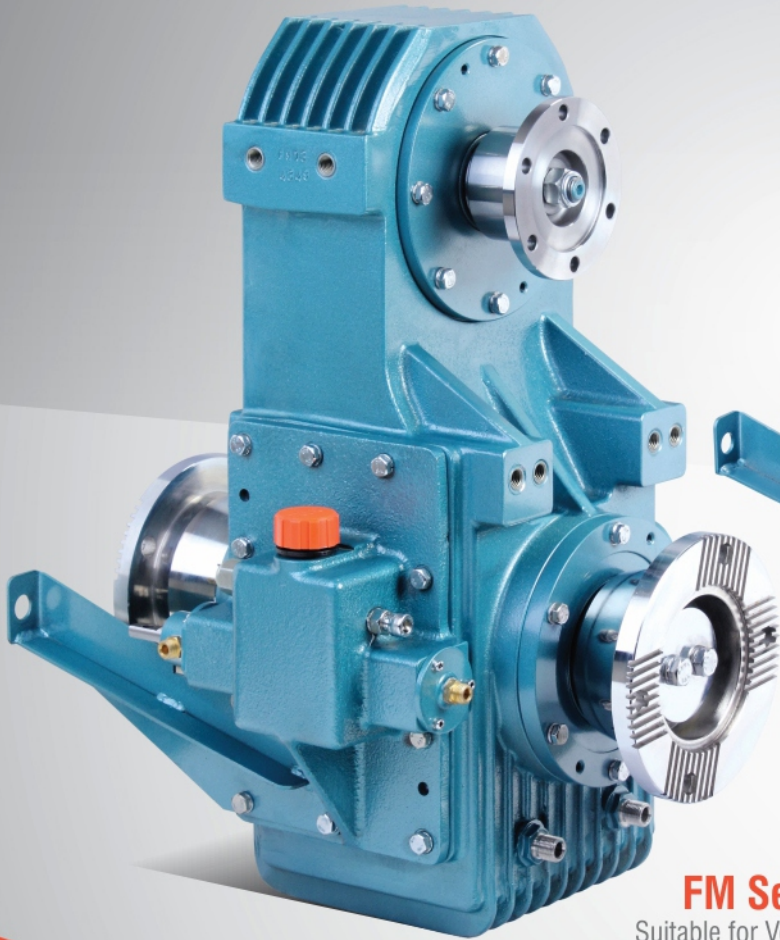


DEPENDABLE **PTO**  
IN **AFFORDABLE PRICE**



**FM Series**  
Suitable for Vehicles  
upto 300 HP



**LM Series**  
Suitable for Vehicles  
upto 160 HP



**FireHawk**  
Power Take Off for Fire Tenders

### Why 'FireHawk' PTO Only?

- Oil lubricated oversized bearings make PTO stronger
- Silent in operation
- Excellent inter changeability of all components
- Perfectly designed mounting pads reduce vibration levels
- Front & rear bearing/ bearing caps can be removed without removing the PTO from the vehicle
- Flanges to suit any vehicle are available
- Excellent workmanship
- Excellent & prompt service / spares back up



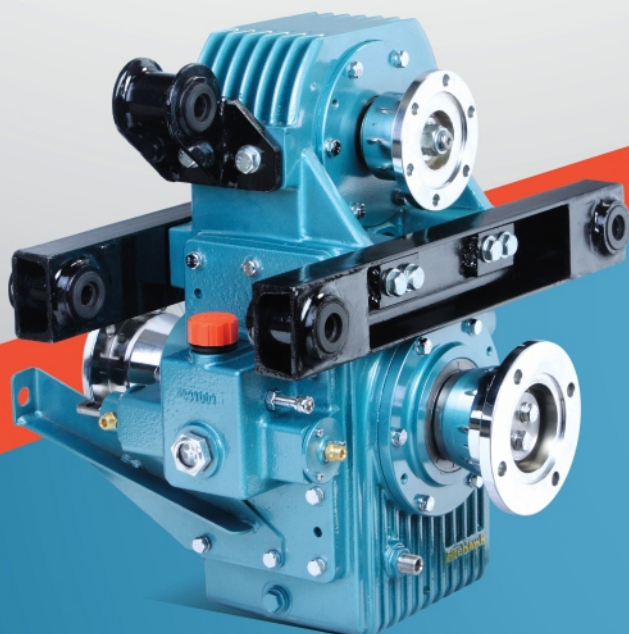
AN ISO 9001 : 2008  
CERTIFIED COMPANY

SPECIFICATIONS	FM SERIES	LM SERIES
<b>Gear case</b>	Single casing, High Strength Aluminium Alloy ( As standard ) Cast Iron Casing available as optional*	Single casing, High Strength Aluminium Alloy (As standard) Cast Iron Casing available as optional*
<b>Gears</b>	Helical gears; Forged from special alloy steel, case hardened & ground for smooth operations	Spur gears; Forged from special alloy steel, case hardened & ground for smooth operations ( Helical Gears available as optional* )
<b>Bearings</b>	Oil lubricated oversized bearings make the PTO stronger, silent in operation & operate at low temperatures	Oil lubricated oversized bearings make the PTO stronger, silent in operation & operate at low temperatures
<b>Oil Seals</b>	High quality double lip oils seals which give you virtually leak proof operations for extended periods, thus eliminating frequent oil check ups	High quality double lip oils seals which give you virtually leak proof operations for extended periods, thus eliminating frequent oil check ups
<b>Cooling System</b>	In built water cooling system	In built water cooling system
<b>Gear Shifting Mechanism</b>	Combined air controlled and manual over ride gear shifting mechanism as standard	Combined air controlled and manual over ride gear shifting mechanism as standard
<b>Available Ratios</b>	1:1.17, 1:1.31, 1:1.48, 1:1.62	1:1.33, 1:1.48 (other ratios are available on request)

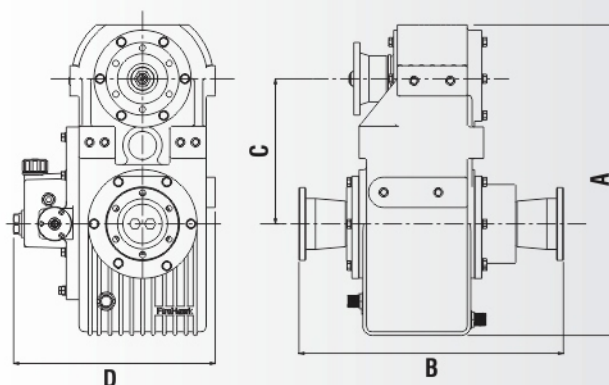
Important : Torque, Load Carrying Capacity & Power (HP) of the vehicle shall be properly considered while selecting the PTO model OR You may contact FireHawk expertise for selection of PTO.

#### ADVANTAGES OF PTO RUBBER MOUNTS

- Isolates the chassis from PTO & driveline Vibrations.
- Makes PTO mounting on chassis easy & time saving.
- Mounting is rigid but at the same time it gives cushion for sudden driveline jerks.
- Makes unloading & loading of PTO from chassis very easy if required for maintenance.
- Smaller misalignments in driveline are taken care of.
- Loosening of propeller shaft bolts/PTO mounting bolts while in use is completely eliminated.
- Rubber mounts can be easily replaced in case of wear & tear thereby keeping original PTO alignment intact.



#### Overall Dimensions



DIMENSION	LM SERIES	FM SERIES
A	512	594
B	436	443
C ( Mean )	239*	305*
D	333	322

Note : Distance 'C' may vary with Gear ratio

#### FIREFLY FIRE PUMPS PVT. LTD.

C-6, C-7, MIDC, GOKUL SHIRGAON,  
KOLHAPUR - 416234 ( M.S.) INDIA.

P +91 231 2671527, 2672359

F +91 231 2671061

E sales@fireflypumps.com

[www.fireflypumps.com](http://www.fireflypumps.com)

\*Prices may vary depending upon your choice of selection

\*Our policy is one of continuous development. We therefore reserve the right to amend specifications without prior notice  
Pictures shown in the pamphlet do not necessarily depict details as may be described by & incorporated in a quotation