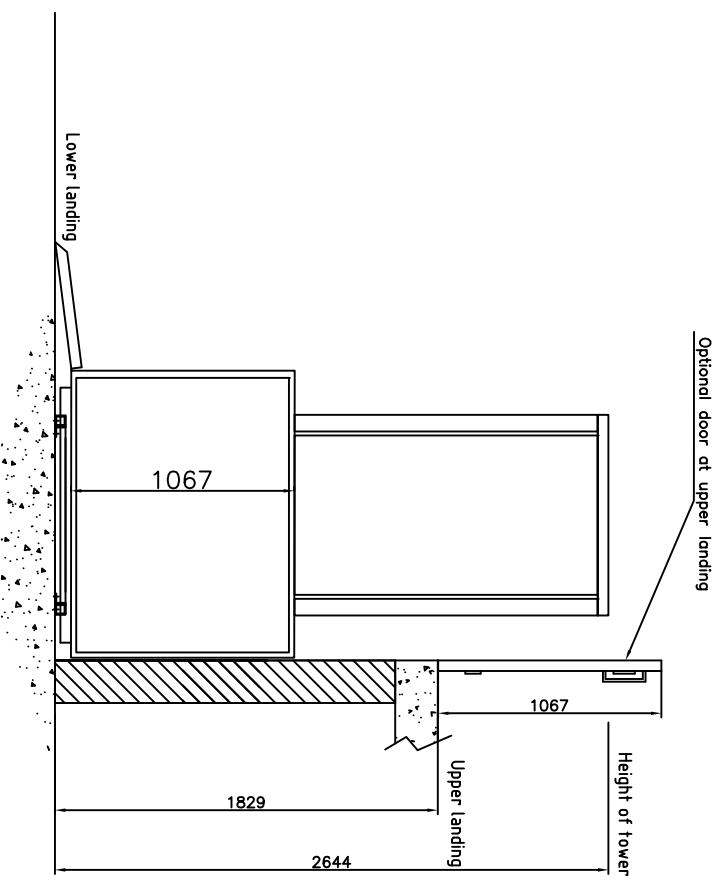
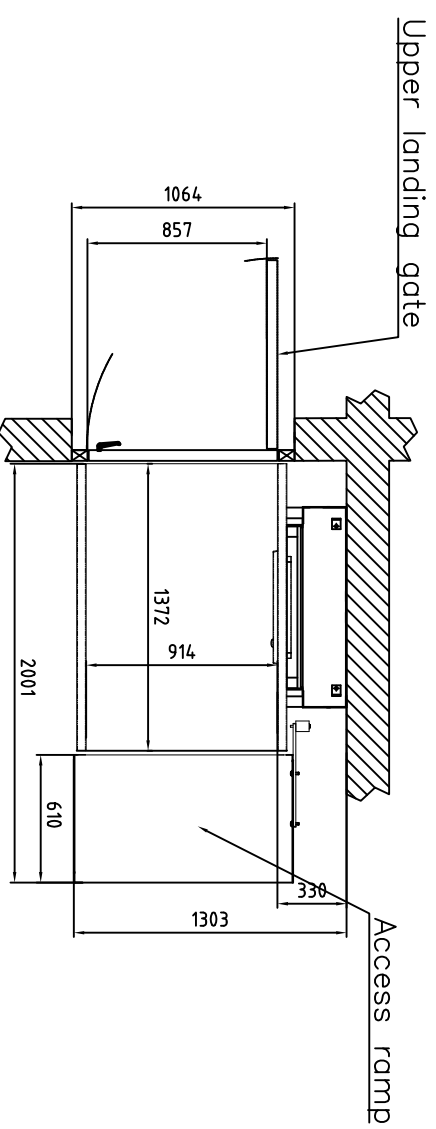


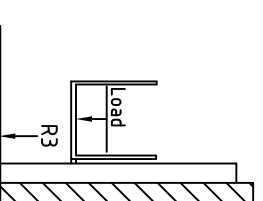
Side view Elevex Typ 2



Top view Elevex Typ 1 and 2

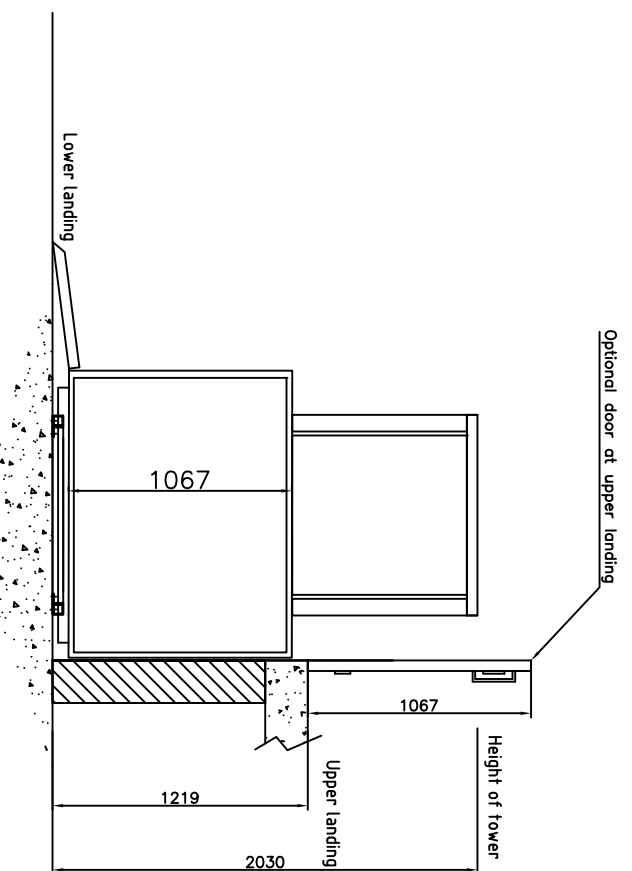


Load

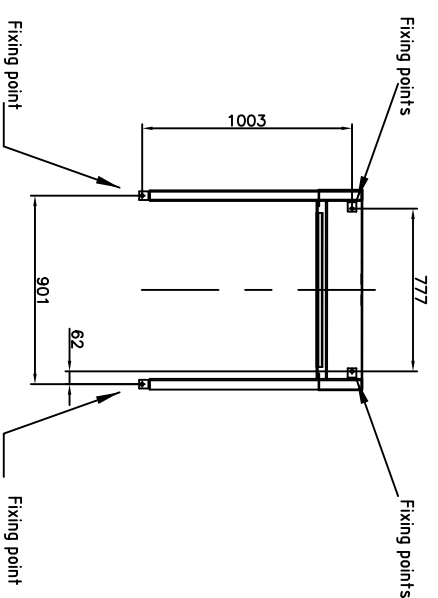


R3: 1360 kg (13.3kN) x Load

Side view Elevex Typ 1



4 fixing points



Load max	340 kg	Power supply	1 x 230 V
Height	1219 / 1829 mm	Speed	0.04 m/s
Drive system	ACME Screw drive	Power	0.75 kW

Index	Daumen	Name	Art der Änderung

Dimension sheet

ELEVEX 1 & 2