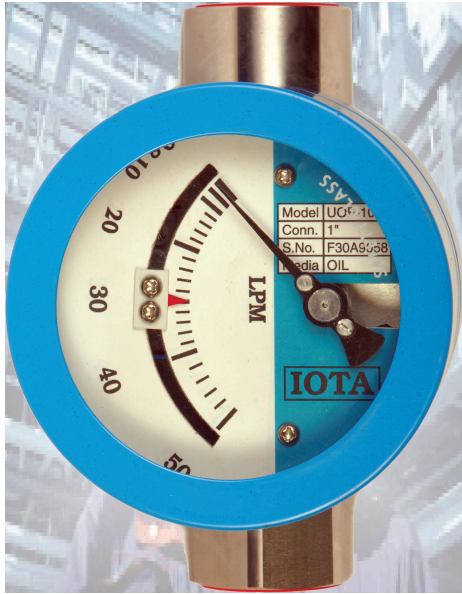
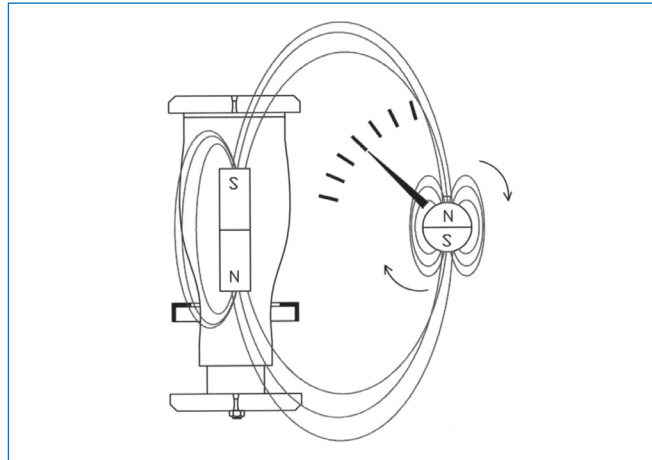


# METAL TUBE FLOW METER

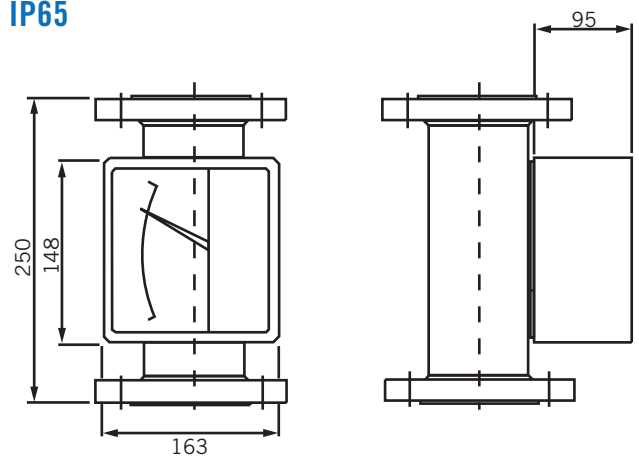


## Principle

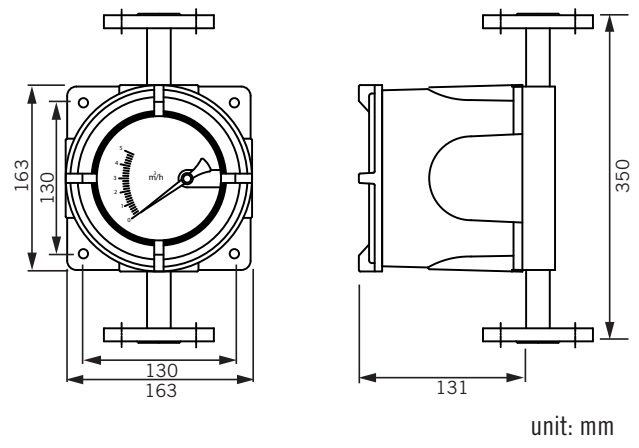


## Dimensions

### IP65



### Explosion Proof



## Technical Data

**BF300 for High flows of gases, liquid and steam**

**Material:** Aluminum alloy case with paint.

**Body wetted parts:** in SS316, PTFE lined, plastic. Others on request.

Indication via magnetic coupling (no sealed)

**Scales calibrated:** in l/h, m<sup>3</sup>/h, kg/h, %, etc.

**Flow rates for:**

- Water/Liquid : 30 l/h up to 150,000 l/h.  
(special ranges on request)
- Air : 0.1 Nm<sup>3</sup>/h up to 450 Nm<sup>3</sup>/h.  
(special ranges on request)

**Connection types:**

- flange type, trip clamp & sanitary  
(others on request)

**Connection size:** 1/2" ~ 6"

**Mounting Length:** 250 mm, standard;  
350 mm, explosion proof

**Temperature:** 200°C(300°C option)

**Housing protection:** IP65/ IP67 or Explosion Proof, CLASS I, GROUPS B, C & D; CLASS II, GROUPS E, F, & G; NEMA 4, 7, 9

**Accuracy:** ±2% FS, (±1.6 F.S Option)

**Max pressure:** 40 kg/cm<sup>2</sup> (standard)  
(Option: up to 100 kg/cm<sup>2</sup>)

**Option:** Switch available (Micro Switch : 3A/250VAC, 5A/30VDC, 0.4/125VDC), Adjustable inductive alarm switch available, 4~20 mA two wires analog output available



## Standard Scales

Tube	L/H 20°C Water	NM <sup>3</sup> /H Air 20°C 1.013bar	PmmWater	Connection
I03001	4 ~ 30	0.1 ~ 1	≤750	1/2"
I03002	4 ~ 40	0.13 ~ 1.3	≤750	1/2"
I03003	5.5 ~ 55	0.17 ~ 1.7	≤750	1/2"
I03004	8 ~ 80	0.2 ~ 2	≤750	1/2"
I03005	16 ~ 160	0.5 ~ 5	≤750	1/2"
I03006	18 ~ 180	0.6 ~ 6	≤750	1/2"
I03007	30 ~ 300	1 ~ 10	≤750	1/2"
I03008	50 ~ 500	1.5 ~ 15	≤750	1/2"
I03009	60 ~ 600	1.8 ~ 18	≤750	1/2"
I03010	70 ~ 700	2 ~ 20	≤750	1/2"
I03011	100 ~ 1000	3 ~ 30	≤750	3/4"
I03012	120 ~ 1200	4 ~ 40	≤750	1"
I03013	160 ~ 1600	5 ~ 50	≤700	1"
I03014	200 ~ 2000	6 ~ 60	≤700	1"
I03015	240 ~ 2400	7 ~ 70	≤700	1"
I03016	280 ~ 2800	8.5 ~ 85	≤700	1"
I03017	320 ~ 3200	9 ~ 90	≤700	1"
I03018	350 ~ 3500	10 ~ 100	≤700	1"
I03019	500 ~ 5000	14 ~ 140	≤650	1½"
I03020	600 ~ 6000	15 ~ 150	≤650	1½"
I03021	700 ~ 7000	20 ~ 200	≤650	1½"
I03022	800 ~ 8000	24 ~ 240	≤650	1½"
I03023	1000 ~ 10000	30 ~ 300	≤650	2"
I03024	1200 ~ 12000	35 ~ 350	≤650	2"
I03025	1400 ~ 14000	40 ~ 400	≤650	2"
I03026	1500 ~ 15000	45 ~ 450	≤1000	2"
I03027	1800 ~ 18000	60 ~ 600	≤800	2½"
I03028	2000 ~ 20000	75 ~ 750	≤800	2½"
I03029	2300 ~ 23000	90 ~ 900	≤850	3"
I03030	2500 ~ 25000	120 ~ 1200	≤1000	3"
I03031	2800 ~ 28000	-----	≤1100	3"
I03032	3000 ~ 30000	-----	≤1200	3"
I03033	4000 ~ 40000	-----	≤1000	4"
I03034	5000 ~ 50000	-----	≤1000	4"
I03035	8000 ~ 80000	-----	≤1200	5"
I03036	10000 ~ 100000	-----	≤1500	6"

Note: Maximum Flow Range: Up to 150000 LPH for liquid in special case

### NOTE

Performance Technical Data are effective with date of issue and are subject to change without prior notice.

## IOTA MAKE METAL TUBE VARIABLE AREA FLOW METER Ordering Information

RM		XXX	X	X	X	X	X	X	X
Size	DN10 to DN 200 refer Table 12								
	Metal Tube	M							
Body Material	SS 304	S1							
Process	SS 316	S							
	MS Flange		M						
	SS 304 Flange		F						
	SS 316 Flange		G						
	TC end (SS 316)		T						
Connection	Carbon Steel Flange		C						
	Wafer end		W						
Pressure	6 bar				B				
	10 bar				N				
	16 bar				P				
Rating	60 bar				M				
Service	Air				A				
	Water				W				
	Oil				O				
	CO2				L				
	Ammonia				I				
	Solvent				S				
	LPG				P				
	Veg Oil				V				
Power Supply	220 VAC 50 Hz						1		
	24 VDC						2		
Output	Flow volume 4-20 mA DC / 2 Wire Electrical						B		
Protection	IP65								1
	IP67								2
Class	IP68								3



**IOTAFLOW**  
SYSTEMS PVT. LTD.

BE-200, Lane No. 6, Hari Nagar, New Delhi - 110064

Tel : 91-11-25127461, 25496072, 45510992 Fax : 91-11-45510993

Cel.: 9810269366 9810589043

e-mail: dynamic6@vsnl.com; contact@ues.net.in

Please visit us at [www.ues.net.in](http://www.ues.net.in) [www.iotaflow.com](http://www.iotaflow.com)